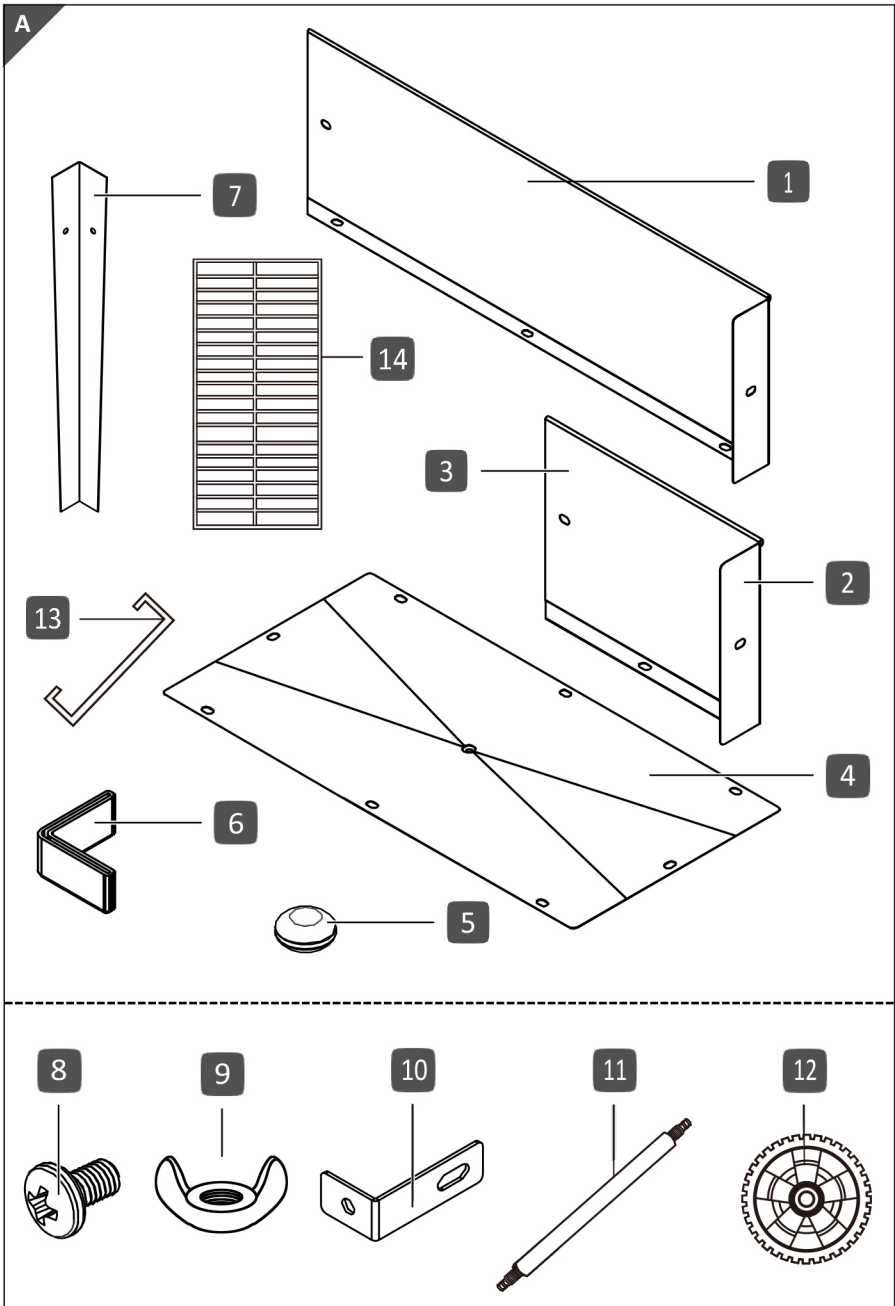


Package contents



Components

- 1 Long side panel, 2×
- 2 Tab (short side panel)
- 3 Short side panel, 2×
- 4 Bottom panel
- 5 Drain plug
- 6 Foot cap, 4×
- 7 Leg, 4×

Supplied connection elements

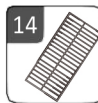
- 8 Short screw, 16×
- 9 Nut, 16×
- 10 Hanger, 4×
- 11 Axle, 1×
- 12 Wheels, 2×

Accessories

- 13 Puller

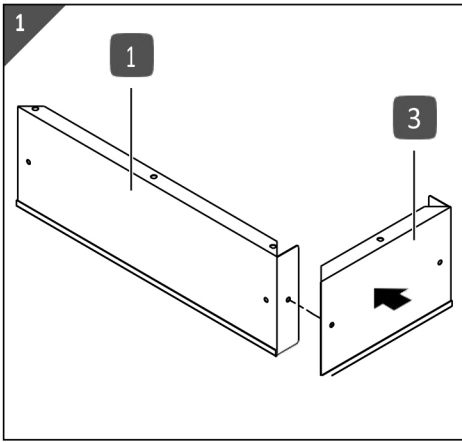


- 14 Bottom shelf



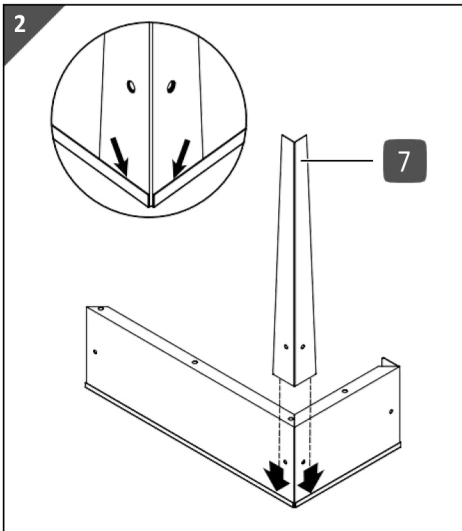
1 Assembling the side panels

Step 1.1: Arranging the long and short side panels



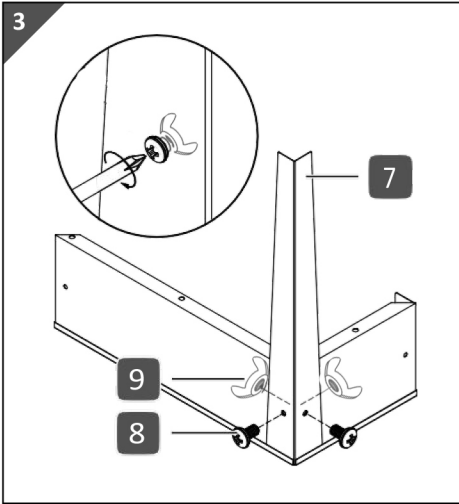
1. Align the holes of one short side panel **3** with the holes of one long side panel **1**, as shown in the illustration.
2. Repeat the step for the second short side panel and the second long side panel.

Step 1.2: Fixing the side panels in place



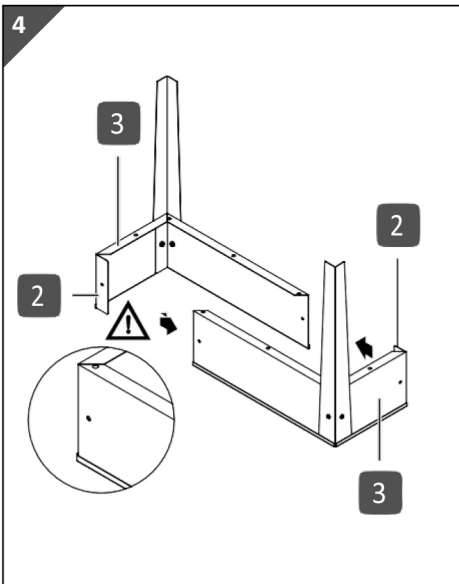
1. Place a leg **7** on the edge to fix the side panels in place. Make sure that you insert the leg into the notch on the side panels.
2. Fix the second pair of side panels in place by repeating the step above.

Step 1.3: Screwing the leg in place



1. Attach the leg **7** using two short screws **8** and two nuts **9**.
Use the wrench **14** to tighten the nuts and the Phillips head screwdriver **13** to tighten the screws.
2. Screw the second leg to the second pair of side panels repeating the step above.

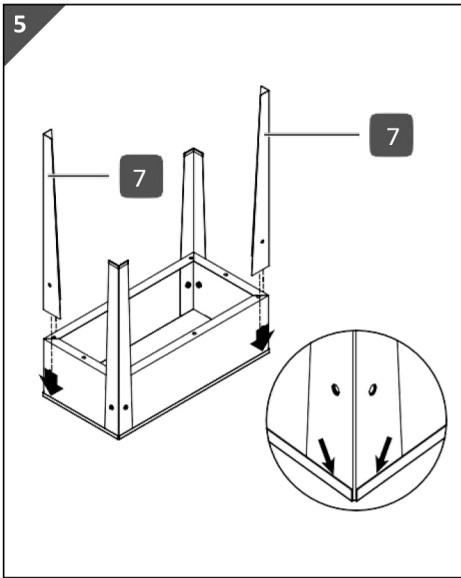
Step 1.4: Joining the side panel halves



- Attach the side panel pairs to each other.
Make sure that the tab **2** on the short side panel **3** is positioned on the inside.

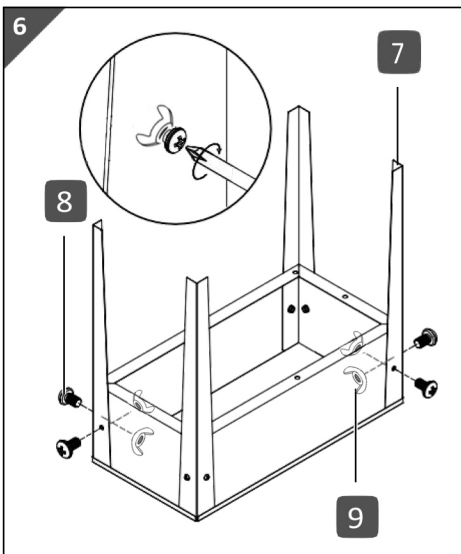
2 Assembling the remaining legs

Step 2.1: Fixing the side panels in place



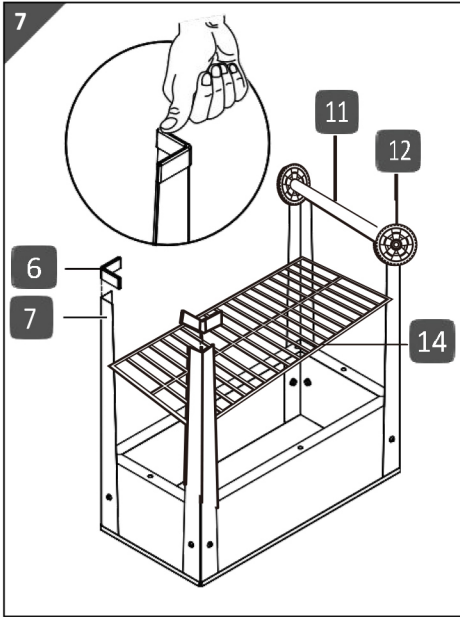
- Fix the side panel pairs in place by placing one leg **7** on each edge. Make sure that you insert the leg into the notch on the side panels.

Step 2.2: Screwing the legs in place



- Attach the legs **7** using two short screws **8** and two nuts **9** each.

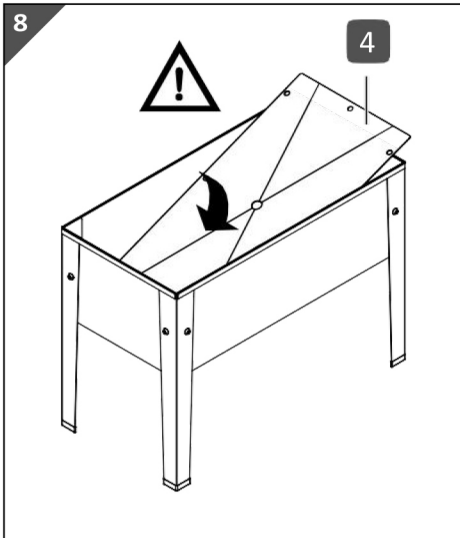
Step 2.3: Attaching the foot caps



1. Put a foot cap **7** on each leg **6**
2. Firmly press down the foot caps.
3. Flip the product over and place it on its legs.
4. Connect wheels **12** and axle **11**
5. **Install the shelf **14****

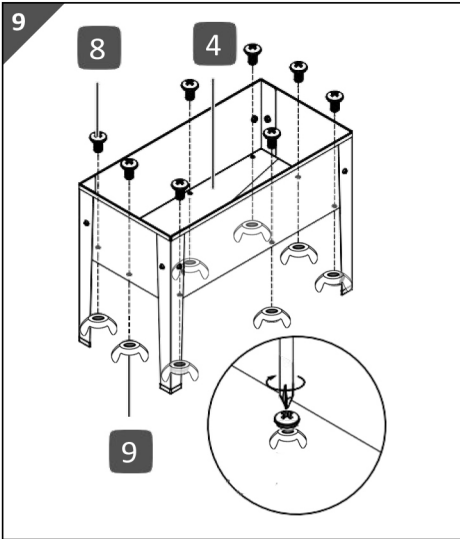
3 Assembling the bottom panel

Step 3.1: Inserting the bottom panel



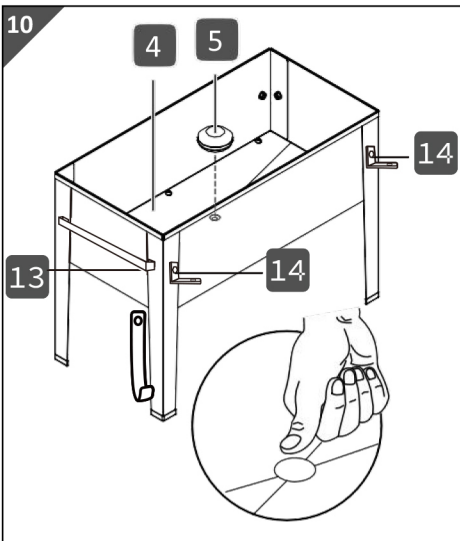
- Insert the bottom pane **4** into the product.
Make sure that the base panel's curved part is facing downwards to ensure that water can drain off later.

Step 3.2: Screwing the bottom panel in place



- Use eight short screws **8** and eight nuts **9** to secure the bottom panel **4** in place.

Step 3.3: Closing the water drain



- Insert the drain plug **5** into the hole of the bottom panel **4** to close the water drain when required.
- Screwing the puller **13**
- Screwing the hanger **14**



Only a few plants can handle having their roots waterlogged. Leave the hole open if you plant directly in the product's basin.

Cleaning

NOTICE!

Risk of damage!

Handling the product improperly may damage the product.

- Do not use any aggressive cleaners, brushes with metal or nylon bristles, or sharp or metallic cleaning utensils such as knives, hard scrapers and the like. They could damage the surfaces.

The product is made of weather- and frost-resistant materials.

- Use a soft damp cloth to remove any dirt.
- Remove stubborn dirt with water and a neutral detergent.

Maintenance

Loose screw connections lead to impaired safety and a risk of injury.

- Check all screw connections regularly and tighten them if necessary.

Storage

All parts must be completely dry before being stored.

– Store the product in a dry place and away from direct sunlight.

Technical Specifications

Item number: ZY2053/ZY2054

Dimensions (W × D × H):

ZY2053: approx. 39.3 × 10.63 × 31.5" (100 × 27 × 80 cm) (+/- 5 %)

ZY2054: approx. 23.62 × 10.63 × 17.71" (60 × 27 × 45 cm) (+/- 5 %)

Weight:

ZY2053: approx. 16.314 lb (7.4 kg) (+/- 5 %)

ZY2054: approx. 8.598 lb (3.9 kg) (+/- 5 %)

Max. filling capacity:

ZY2053: approx. 5.28 gallons (20 liters)

ZY2054: approx. 11.89 gallons (45 liters)