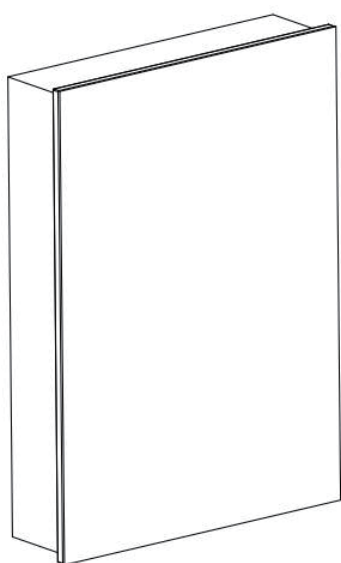
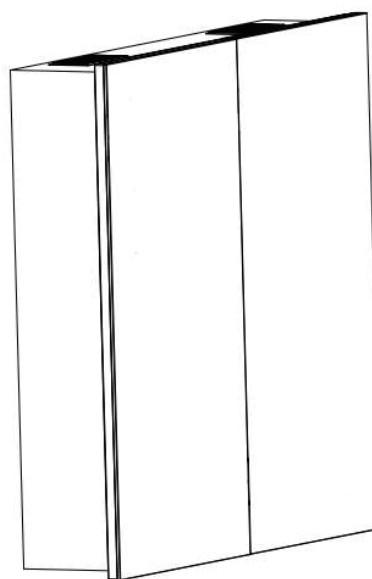


# USER'S MANUAL



DM0356



DM0357

## MIRROR CABINET WITH LED LIGHTING

OPTIONAL FUNCTION WITH SENSOR SWITCH/ TOUCH SWITCH/ ROCKER  
SWITCH/ANTI-FOG/DIGITAL CLOCK/ BLUE BOOTH SPEAKER/

\*Frost pattern may vary depending on model

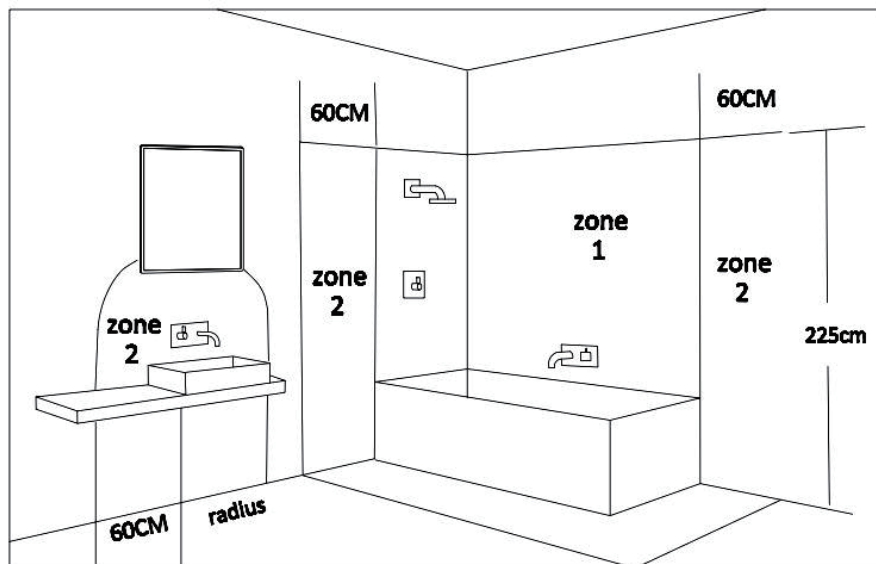


Please read this manual carefully before installation and keep it properly.  
Installation should be carried out by a qualified electrician.  
Make sure the power supply is disconnected before installation.

# WARNING

## IMPORTANT FOR INSTALLATION IN BATHROOM

- This product is suitable for installation in bathroom zones 2 and above as defined by the IEE Wiring Regulations. Please refer to the diagram provided below.



- This product is for indoor use only.
- This product requires a ground connection.
- This product is designed for wall mounting and must be securely fastened to a solid wall, including a clay brick wall, laminate or wood frame.
- Ensure that all connections are switched off at the electrical appliance or fuse board prior to installation or maintenance.
- Maintain a minimum distance of 150mm between the infrared sensor and any neighbouring worktop, obstruction or barrier to ensure that the sensor switch operates correctly. (For models with sensor switch, see Section 1.4).
- Use a suitable platform when working at height.
- Confirm that the chosen fixing position can support the weight of the entire luminaire.
- Wear appropriate goggles when drilling holes. Take extra care when operating power tools near water sources.
- Before installation, check whether there are any cables or pipes (e.g. gas or water) near the intended installation point.
- For ease of installation, it is recommended that one or two additional persons be arranged to assist.
- If the wall surface is irregular, installation may result in deformation of the product body. If necessary, use shims between the product body and the wall.

---

## **IMPORTANT FOR THE MIRROR**

- Never strike the mirror glass with hard or sharp objects.
- Wipe the product with a soft, dry, non-abrasive cloth for best results.
- Never use detergents or abrasive materials on the mirror's finished surface or exposed edges.
- Avoid detergents containing ammonia, vinegar or chlorine.
- Ensure that moisture does not come into contact with electrical components.
- Avoid using powdered detergents or steel wool balls.
- Apply detergent to a soft cloth and wipe the mirror. Dry the mirror thoroughly.
- Keep mirrors and sumps or cabinets dry and clean.
- Proper ventilation of the bathroom is very important.

## **NOT SUITABLE IN THE FOLLOWING SITUATION...**

- Improper use, installation or tampering.
- Lack of maintenance or improper maintenance.
- Use of unsuitable cleaning products or incorrect cleaning methods.
- Damage caused by chemical, electrical or electrochemical sources.
- Incorrect power connection or use of incorrect voltage.
- Damage caused by hard or sharp objects.

To reduce the environmental and health risks associated with uncontrolled waste disposal, keep this product separate from other types of waste and recycle it responsibly at your local recycling facility. Please consult your local authority, recycling centre or retailer for recycling guidance.  
Thanks.

## **FOR THE FIRST TIME...**

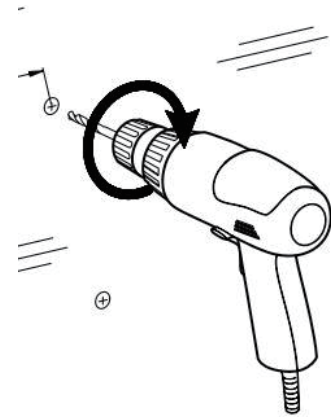
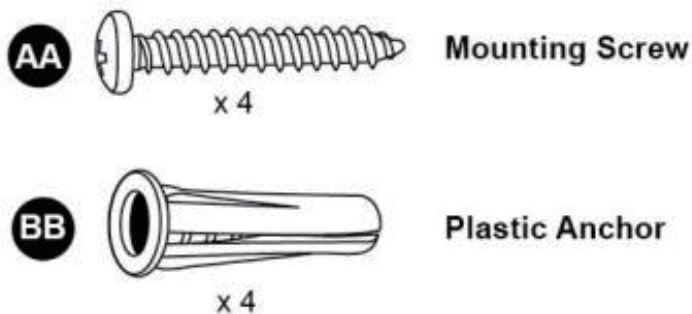
- Carefully remove the product from its packaging, avoiding sharp objects scratching the glass.
- Dispose of the packaging and ensure that plastic bags are kept away from children.
- Keep cabinet components safely to one side while preparing the installation/mounting area.

# BEFORE YOU START

1. Check the wall to be installed carefully:

- a. Ensure that the wall is structurally sound, e.g. a strong and level clay brick wall, or a wall/frame that has been approved by a professional as meeting the installation criteria.
- b. Confirm that the wall is flat, sound, free of cracks, and within the expected quality life for the installation.
- c. Closely monitor wall conditions during drilling. If cracks appear, stop drilling immediately. If mounting accessories are damaged or have failed, replace them with suitable, qualified accessories before proceeding with the installation.

2. Thoroughly inspect the accessory mounting kit and mounting components to ensure they are in good condition. If any of the accessories are damaged or have failed, discard them and obtain suitable new accessories for installation.



3. A 6 mm diameter drill bit is required for the wall studs. Ensure that the diameter of the drilled wall hole does not exceed 6 mm. Insert the expansion screws and confirm that they are securely fixed in the holes without moving.

4. Check all screws carefully to make sure they are securely fastened to the wall. Make sure the mirror cabinet is hung securely before use.

# INSTALLATION GUIDE

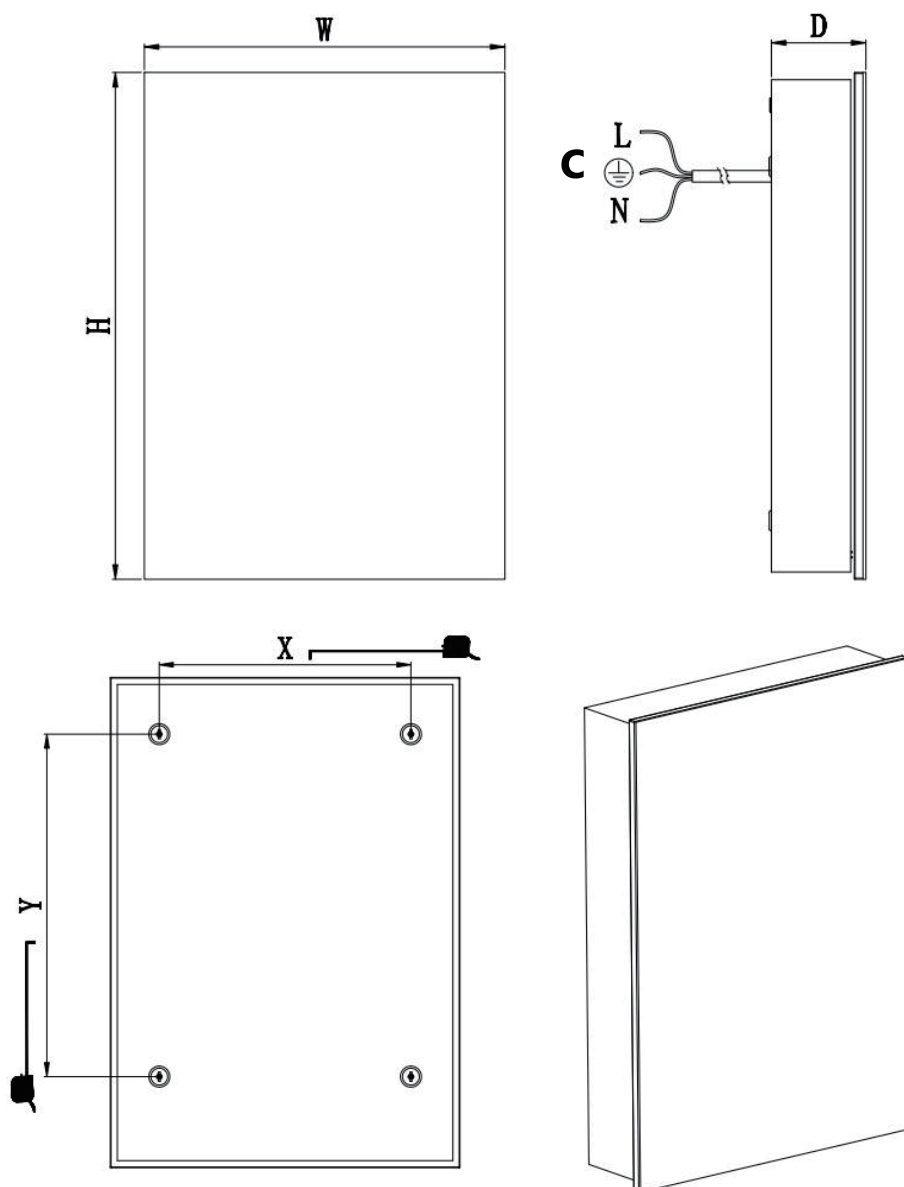
## 1. POSITIONING

1.1 Before installation, confirm that the specified wall is a load-bearing wall capable of supporting the weight of the cabinet. Ensure that any wiring in the wall is avoided when drilling to prevent damage during installation.

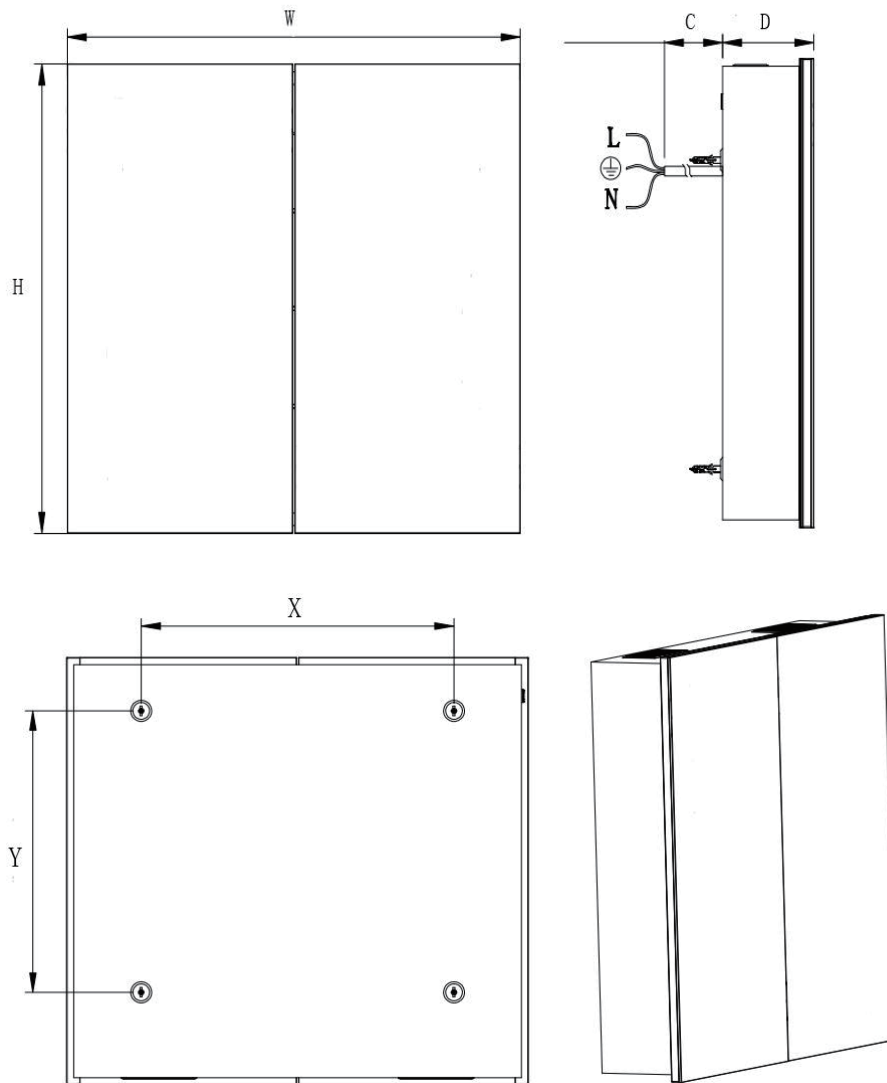
1.2 Measure the height and position of the cabinet on the wall. Use a level to ensure that the mounting plate is level, then mark the hole locations with a pencil.

1.3 Before drilling the holes, measure the X and Y distances between the midpoints of the brackets on the back of the bracket. Mark these positions on the wall. **Note that distances may vary depending on the model and size of the cabinet. This step is critical to ensure accurate placement of the bracket before drilling.**

## SINGLE DOOR CABINET



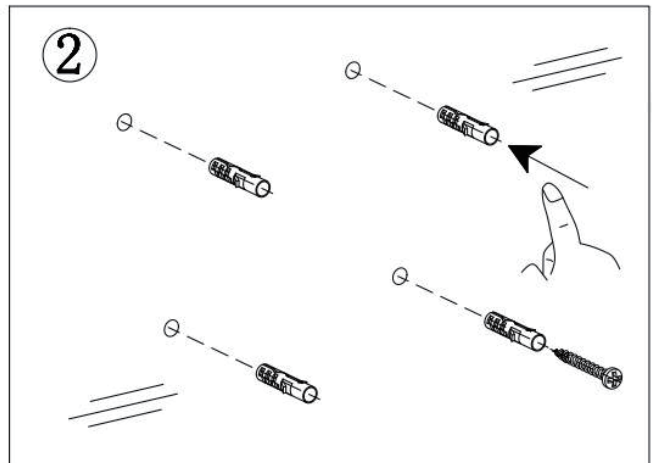
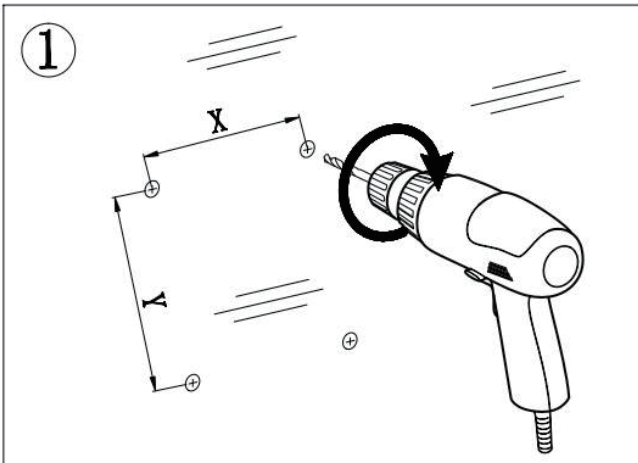
## DOUBLE DOOR CABINET



1.4. For models equipped with a sensor switch on the bottom right-hand side of the cabinet, **ensure a minimum distance of 150 mm from the wall on the sensor switch side.** Additional space may be required for different wall surfaces depending on the site conditions. It is recommended to carry out tests to determine the reaction distance of the sensor switch before positioning the cabinet and drilling holes in the wall.

## 2. FIX TO THE WALL

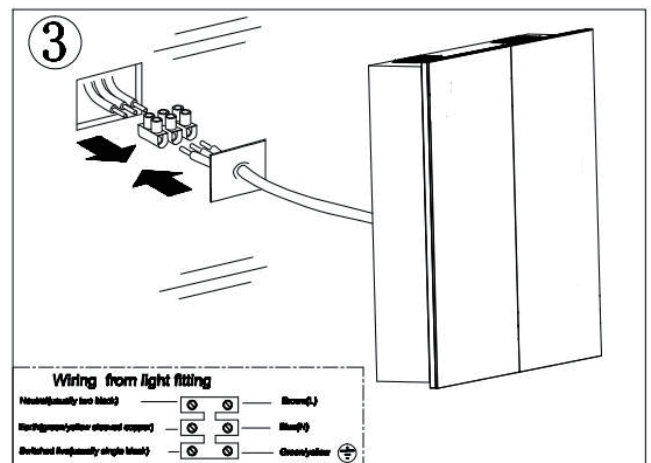
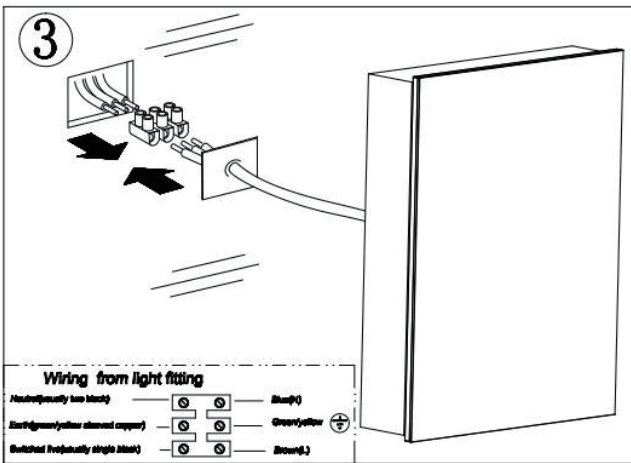
- 2.1 Mark the position on the wall.
- 2.2 Drill four holes in the wall at the marked positions.
- 2.3 Insert the expansion plug into the wall.



2.4 Connect the wires from the wall.

**SINGLE DOOR CABINET**

**DOUBLE DOOR CABINET**

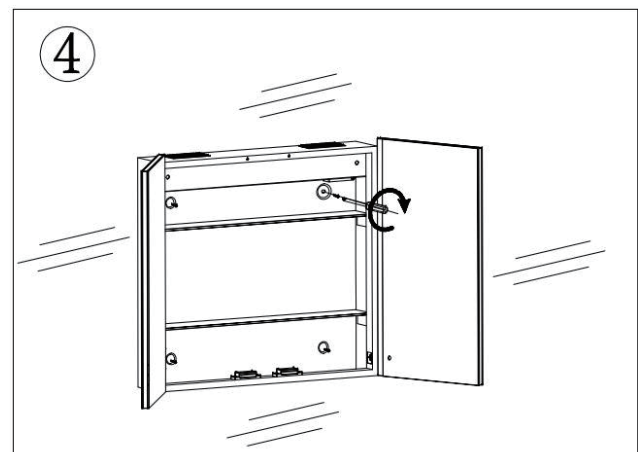
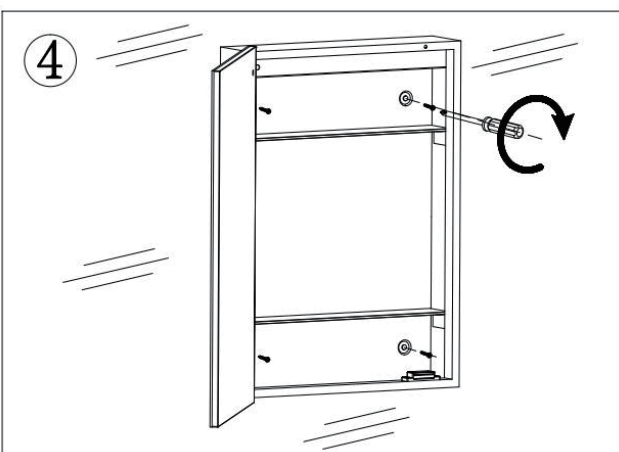


**\*Please refer to 3.1 content for electricity connecting details.**

2.5 Place the cabinet in the designated location and secure the cabinet by mounting the screws to the wall. Ensure that the screws are securely tightened and correctly positioned and confirm that the cabinet is securely fastened in place.

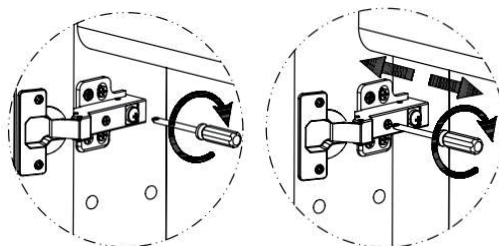
**SINGLE DOOR CABINET**

**DOUBLE DOOR CABINET**



## OTHER NOTES

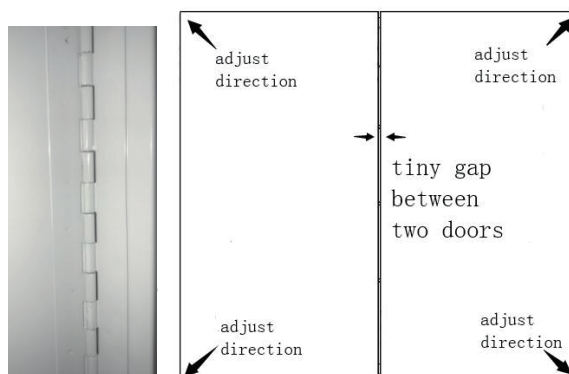
1. The doors and cabinet are assembled with hinges (hinges may vary by design). After prolonged transport, there may be slight displacement between the mirror door and the cabinet. Use a tool to adjust the soft hinges to ensure that the mirror door is in the correct position.



2. For two-door cabinets with piano hinges (as shown), there may be a slight gap between the two doors after transport.

3. Carefully remove the cabinet and place it on a clean, smooth surface.

4. Adjust the cabinet doors by hand to the position and orientation shown below. Gently press and adjust the door corners with appropriate force until they are again in the correct position.



5. If the gap is still unsatisfactory after adjustment, re-hang the cabinet on the wall and repeat Step 4 to adjust.

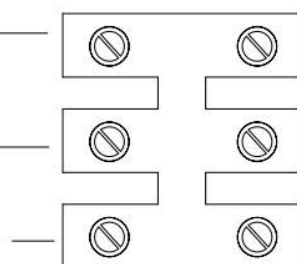
## WIRING FROM THE LIGHT FITTING

1. Correct wiring from the back of the cabinet.

**Neutral(usually two black)**

**Earth(green/yellow sleeved copper)**

**Switched live(usually single black)**



**Blue(N)**

**Green/yellow**

**Brown(L)**



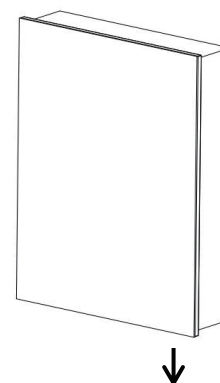
## LED LIGHTING SWITCHES

Different models of cabinets are equipped with different switches.

### 1. Sensor switch

The sensor switch is typically located on the bottom right side of the cabinet or under the bottom right side (varies by model). See Section 1.4 for sensor switch installation guidelines.

The LED light switch inside the cabinet turns the light on or off with the movement of your hand. The sensitivity of the switch may vary depending on the environment and personal habits. Please make several attempts to determine the proper speed of operation.

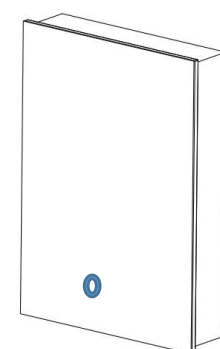


### 2. Touch Switches

The touch switch is usually located at the bottom of the mirror door (varies by model).

To operate the touch switch, simply touch the designated area to turn the light on or off. Sensitivity may be affected by environmental factors and individual usage habits. Practice different touch techniques to find the best method.

Note: In the bathroom, water vapour may cause the switch to activate, deactivate or become unresponsive automatically. It is recommended to keep the cabinet surroundings dry in the bathroom.



### 3. Rocker Switch

The rocker switch is usually located on the side of the cabinet (varies by model).

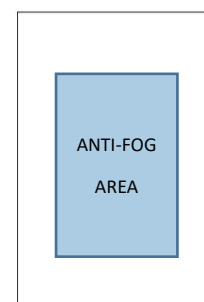
The rocker switch performs the on/off function by pressing a button.

Ensure that the rocker switch remains dry.

## ANTI-FOG FUNCTION (varies by model)

The demist pad is located in the centre of the single mirror and covers about 60-70% of the mirror surface. When the indicator light is on, it heats up to remove fog from the mirror.

When the cabinet is opened or closed, the LED light and the anti-fog function are activated or deactivated accordingly. When the LED light is switched on, it takes at least 10-15 minutes for the demist pad to clear the fog. To make effective use of the anti-fog function, switch on the LED light at least 10 minutes before use, or adjust as necessary.



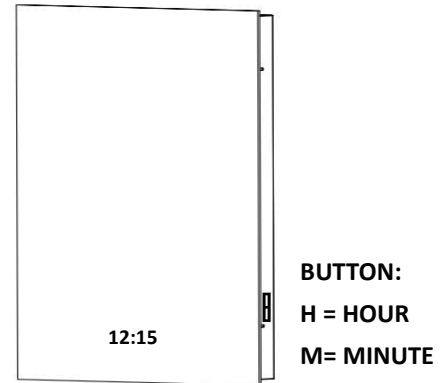
---

## TIME DISPLAY FUNCTION (for models with digital clock function)

**TIME DISPLAY BUTTONS:** Located on the right side of the mirror door, there are two buttons, one labelled "H" for hour setting and the other labelled "M" for minute setting.

1). Press and hold the "H" button for two seconds to activate the hour adjustment mode. The two digits on the left side will flash. Tap the "H" button to adjust the hour digit in the range 00 to 23. After three seconds of inactivity, the hour digit will be set.

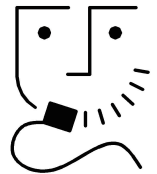
2). Press and hold the "M" button for two seconds to activate the minute adjustment mode. The two digits on the right will flash. Tap the "M" button to adjust the minute digits in the range 00 to 59. After three seconds of inactivity, the minute digits will be set. At this point, the time display setting is complete.



The clock/time function will continue to operate even if the lighting is switched off. It may need to be reset after 30 days of power failure or when required.

## SHAVER SOCKET 230 V, 0.1 A, 20 W MAX (for models with shaver socket)

The shaver receptacle is located inside the cabinet. When the cabinet is powered on, plug the shaver into the shaver socket. Please observe electrical safety when using the shaver socket. After use, remove the shaver and make sure the socket is dry and clean.



Before connecting the shaver to the cabinet, make sure that the shaver functions properly. Due to compatibility issues between different shavers, some shavers may not be suitable for use with the socket, this cannot be predicted or avoided. If necessary, try using another shaver.

**WARNING:** Danger! Do not use any device over 20W, such as a hair dryer, in this shaver socket as this may damage the appliances in the cabinet.

## BLUETOOTH SPEAKER (for models with Bluetooth speaker function)

The Bluetooth function is controlled by a sensing switch on the LEDs; when the LEDs are on, the Bluetooth function is activated. For models with touch control, the Bluetooth function is controlled by the touch button on the cabinet door mirror.

Bluetooth device pairing/connection: Activate the Bluetooth function on the Bluetooth device (mobile phone), scan and select the device labelled "ROYOHO M8003". An audible prompt confirms successful pairing. Once connected, music playback is controlled by the device and the volume can be adjusted using the device's volume buttons.

---

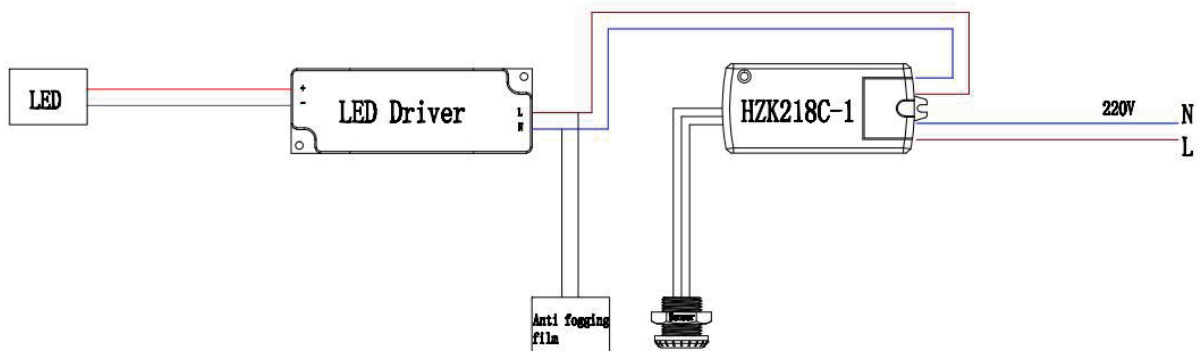
The theoretical range of the Bluetooth signal is  $\leq 7$  metres. However, the effectiveness of the Bluetooth signal may be affected by factors such as indoor wall obstructions, signal conditions, and the compatibility of connected devices in the installation environment. Therefore, the actual range may vary and should be determined by the specific environment.

If the Bluetooth device is out of Bluetooth range for more than 5-10 minutes, it may disconnect from the cabinet's Bluetooth connection. In this case, restart the Bluetooth function on the device and re-establish the connection with the ROYOHO M8003 unit. Alternatively, you can switch the LEDs off and on again, restart the Bluetooth function on the cabinet and try to reconnect the device. If the disconnection problem persists, please try again.

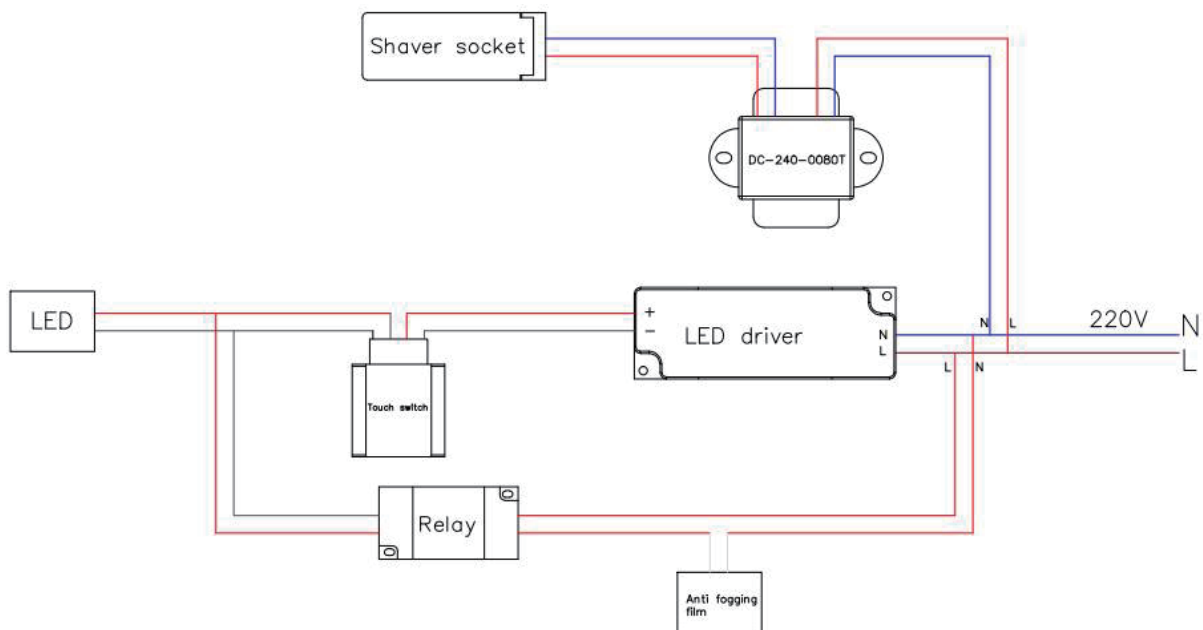
Bluetooth connection performance may vary from device to device. Make sure the device is in working condition before attempting to pair it with the cabinet. Due to compatibility issues between different devices, some connections may exhibit unusual behaviour or insensitivity that cannot always be anticipated or avoided. If difficulties are encountered, try connecting another device to determine compatibility.

# CIRCUIT DIAGRAM

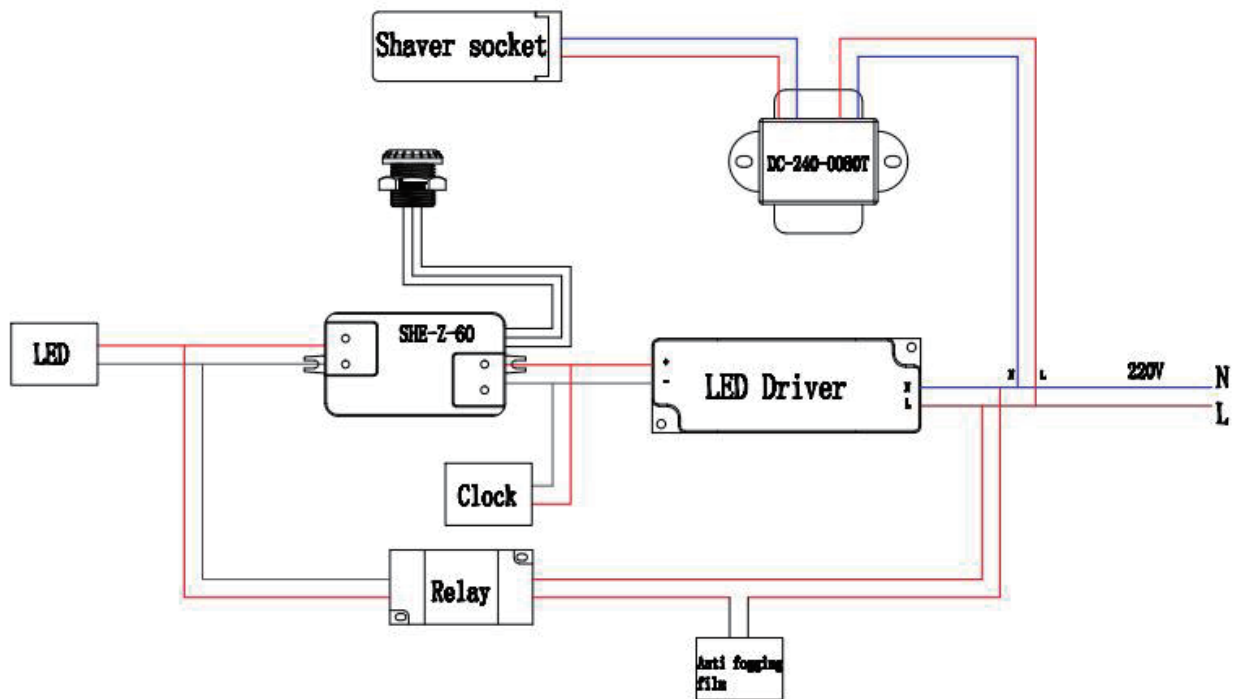
## CDC1: Models with anti-fog/sensor switch



## CDC2: Models with anti-fog/ touch switch/ shaver socket



**CDC3: Models with anti-fog/ sensor switch/ shaver socket/digital clock**



**CDC4: Models with anti-fog/ sensor switch/ shaver socket/ bluetooth**

