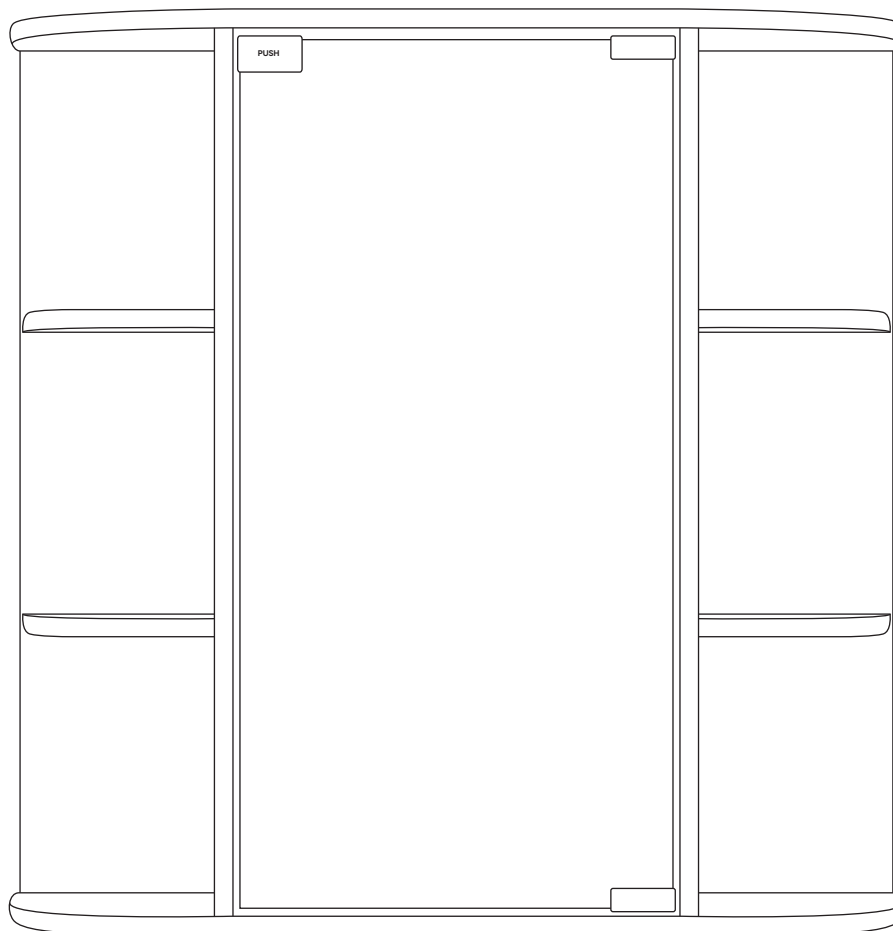


USER'S MANUAL



MIRROR CABINET

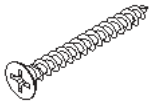
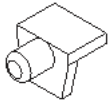
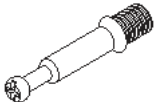

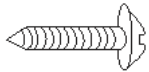
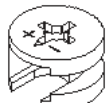
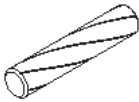
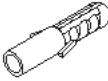

FI0338

Please read this manual carefully before assembly and keep it properly.

WARNING

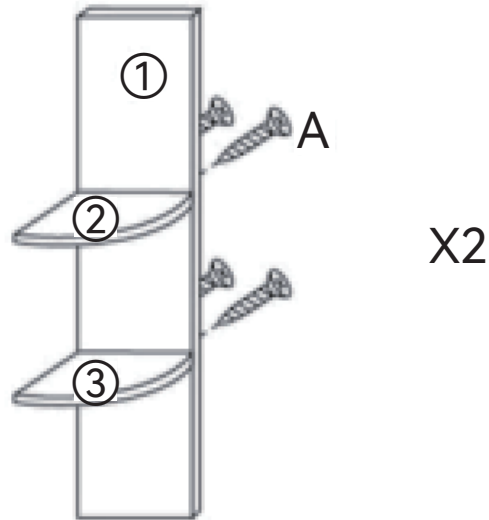
1. Check you have all the components and tools listed below.
2. Do not stand or put weight on the product, this could cause damage.
3. Dispose of all packaging carefully and responsibly.
4. Remove all fittings from the plastic bags and separate them into groups.
5. Make sure you have enough space to layout the parts before starting.
6. Assemble the product as close to its final position (in the same room) as possible.
7. Assemble on a soft level surface to avoid damaging the product or your floor.
8. Parts of the assembly will be easier with 2 people.
9. Do not discard of the packaging until you have checked that you have all of the parts and hardware required.
10. Hardware package may have spare parts.
11. Do not strike the glass with hard or pointed items.
12. Attention! This product contains small parts which can be swallowed by children and pets.
13. Keep children and pets away during assembly.
14. To avoid danger of suffocation, always keep plastic bags away from children and pets.
15. We recommend that you assemble this product on a carpeted floor to avoid scratches.
16. We do not recommend the use of power tools for assembly as this could damage the product. Only use manual tools.
17. Danger! Wear gloves when installing glass doors to avoid cuts.

PARTS LIST

NO.	PART	QTY.
A		10
B		8
C		20
D		1
E		2
F		20
G		8
H		2
I		2

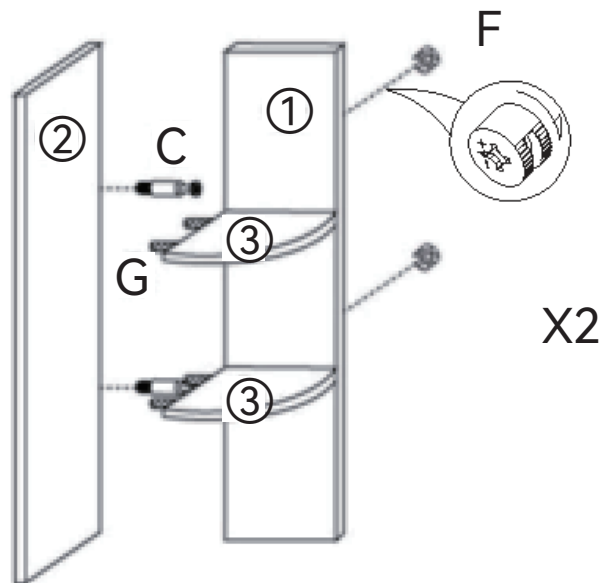
STEP 01

Install the side shelf of the mirror cabinet by attaching ③ to ① with A.



STEP 02

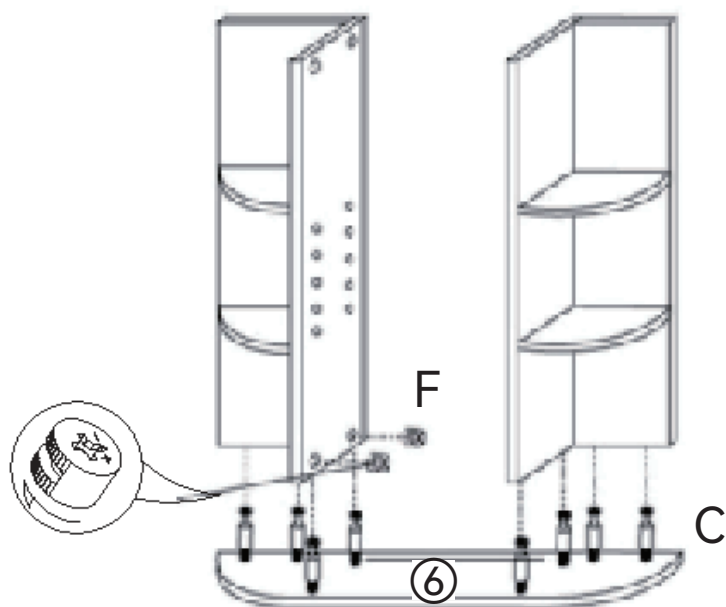
Insert G into ③, then attach ② to ③ with C.
Insert F to ①.



STEP 03

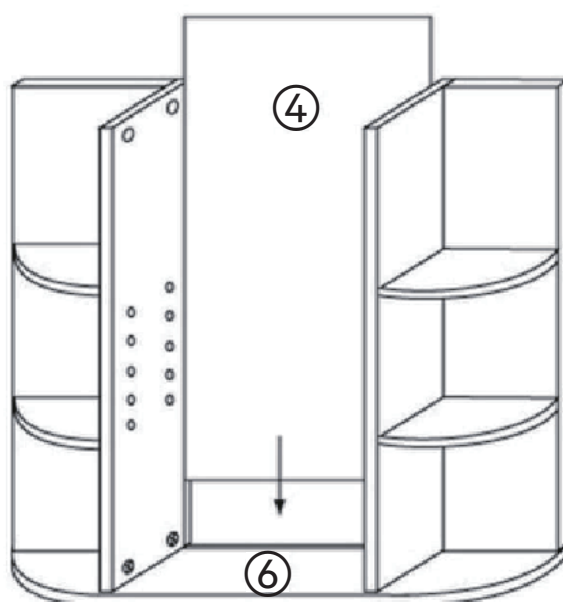
Insert C into ⑥.

Secure the side shelves of the mirror cabinet to ⑥ with F.



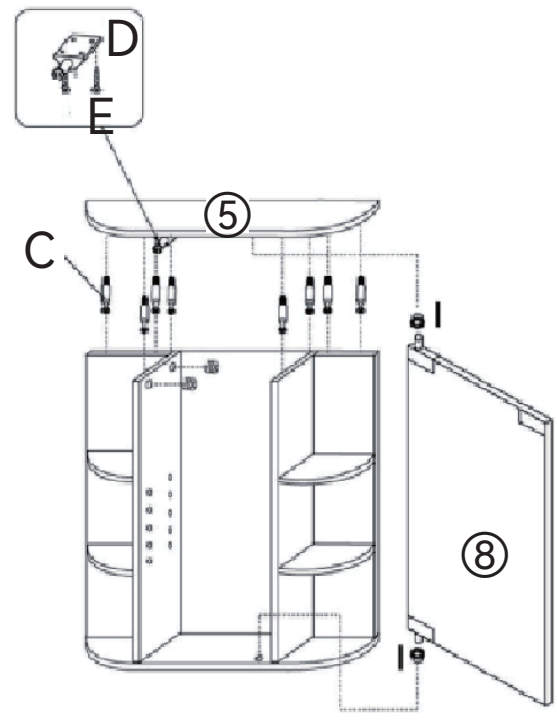
STEP 04

Install ④ on the back of the mirror cabinet by pushing it down.



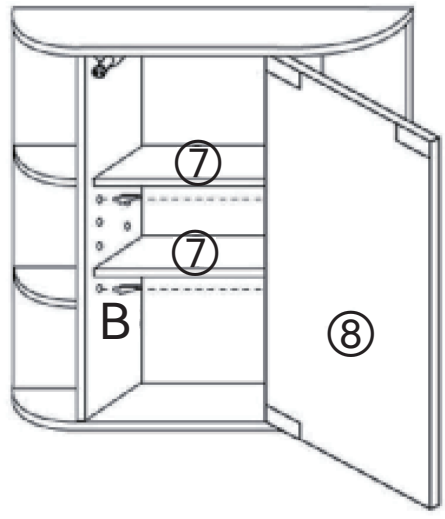
STEP 05

Install ⑤ on top of the mirror cabinet with C, E and D.
Install ⑧ in the front of the mirror cabinet.



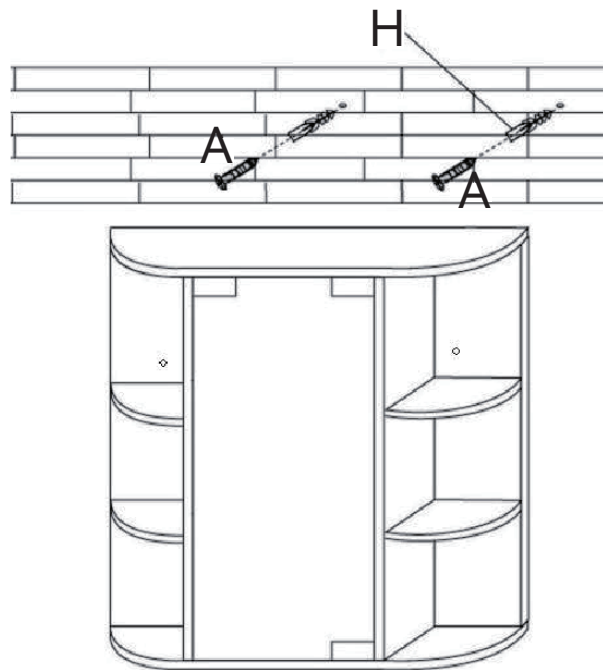
STEP 06

Install ⑦ in the middle of the mirror cabinet.



STEP 07

Fix the mirror cabinet to the wall with H and A.



1. Wipe regularly with water and a damp, soft white cloth.
2. Clean only with a damp cloth and a mild detergent, never use bleach or abrasive cleaners.
3. Check frequently for loose screws on the product.
4. This product must not be disposed of with household waste. Please take it to your local waste disposal centre.
5. Do not place very hot or very cold items on or near glass surfaces unless sufficiently thick insulation is used to prevent these items from coming into contact with the glass.
6. When cleaning glass panes or mirrors, use a damp cloth or leather moistened with washing-up liquid or soft soap if necessary; do not use washing-up liquid or any other substance containing abrasive agents as these will scratch the glass.
7. Do not sit or stand on horizontal glass surfaces.
8. The product must be fixed to the wall using suitable fixings.

