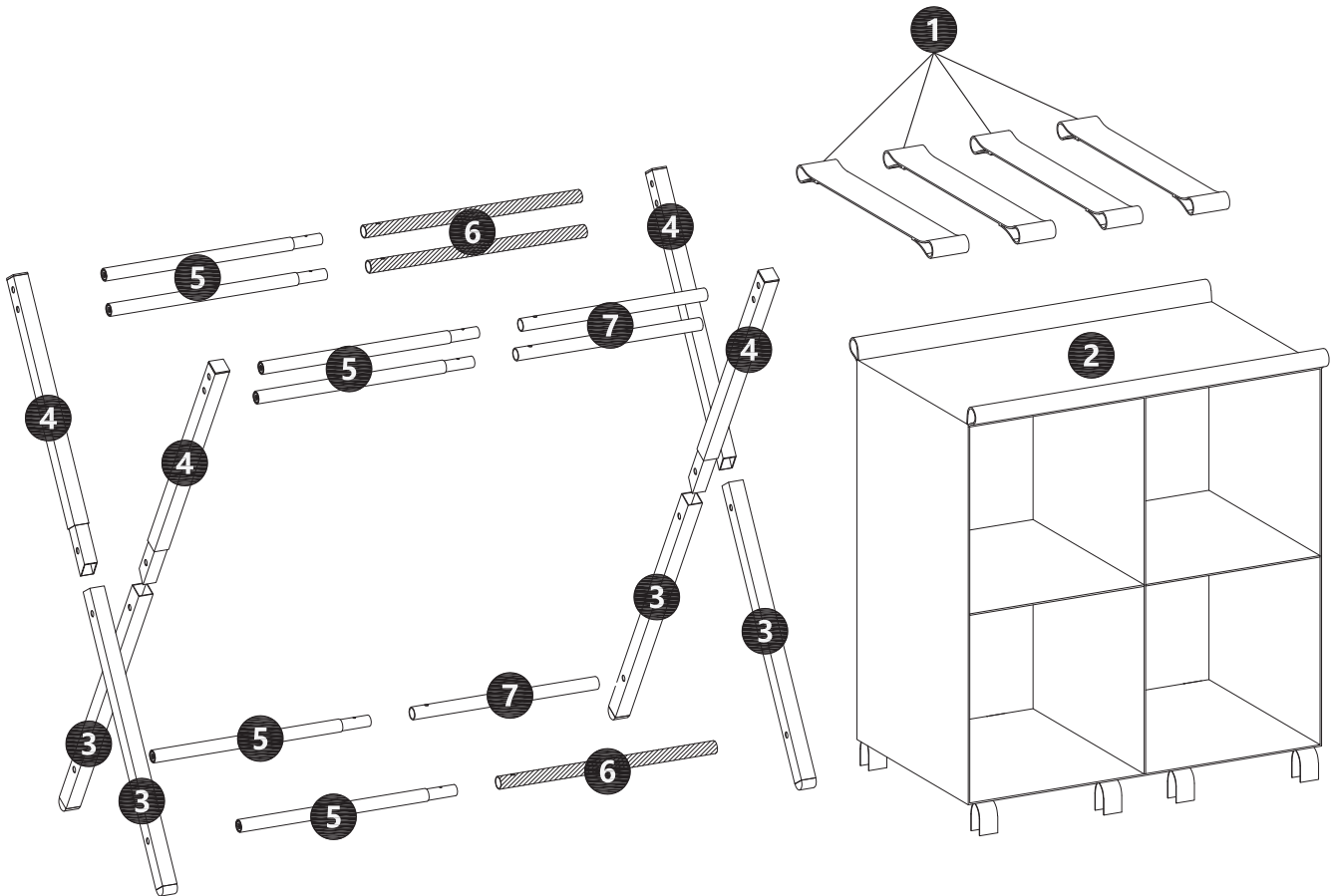








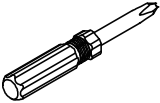
Luggage Rack

Ok, let's get rolling

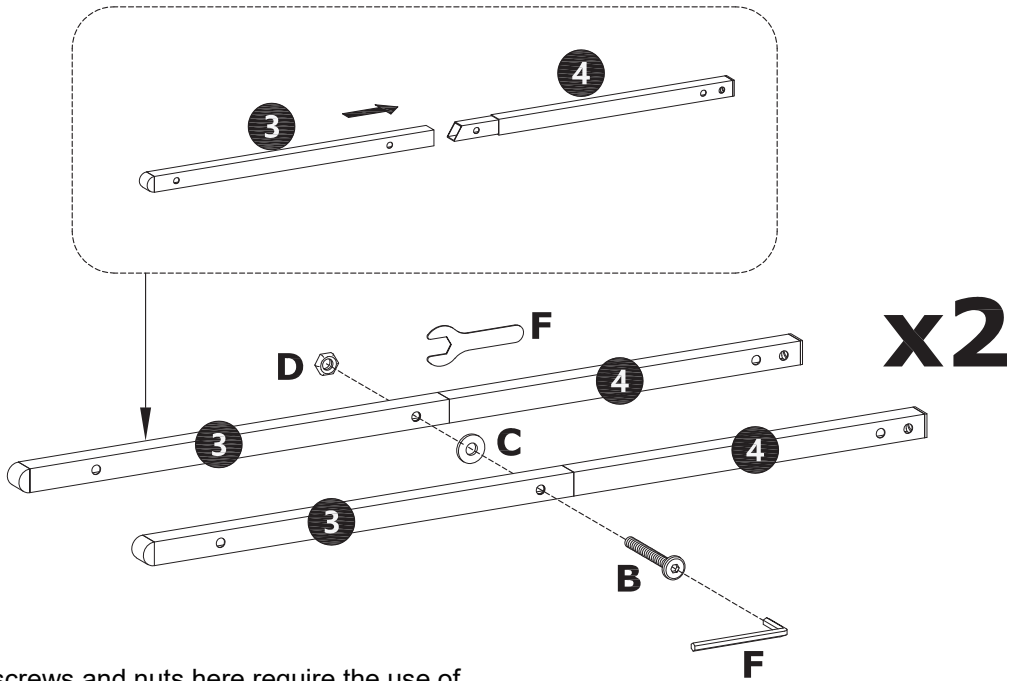
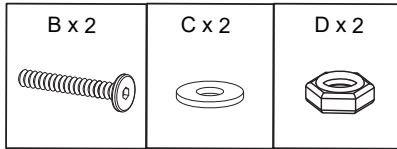
Precautions before installation

1. If there are missing parts or damaged parts in the product, do not be disappointed, please contact our online customer service, we will send you the replacement parts as soon as possible.



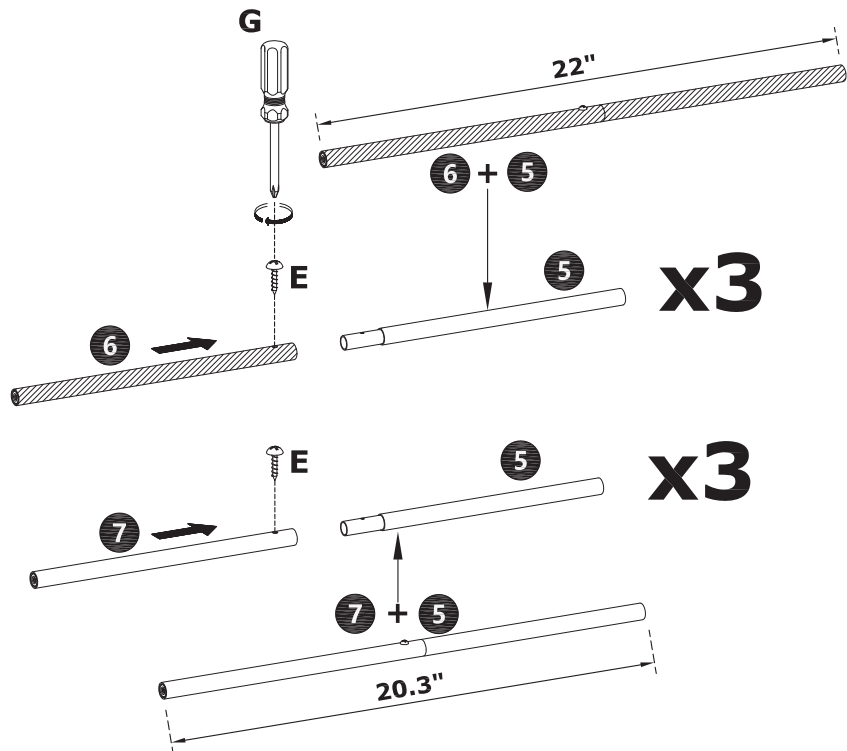
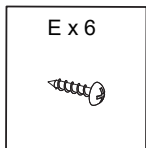
A x 12 	B x 2 	C x 2 	D x 2 	E x 6 	F x 1  
G x 1 					

1



The screws and nuts here require the use of both a screwdriver and a wrench to install.

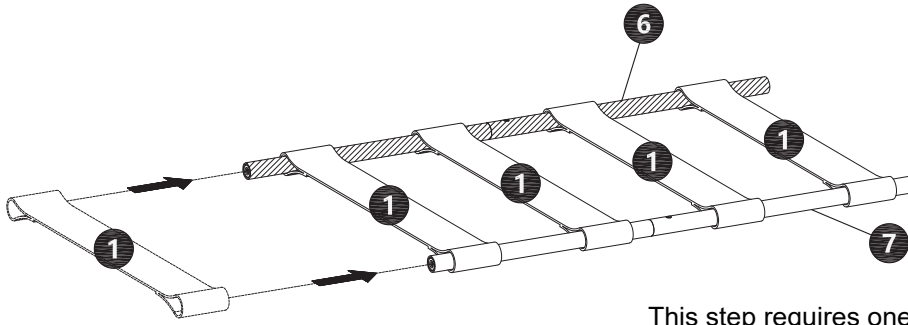
2



Attention:

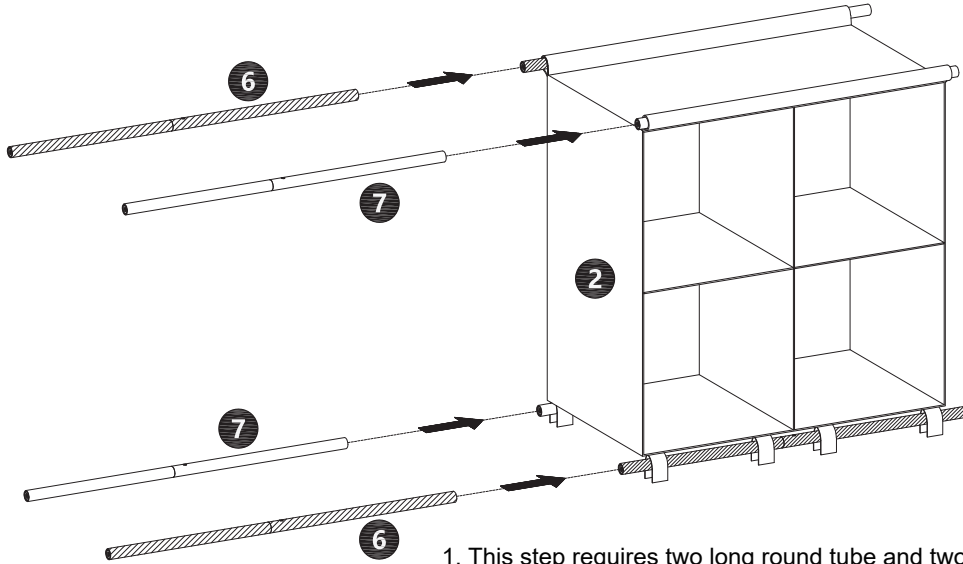
Then you will have 3 long tubes and 3 short tubes. In the next few steps, the one that fills the shadow is the long pipe, and the one that does not fill the shadow is the short pipe. Pay attention to the distinction.

3



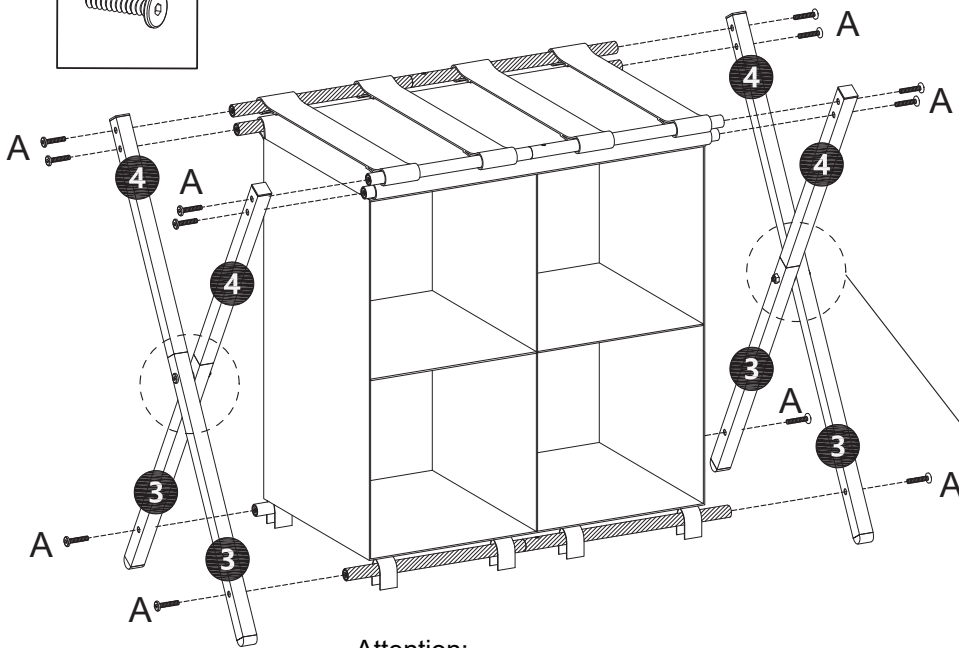
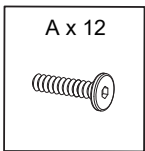
This step requires one long round tube and one short round tube.

4



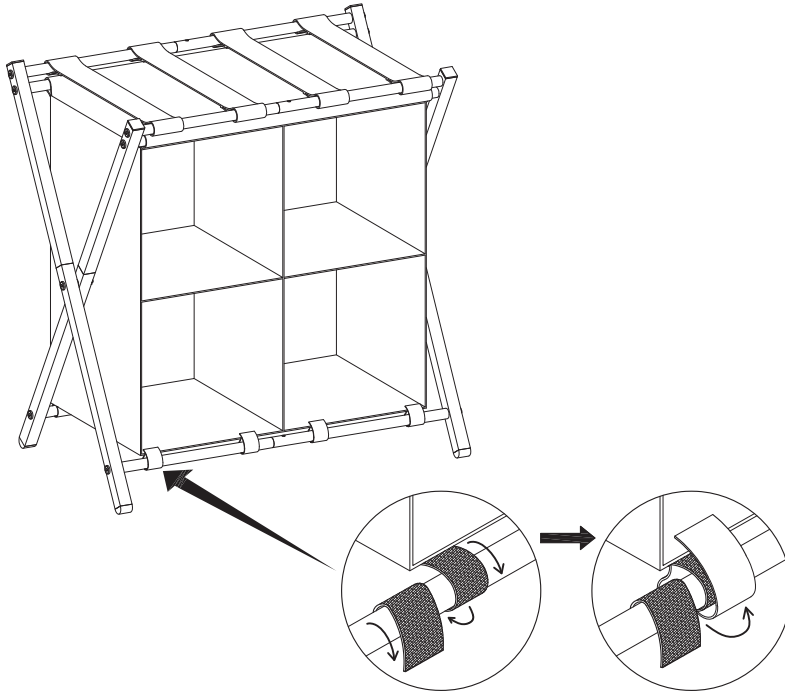
1. This step requires two long round tube and two short round tube.
The position of the four round tubes must be the same as in the drawing.
2. Here you can wrap the Velcro temporarily, but do not tie it too tightly.

5



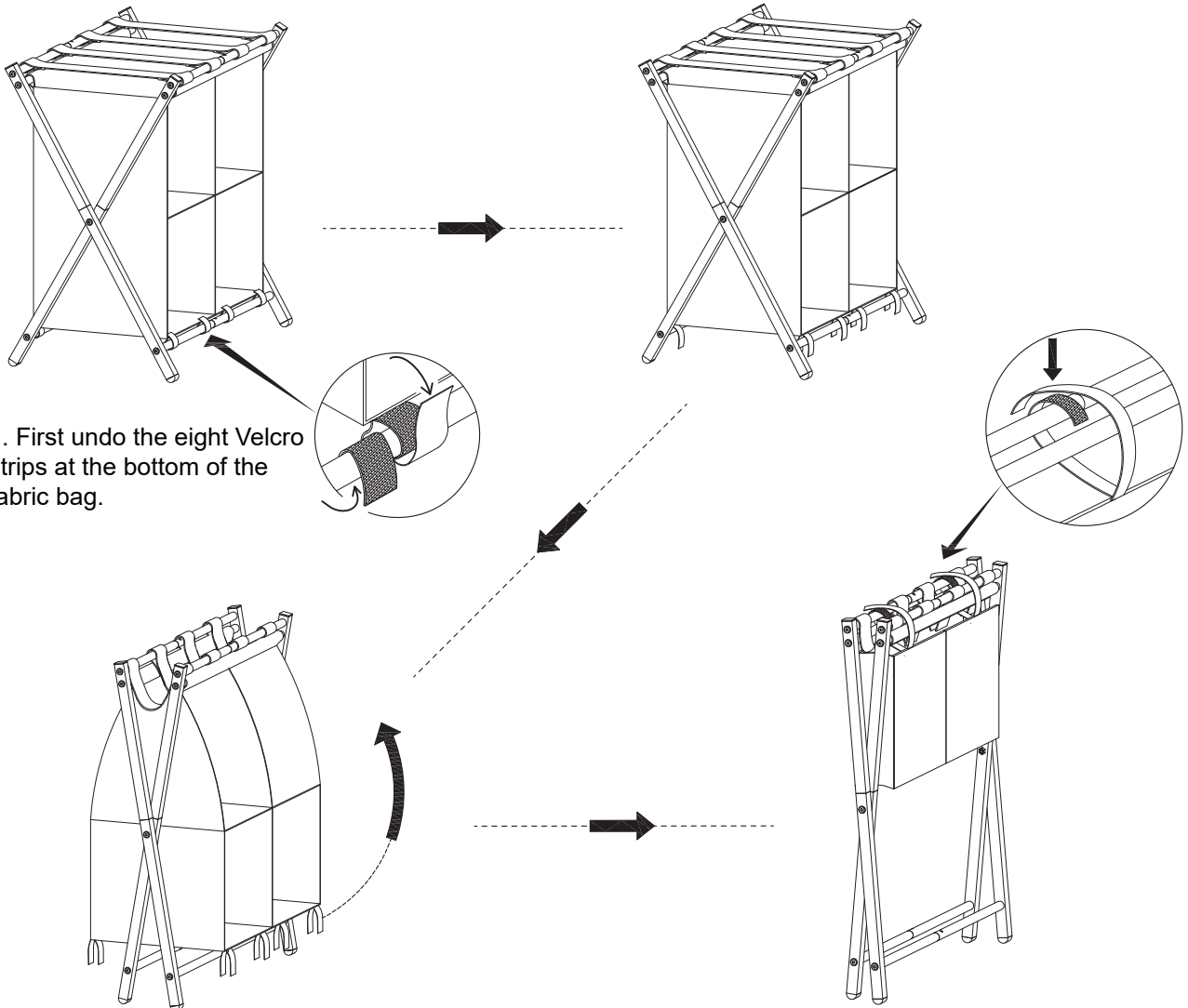
Attention:
Note the position of the two iron pipes, one on the inside and one on the outside.
To avoid installation errors, keep the installation position exactly as shown in the figure.
(The three round tubes filled with shadows in the figure are longer round tubes.
The distance between the two outer square tubes is greater than the distance between the two inner square tubes, so three longer round tubes are installed between the two outer square tubes.)

6



Attach the Velcro to the iron pipe

How to fold the luggage rack:



1. First undo the eight Velcro strips at the bottom of the fabric bag.

2. Fold the iron frame and fold the fabric bag up.

3. Attach the Velcro at the bottom of the fabric bag to the iron tube at the top of the luggage rack.

Comfort starts and ends at our furniture

Thank you for your support

 If you have any doubt, please contact our online service

We do our best to ensure your furniture arrives without any damages.

If you have received a faulty or incorrect part,

we will send the replacement part(s) for free immediately.

ENJOY YOUR PURCHASE!

We strive to make you happy and we'd love your feedback. Please share it with us!