

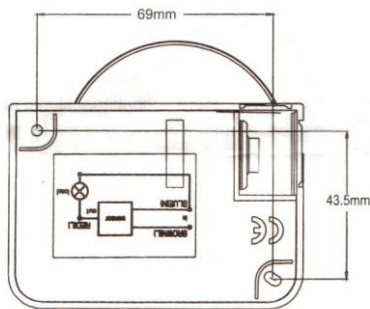
1200w Wall Mounted Infrared Motion Sensor



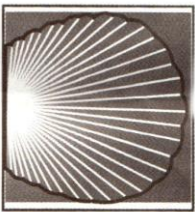
Please read the instructions fully before attempting installation.

SPECIFICATION:

| | |
|------------------------|---|
| Power Sourcing | 220V - 240V/AC |
| Power Frequency | 50Hz |
| Rated Load | 1200W (Tungsten) 300W (Fluorescent/LED) |
| Time Delay | Min: 8sec ± 3sec Max: 8min ± 2min |
| Light Control | < 3 LUX ~ Daylight (adjustable) |
| Detection Range | 12m max (<24°C) |
| Detection Angle | 180° |
| Working Temperature | -10 ~ +40°C |
| Installation Height | 1.8m - 2.5m |
| Detection Motion Speed | 0.6~1.5m/s |
| Power Consumption | 0.45W (work) 0.1W (static) |
| Working Humidity | <93%RH |

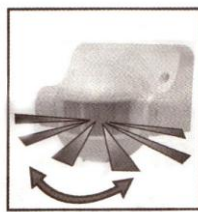


Sensor Information



12m

Correct moving orientation



180°

Detection angle

Installation

1. Switch off electric at mains.
2. Prepare cable ends for connection to the terminals.
3. Loosen two screws on front facing plate.
4. Remove back.
5. Fit back plate in desired location on wall. (image 1)
6. Loosen screws on connection block.
7. Connect wires to power as per wiring diagram (image 2)
8. Tighten screws on connection terminal.
9. Place front unit on to positioned back plate.
10. Tighten two screws on front plate.

Image 1

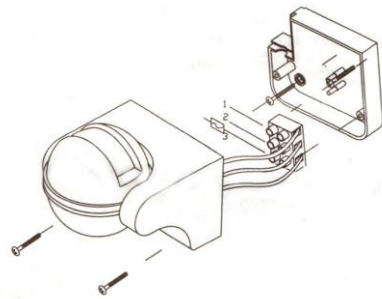
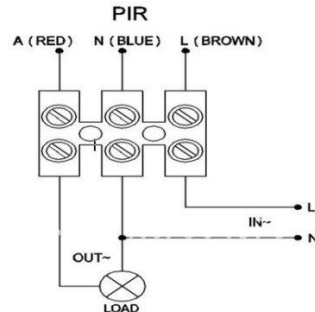


Image 2



Testing the unit

- Turn the LUX dial to the maximum (SUN) position.
- Turn the TIME dial to the minimum.
- Turn power on, the controlled load will not illuminate.
- After approx. 30 seconds the load will illuminate.
- Load will go off within 5-20 seconds.
- After first detection has been completed the unit will then enter sensing mode and the light will go off. If the unit receives a further induction signal the light will illuminate and will go off within 5 ~ 10 seconds providing no further detection is sensed.
- Turn the LUX dial toward the minimum (moon) until required detection is achieved.
- Turn TIME dial towards + until required time level is achieved.

Please note: If testing in 3LUX or more the induction load will not work after the load stops working. Covering the induction window may be required.

Troubleshooting

Light not illuminating?

- Check the power and the load are connected correctly.
- Check the load is good.
- Check ambient brightness is higher than your LUX setting.

Sensitivity not working?

- Check for obstructions
- Check ambient temperature is not too high
- Check that the signal source is within detection range as per specification
- Check that the installation height corresponds to the height shown in the specifications.

Light staying on?

- Check for obstructions
- Check TIME dial
- Check the power connections
- Check if the sensor is near air conditioning unit, central heating where temperature can change rapidly.

Guarantee

This 1200w ceiling mounted PIR is guaranteed for a period of 12 months from date of purchase.

Please retain for future reference