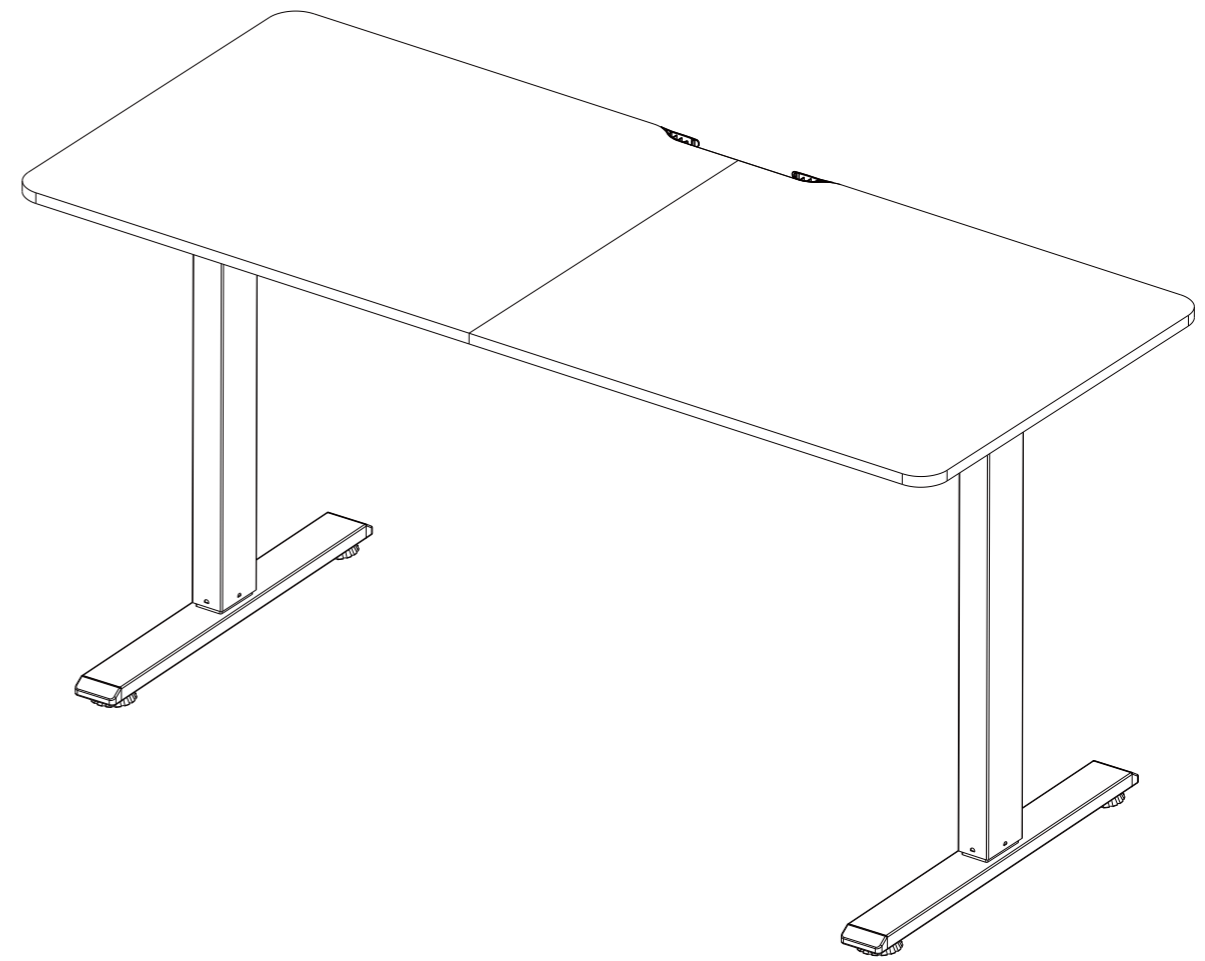


Item No. QS1-1460/QS1-1675
User Manual



CONTENTS

English-----01

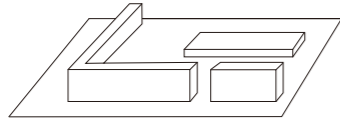
German-----09

French-----17

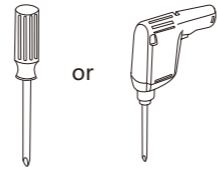
Italian-----25

Spanish-----33

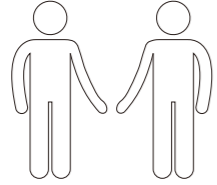
Assembly Notes



Assemble on carpet to prevent scratches



Phillips screwdriver or drill required (not provided)

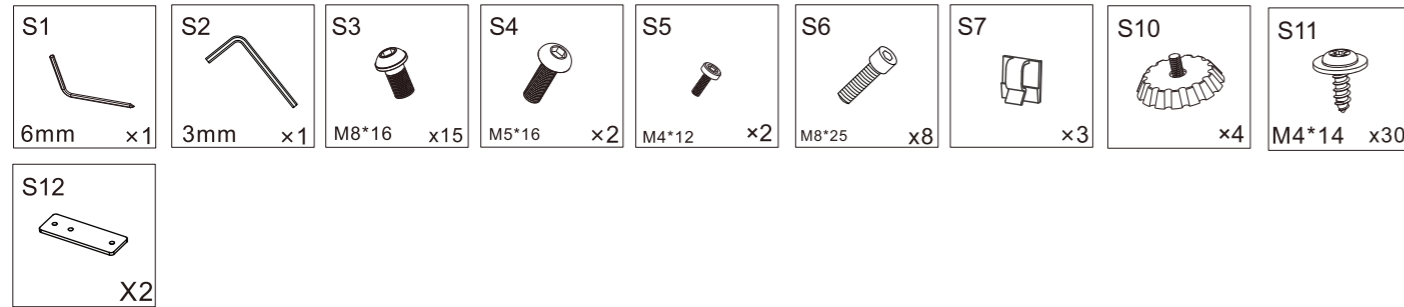


Cooperative assembly

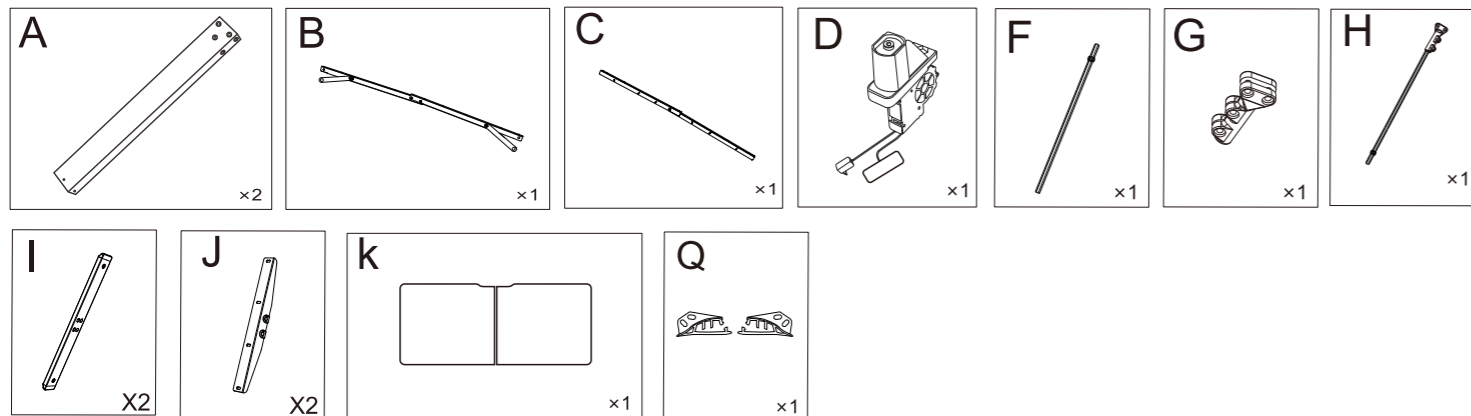
Product List

Accessory Package

Note: The following line drawings are for reference only and in some cases may be different from the actual part; please refer to the actual part. If you find missing parts or have installation problems, please contact customer service.

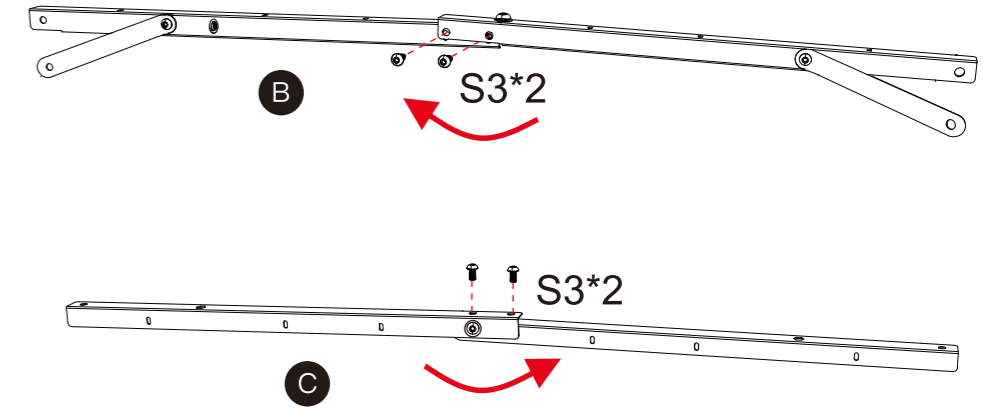
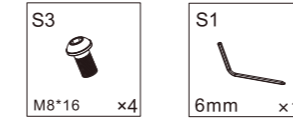
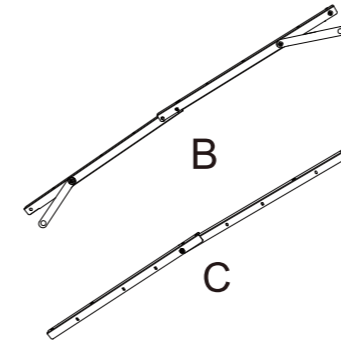


Parts Included

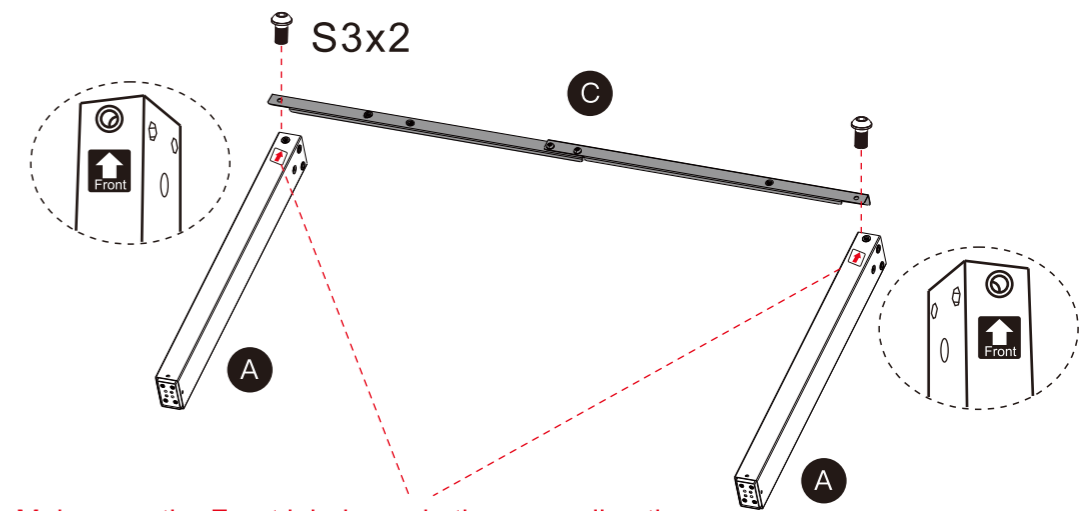
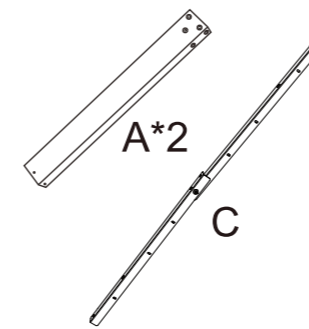


Assembly Steps

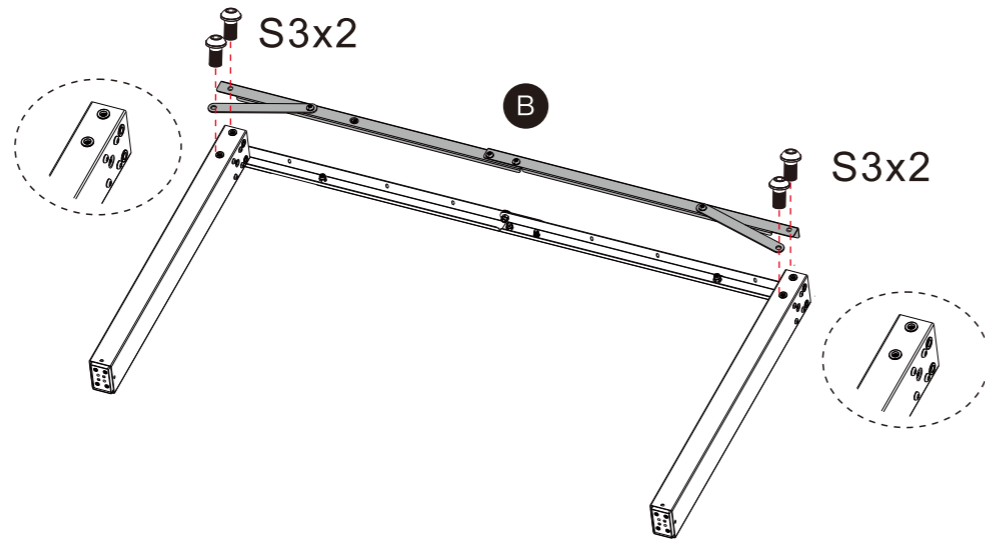
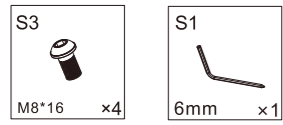
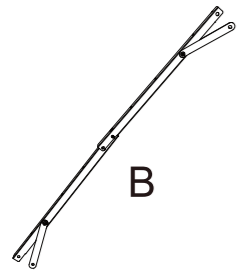
Step 1



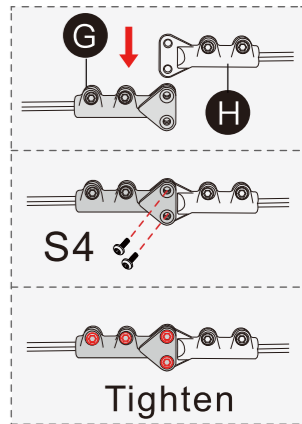
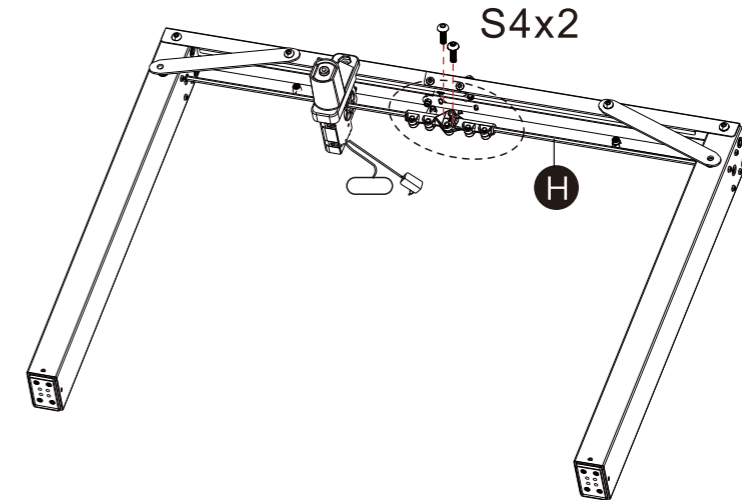
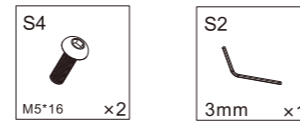
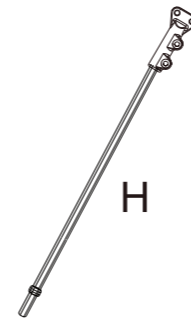
Step 2



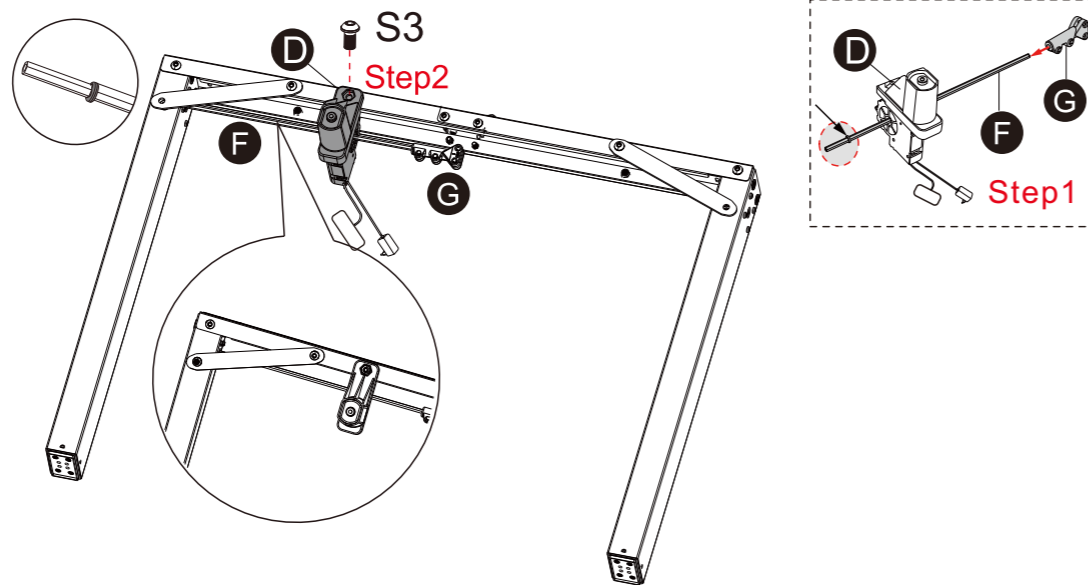
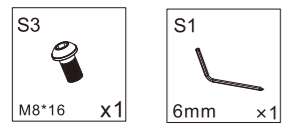
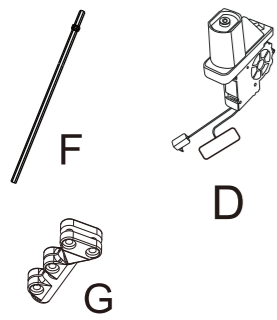
Step 3



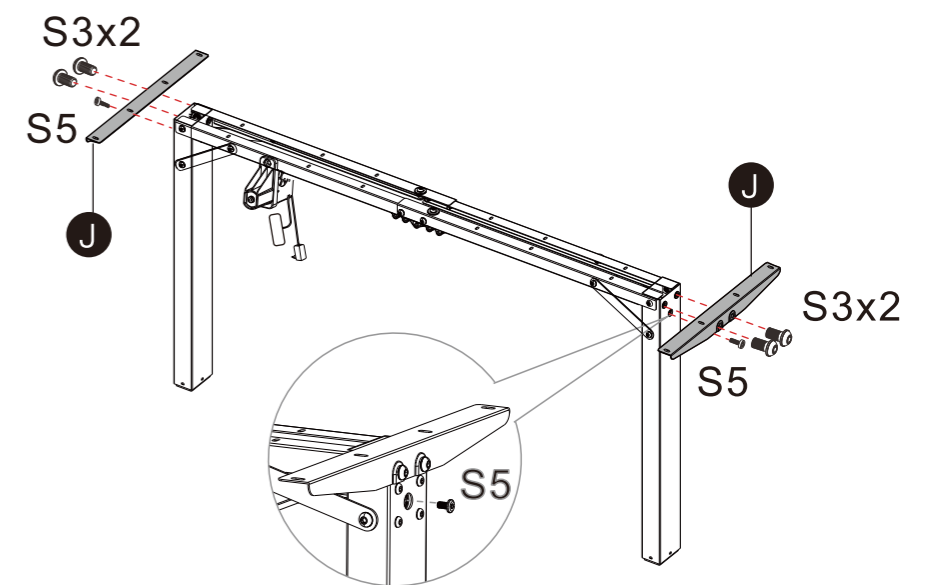
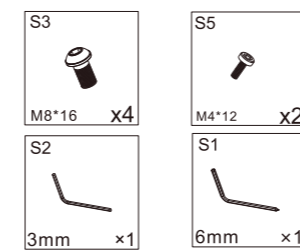
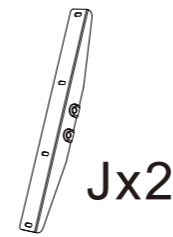
Step 5



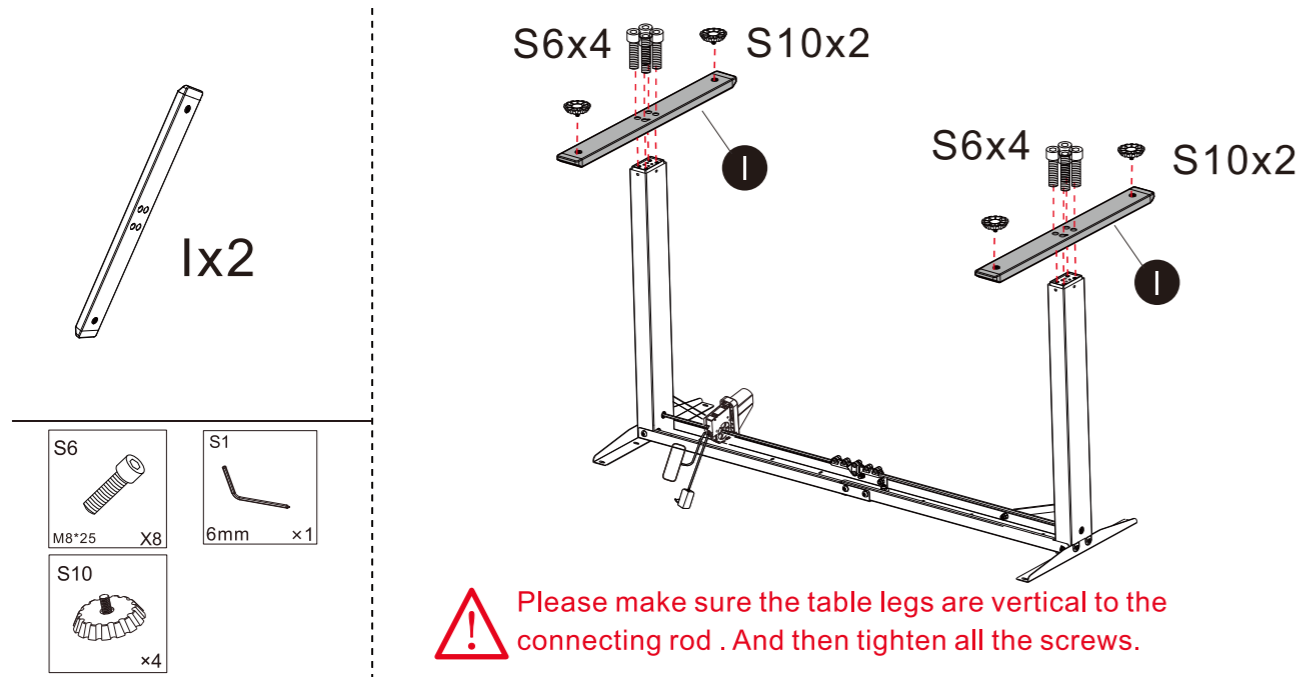
Step 4



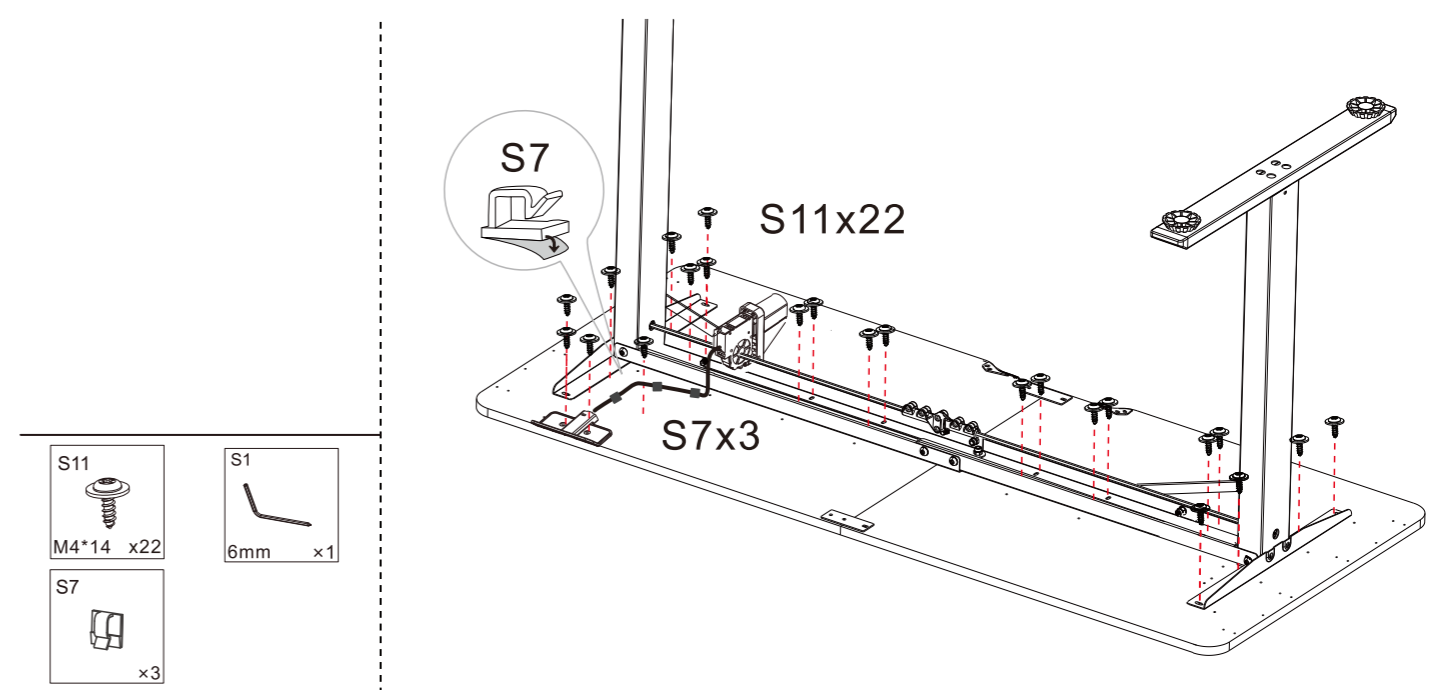
Step 6



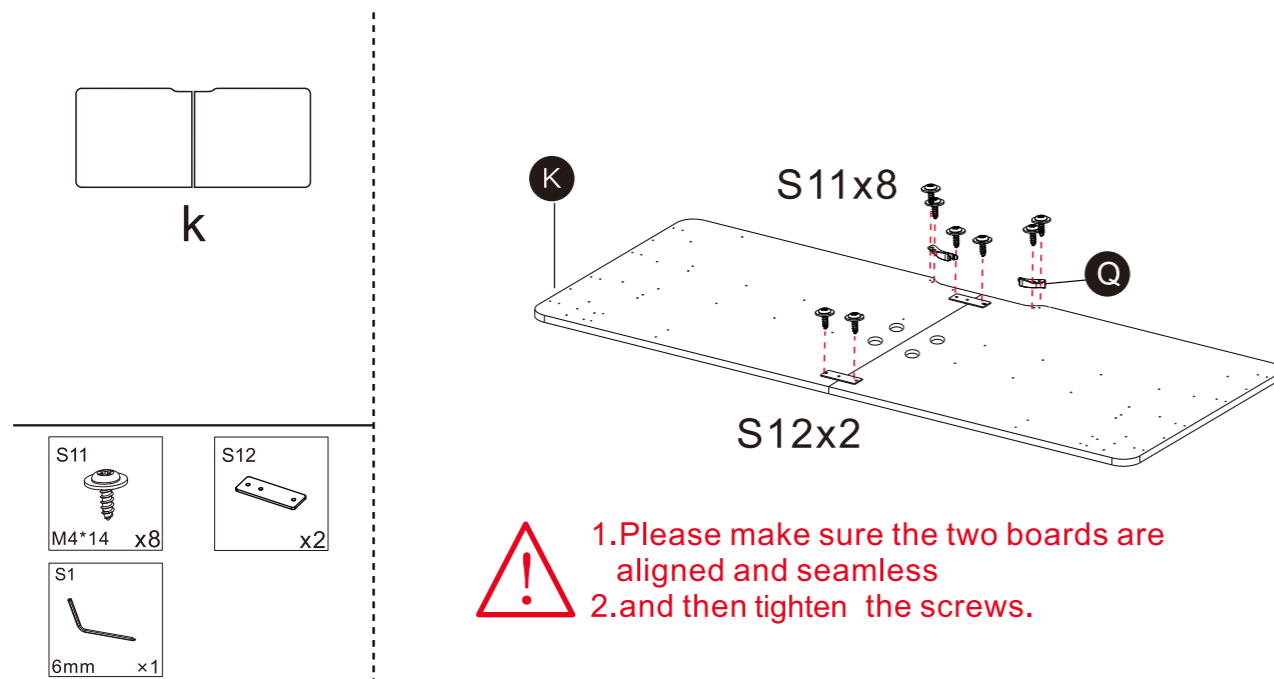
Step 7



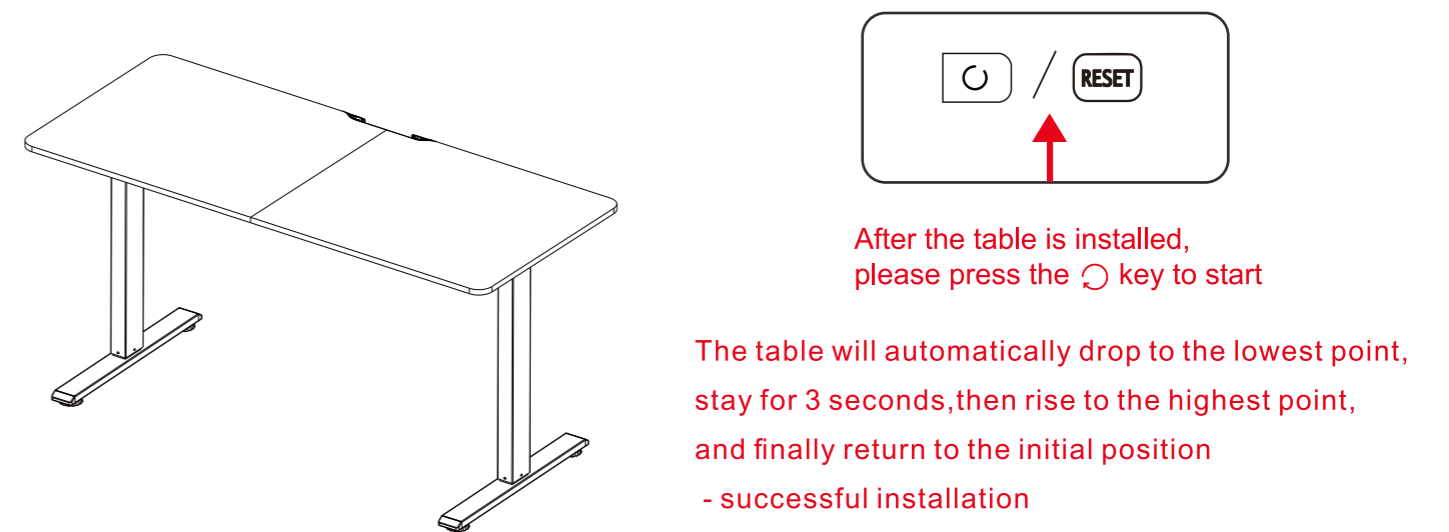
Step 9

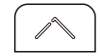
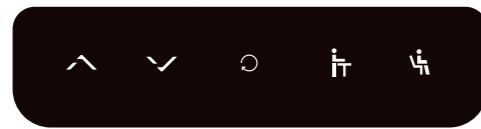


Step 8



Step 10





Up: Up button



RST:Reset button



Stand: Saving button 1




Down: Down button






Sit: Saving button 2


UP and down buttn operation

When the " " button is pressed, the desktop runs up until reaching the highest height.

When the " " button is pressed, the desktop runs down until it reaches the lowest height.

When press the " " or " " button, the desktop runs automatically.

When press the " " button 3S after the display on the screen, release the button, automatically reach the highest height, press any button can stop halfway.

When press the " " button 3S after the display on the screen, release the button, automatically reach the lowest height, press any height can stop halfway.

Location Store / Memory Location operation


Storage of standing position: press and hold " " button for 5 seconds, the display on the screen, and the standing position is saved.

Storage of sitting position: press and hold " " button for 5 seconds, the display on the screen, and the sitting position is saved.

Stand memory position operation: press the " " button, the desktop automatically run to the height of the memory position, and press any buton can stop halfway.

Sitting memory position operation: press the " " button, the desktop automatically run to the height of the memory position, and press any button can stop halfway.

Reset Operation

Press and hold " " for 3 seconds, then release the button to enter reset mode. The desktop automatically down to find the lowest height, then after a 3-second pause, the desktop automatically moves up to find the highest height, pause for another 3 seconds. In the end, the desktop will automatically run down to the fixed position, and the reset process is over.

After the Installation of desk, pls execute this process first.

Attention

- Power supply: AC100V - 240V, frequency 50/60HZ;
- Working environment: 14° - 104° F;
- Before cleaning, you have to unplug the power supply cable. Clean with a slightly damp cloth to wipe away the surface dust. Keep all electrical components away from liquids. Do not damage the connection line and keep the plug in a safe position.
- Inside the control box, there are electronic components, metal parts, plastic parts, wires and so on. They should be disposed in accordance with the local laws and regulations. They cannot be disposed as household waste.
- Before using the product, please make sure the product has been installed correctly.
- Before starting use of the product, please read the instructions to fully understand all the product's functions and settings.
- Keep children away from electric height-adjustable desks, control units and handsets. Manufacturer is not responsible of any damages that result from children's unpredictable behaviour.
- Slight noise caused by the multi wedge belt or brake system will not impact the use of this product.
- Do not use corrosive or abrasive materials to clean this product and please dispose of cleaning solutions in an environmentally friendly manner.
- Understand the risks associated with using this product. Children or those with cognitive impairment should not use this product without supervision.
- If the power supply cord is damaged or broken, it must be replaced by the manufacturer or a relevant specialist to avoid any injuries.
- Please operate in a clean and safe environment. For example, do not left around your tools. And always be careful to deal with packaging materials, in order to avoid any kinds of possible danger. Potential chocking risk exists when children play with plastic bags!
- If necessary, retain the original package for future transportation.

Recycling and Disposal



This product cannot be disposed of as household waste. To prevent damage to the environment, this product should be recycled. Please use the relevant recycling systems available to you or contract the distributor or manufacturer for recycling assistance.