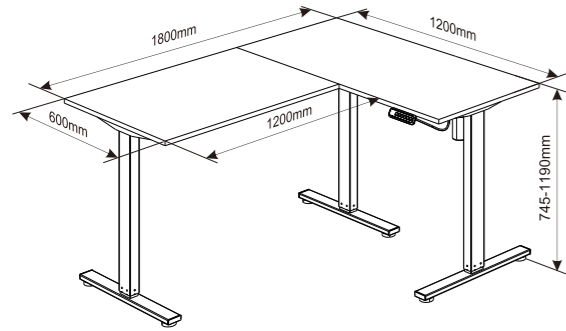


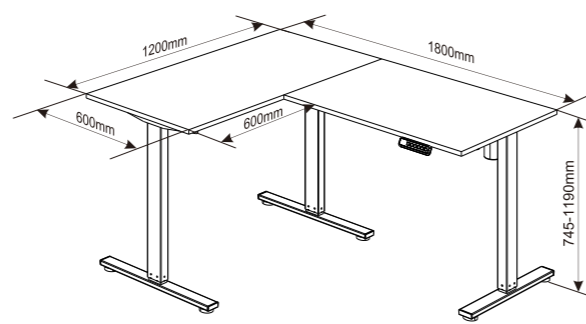
Specifications

Max. Load Capacity	75KG
Max Speed	20mm/s
Maximum height	1190mm
Lowest height	745mm

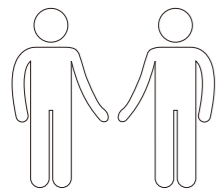
Option A



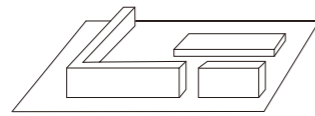
Option B



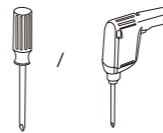
Assembly Notes



Cooperative assembly



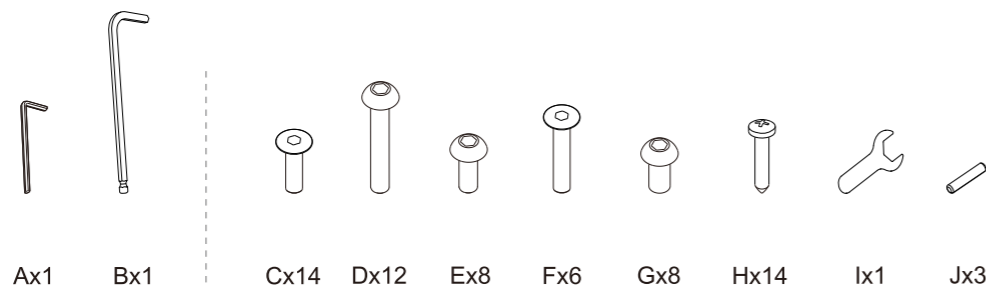
Assemble on carpet to prevent scratches



Phillips screwdriver or drill required (not provided)

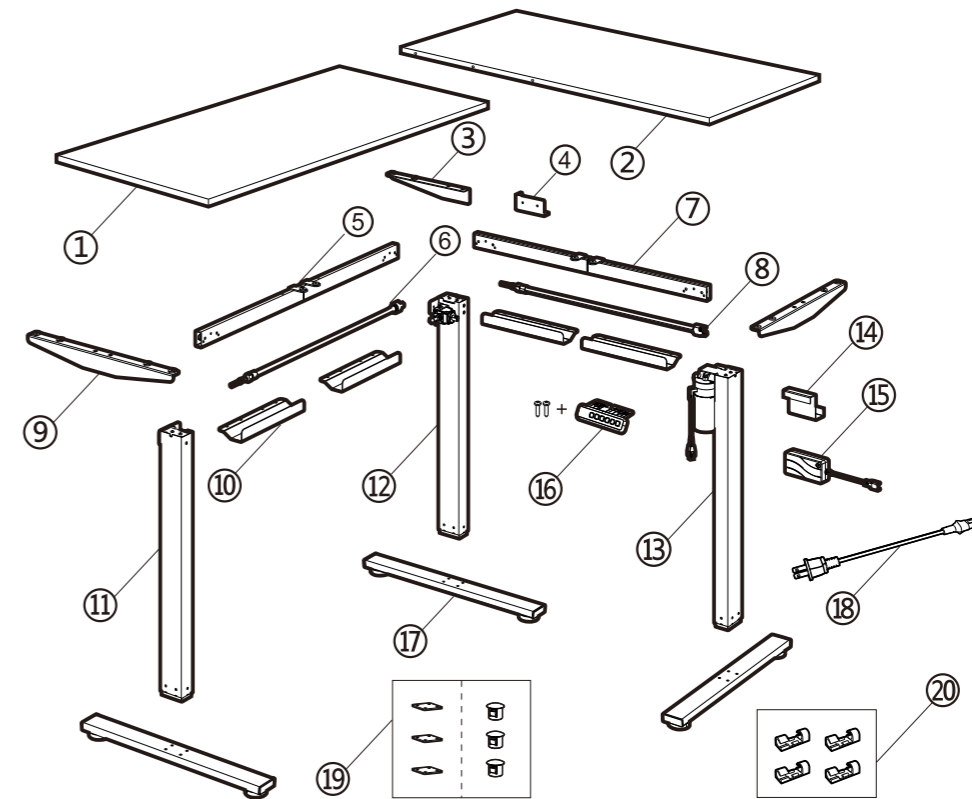
Product List

Note: The following line drawings are for reference only and in some cases may be different from the actual part; please refer to the actual part. If you find missing parts or have installation problems, please contact customer service.

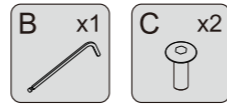
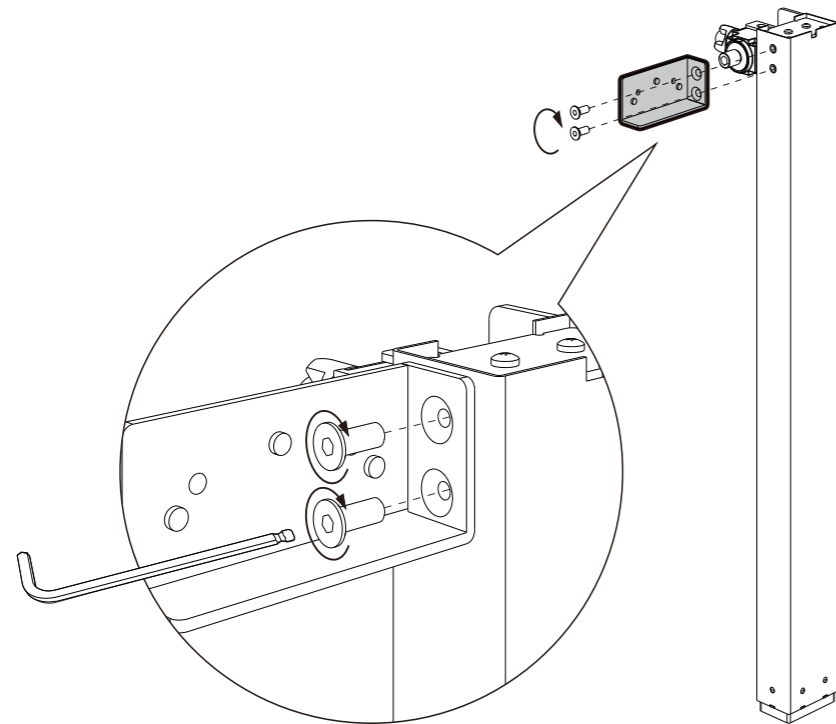


Parts Included

①	Desktop I x 1		⑪	Left column x 1	
②	Desktop II x 1		⑫	Middle column x 1	
③	Short support plate x 1		⑬	Right column x 1	
④	Middle column connecting joining plate x 1		⑭	Adapter holder x 1	
⑤	Long crossbeam x 1		⑮	Adapter x 1	
⑥	Long drive rod x 1		⑯	Keypad x 1	
⑦	Short crossbeam x 1		⑰	Desk feet x 3	
⑧	Short drive rod x 1		⑱	Power cord x 1	
⑨	Long support plate x 2		⑲	Desktop connectors x 3	
⑩	Baffle x 4		⑲	Hole plug x 3	
			⑳	Cable tie x 4	

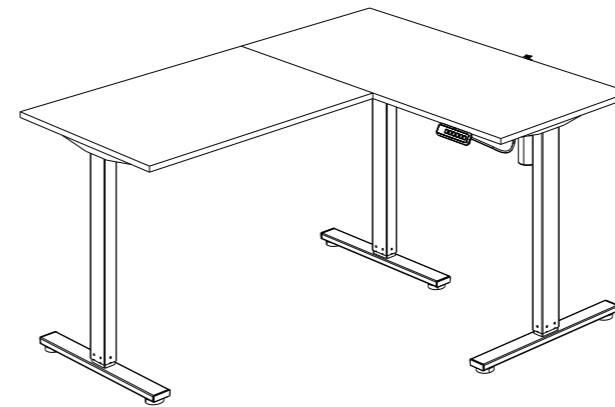


01 Install middle column connecting joining plate

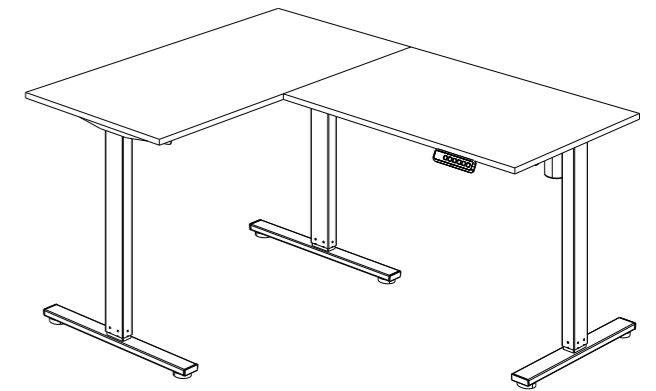


This product varies in assembly steps depending on the assembly method. Steps 3 and beyond will differ accordingly. For Option A, refer to steps A-3 through A-18; for Option B, refer to steps B-3 through B-18, reflecting the different assembly outcomes.

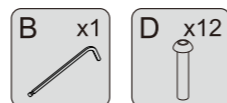
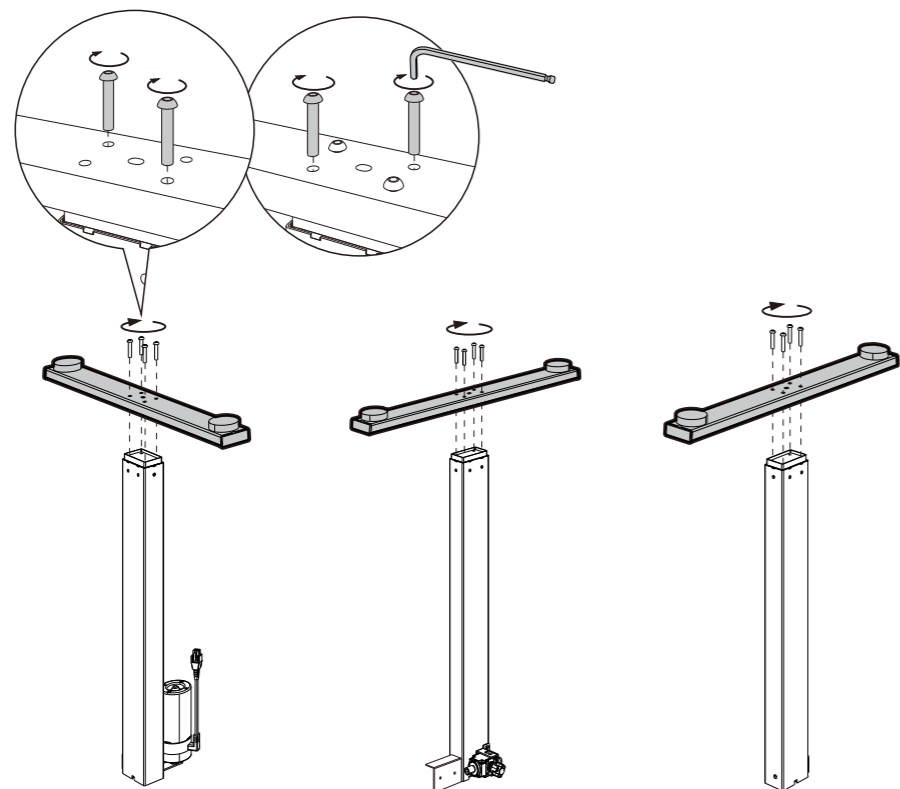
Option A:
Pages P30-P39



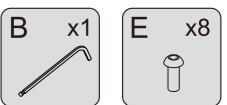
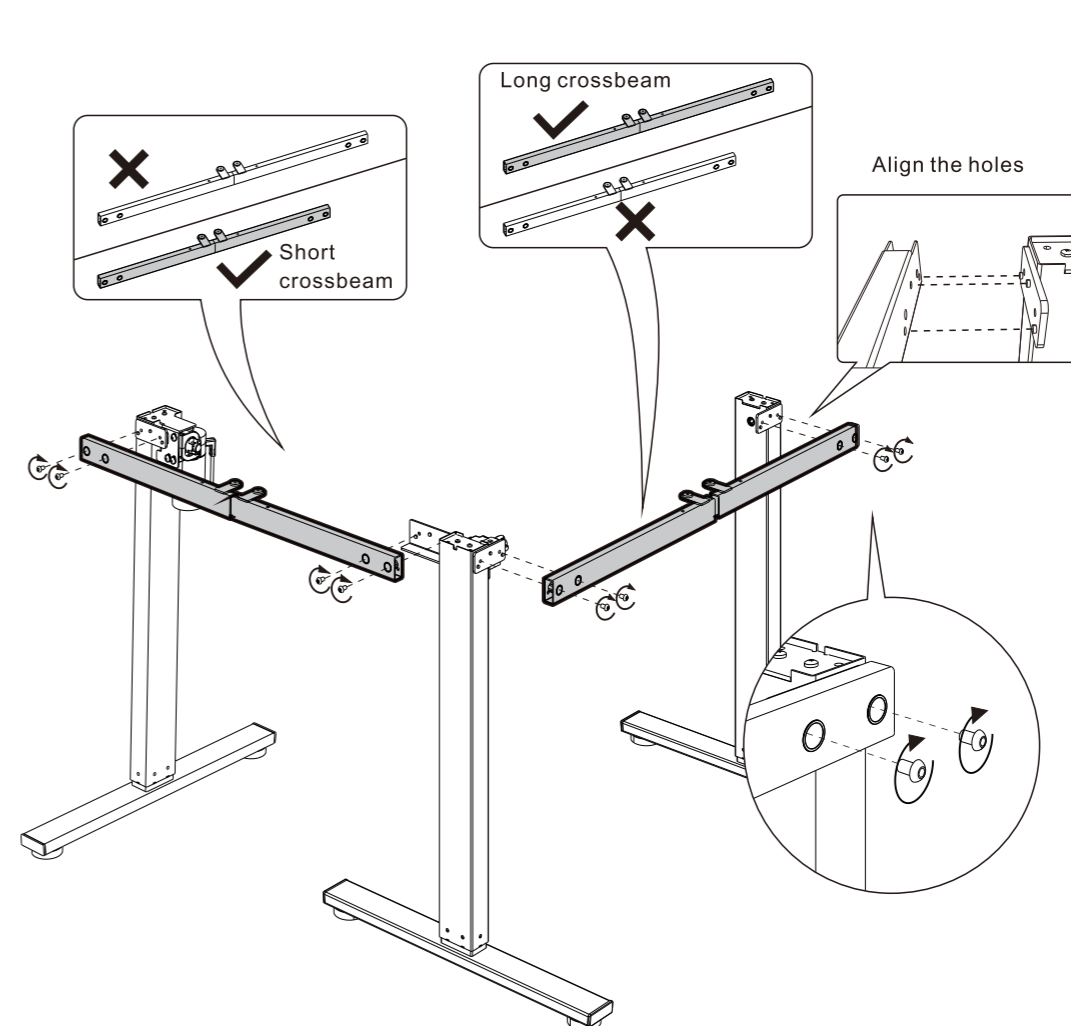
Option B:
Pages P39-P48



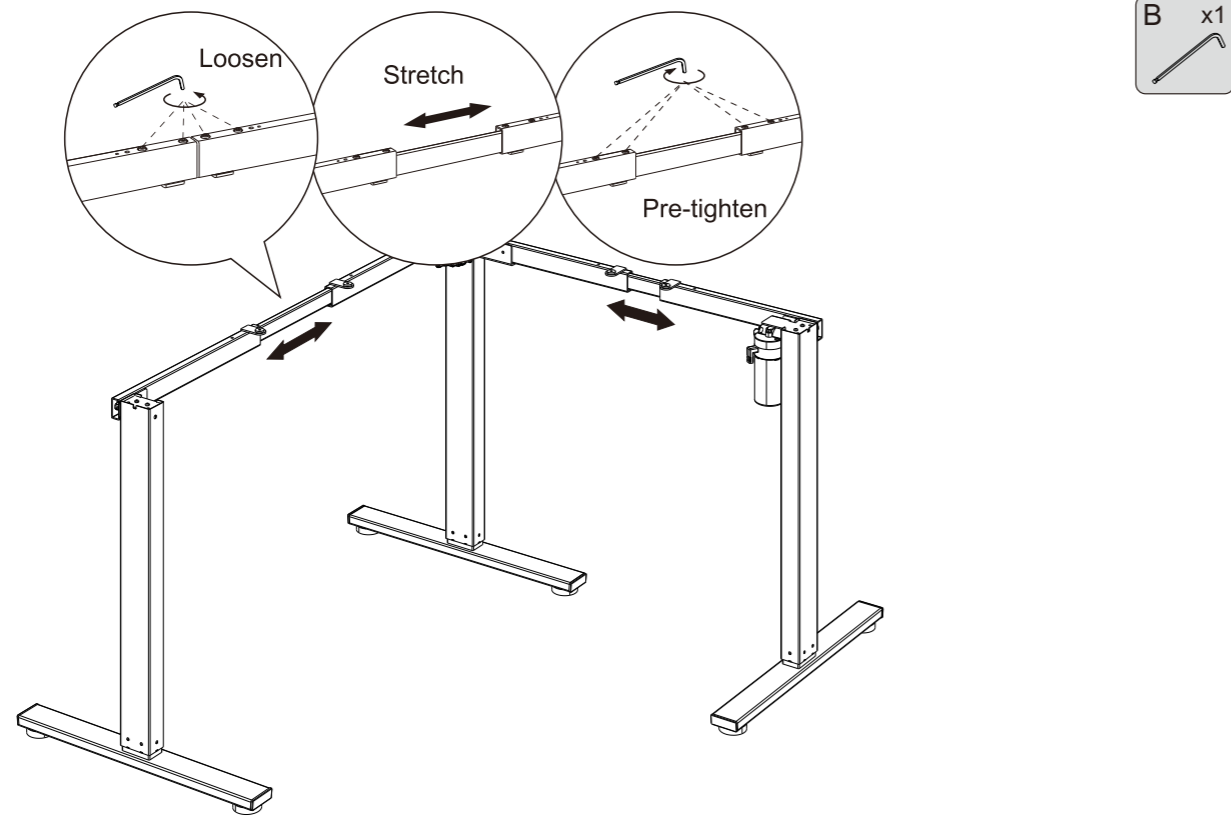
02 Install the desk feet



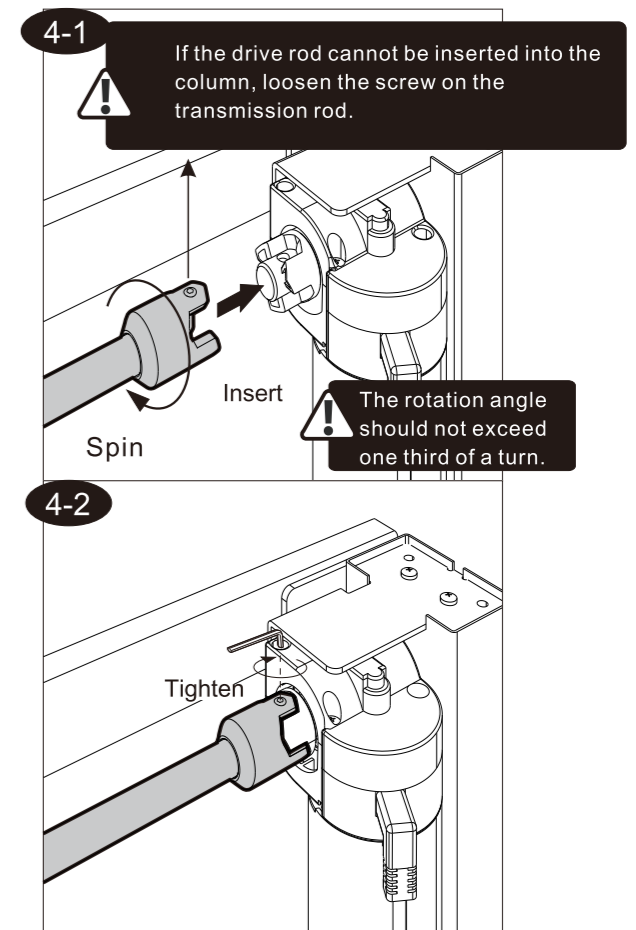
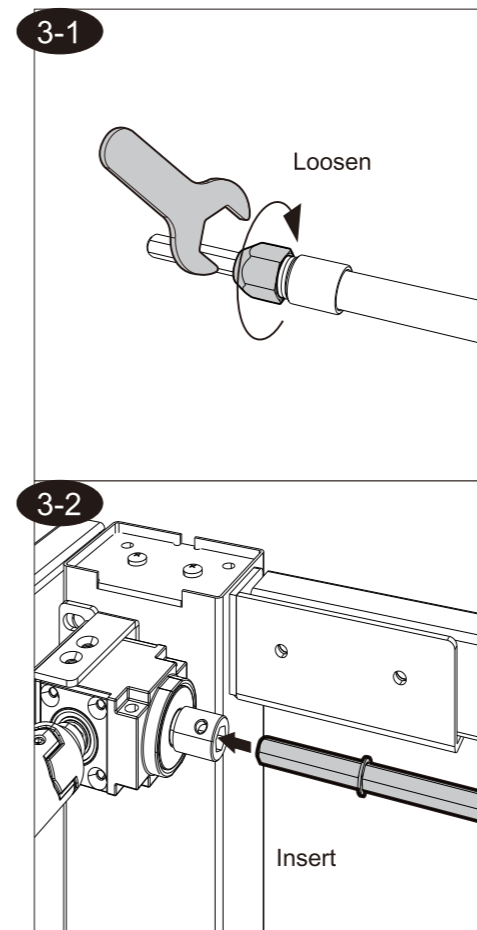
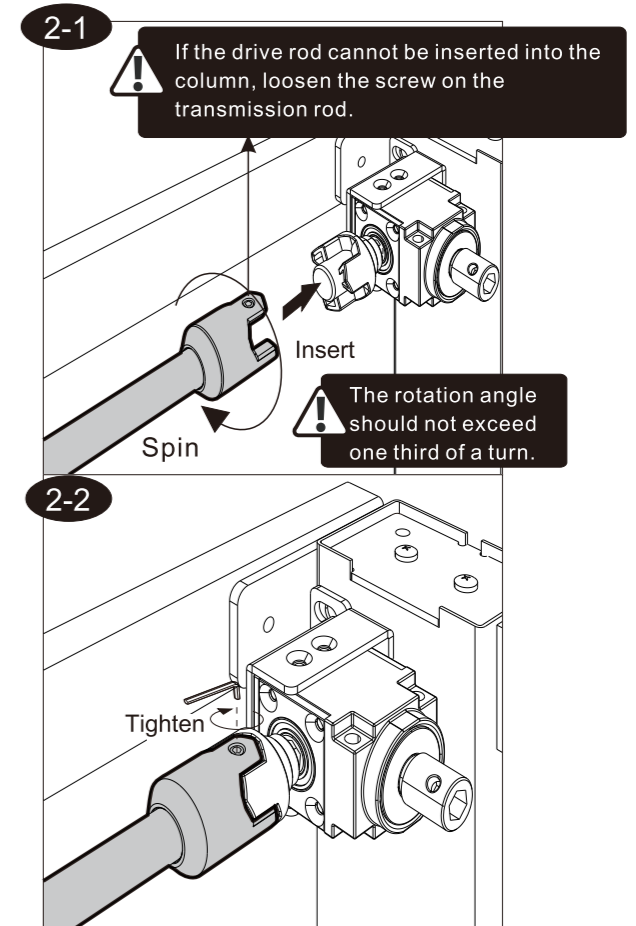
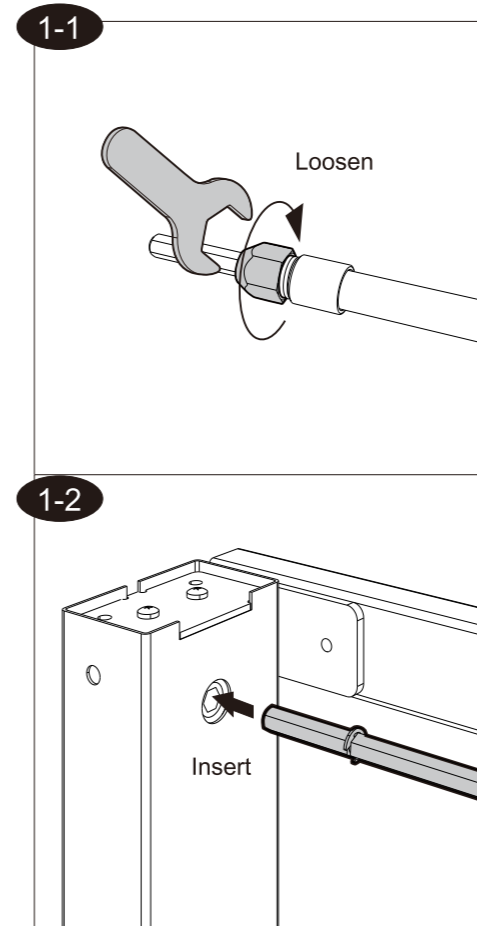
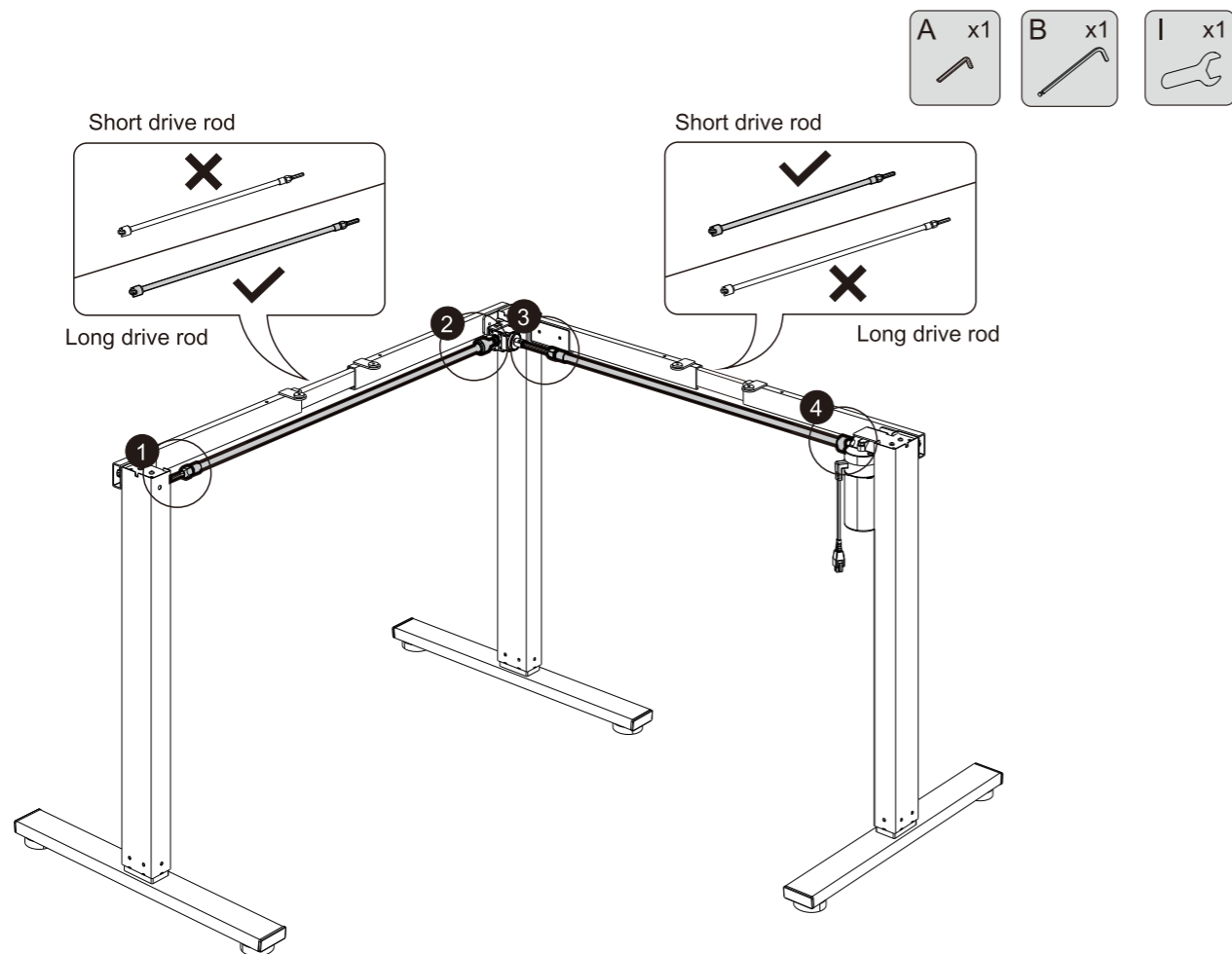
A-3 Install the crossbeam



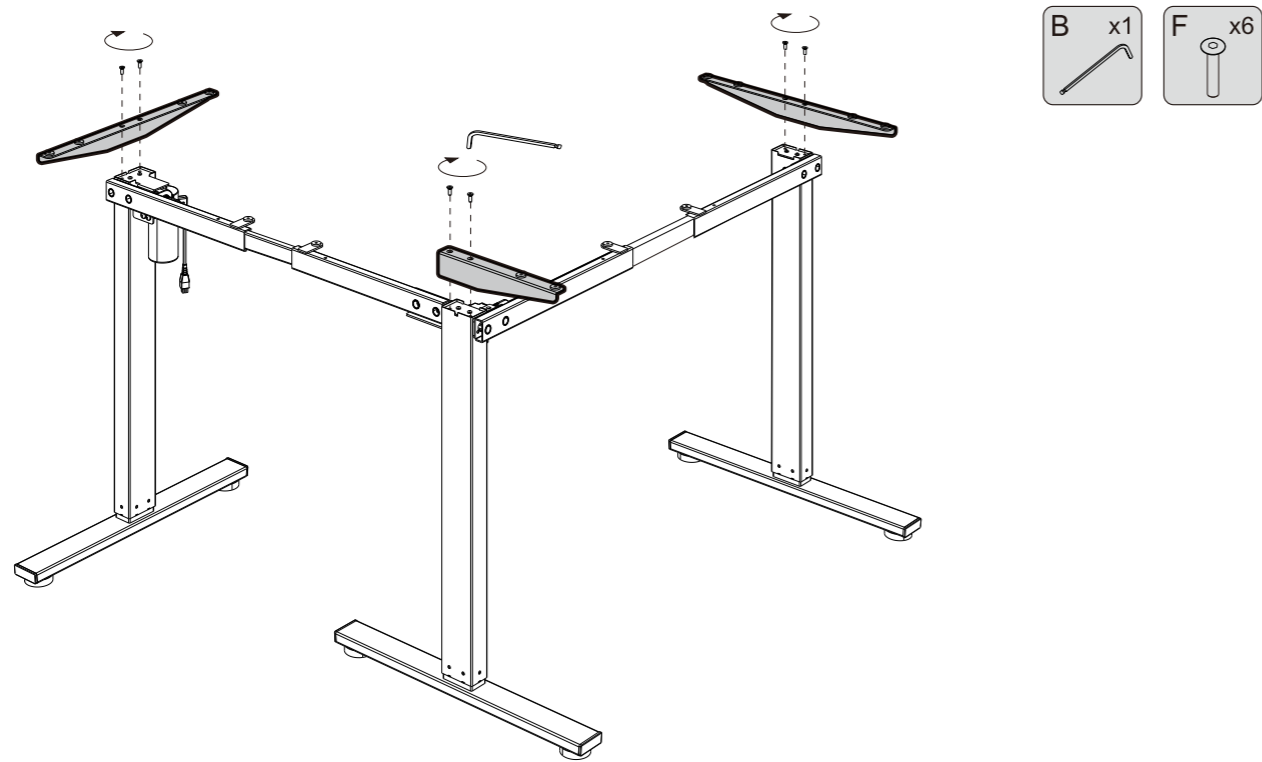
A-4 Extend the crossbeam



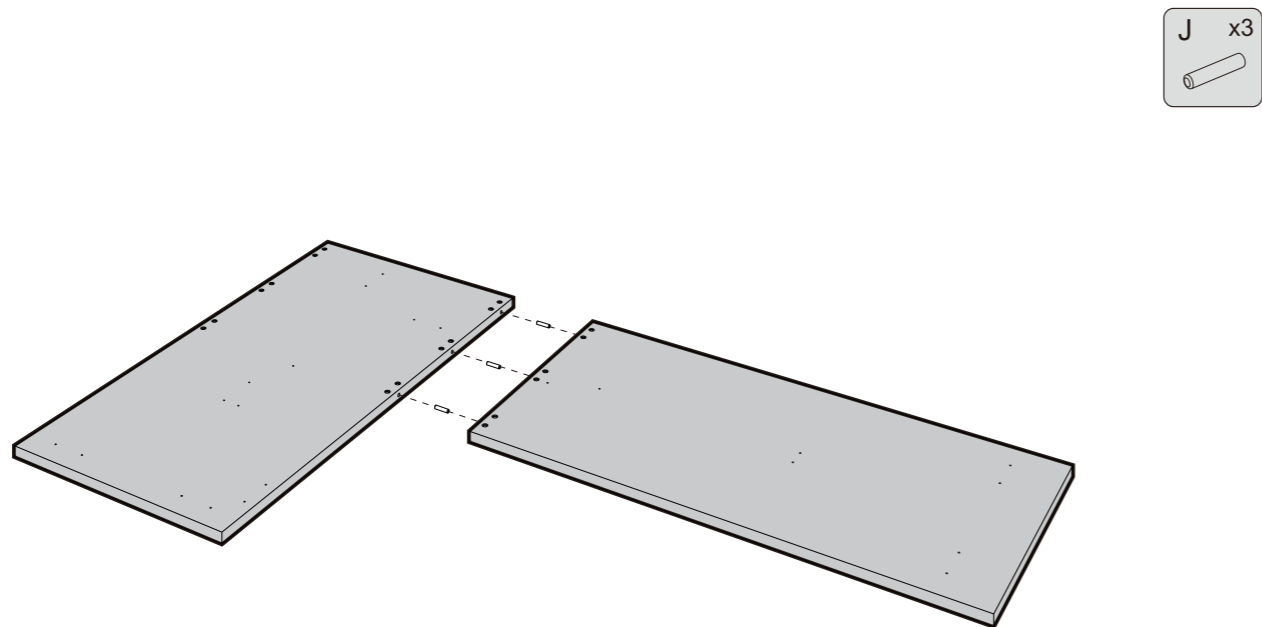
A-5 Install the drive rod



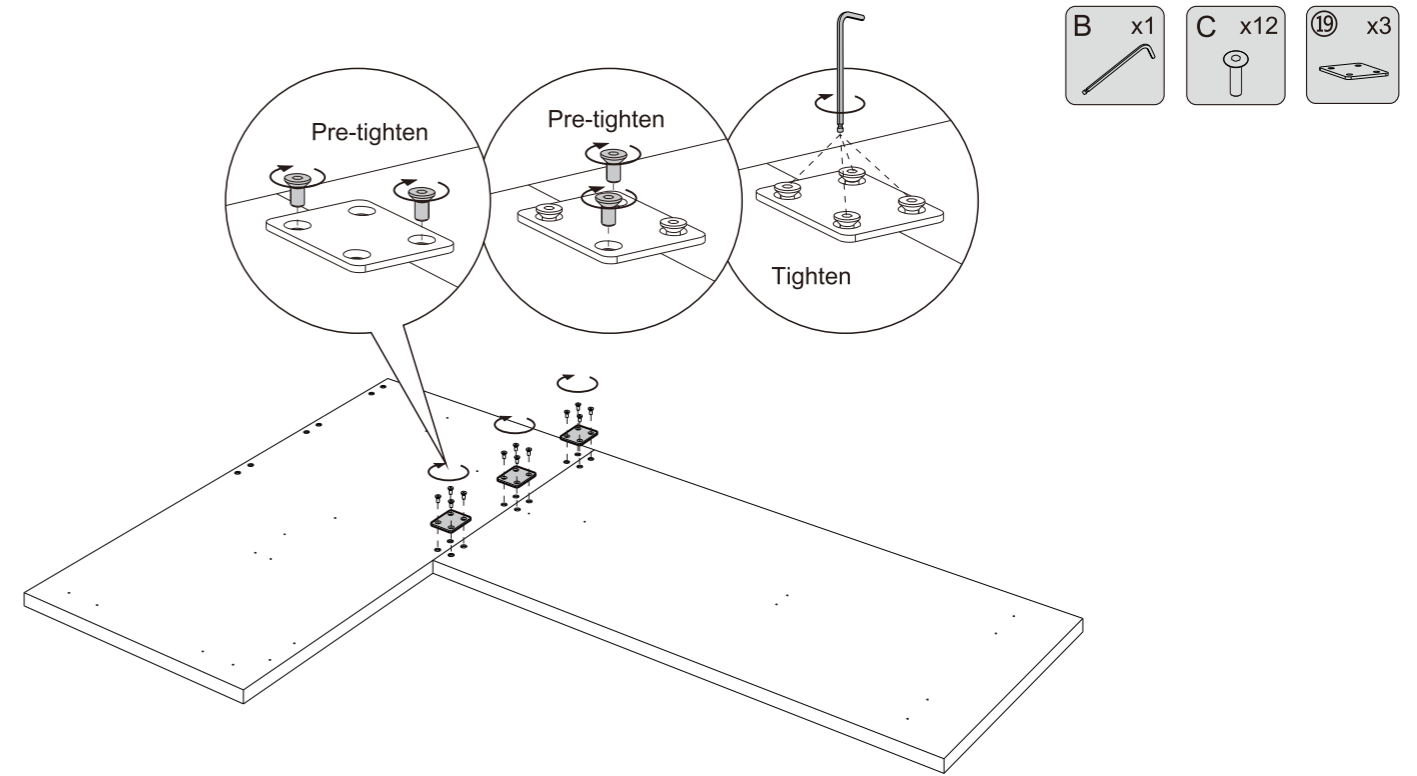
A-6 Install the support plate



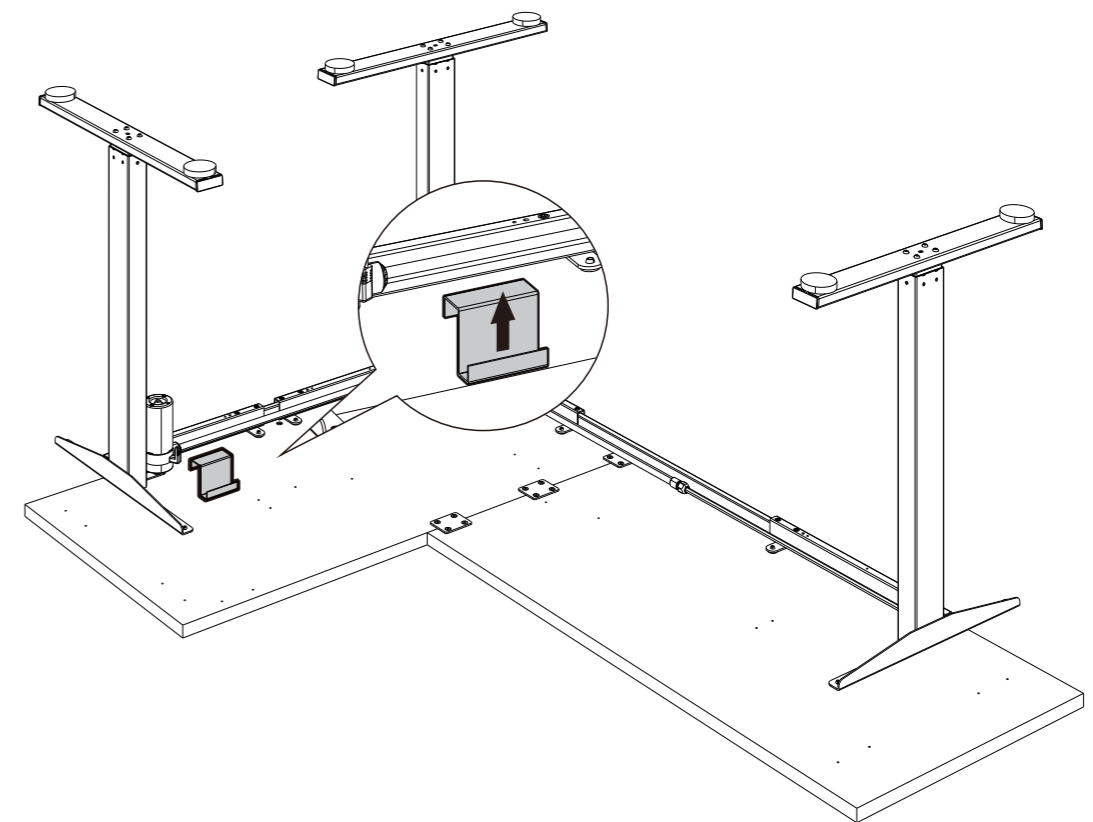
A-7 Insert the dowel



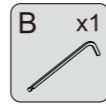
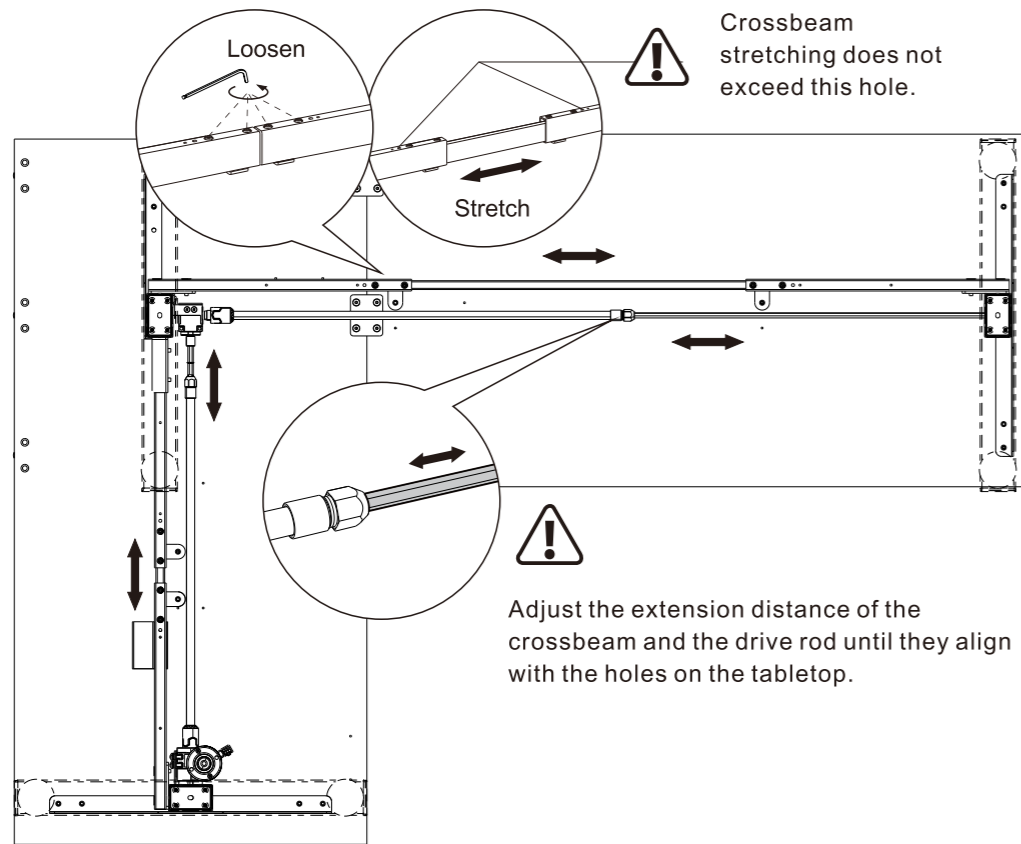
A-8 Connect the desktop



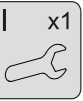
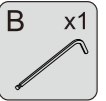
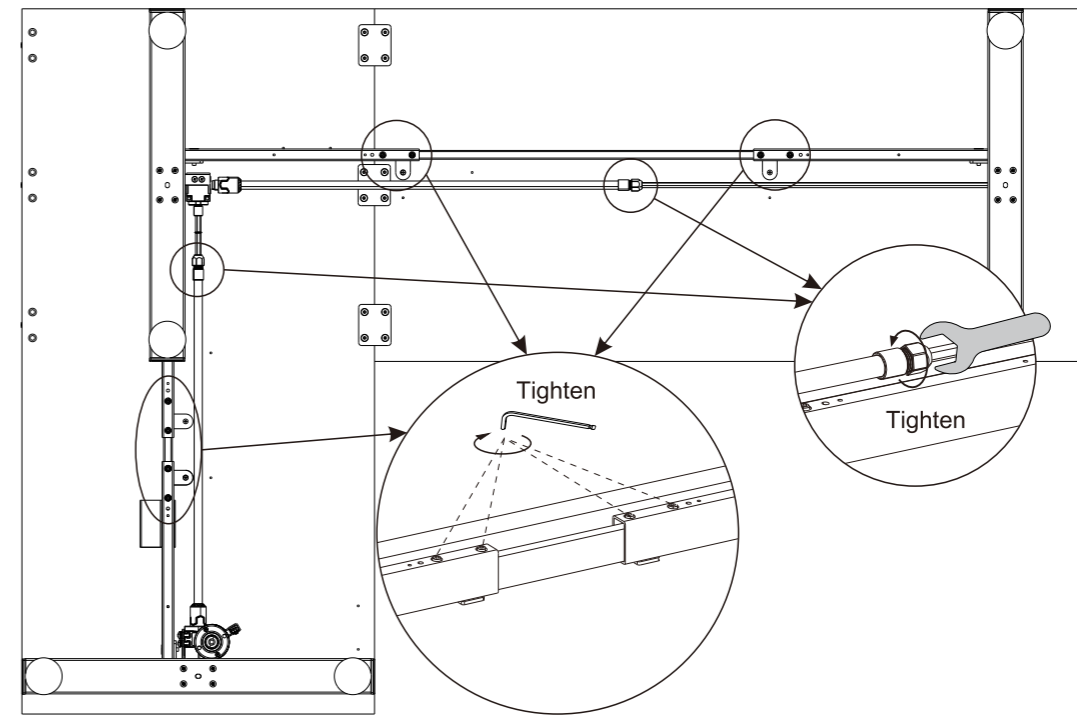
A-9 Install the adapter holder



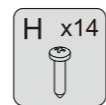
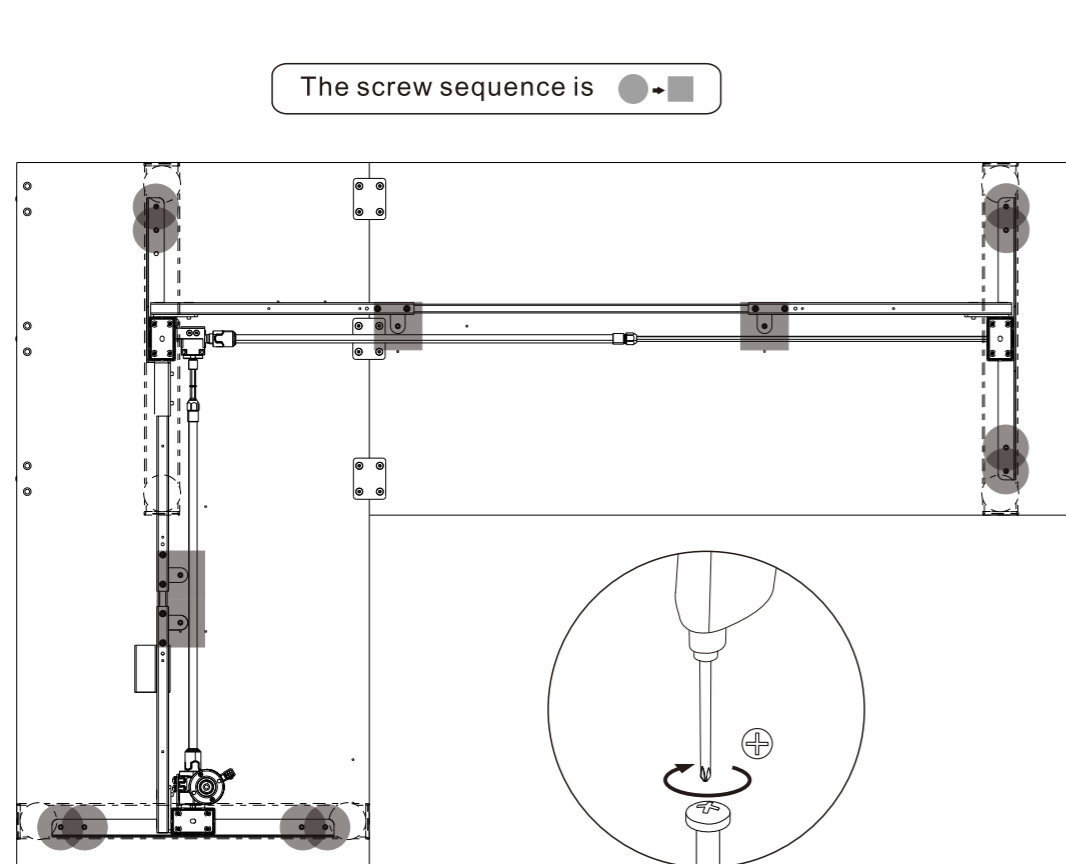
A-10 Adjust the crossbeam and drive rod



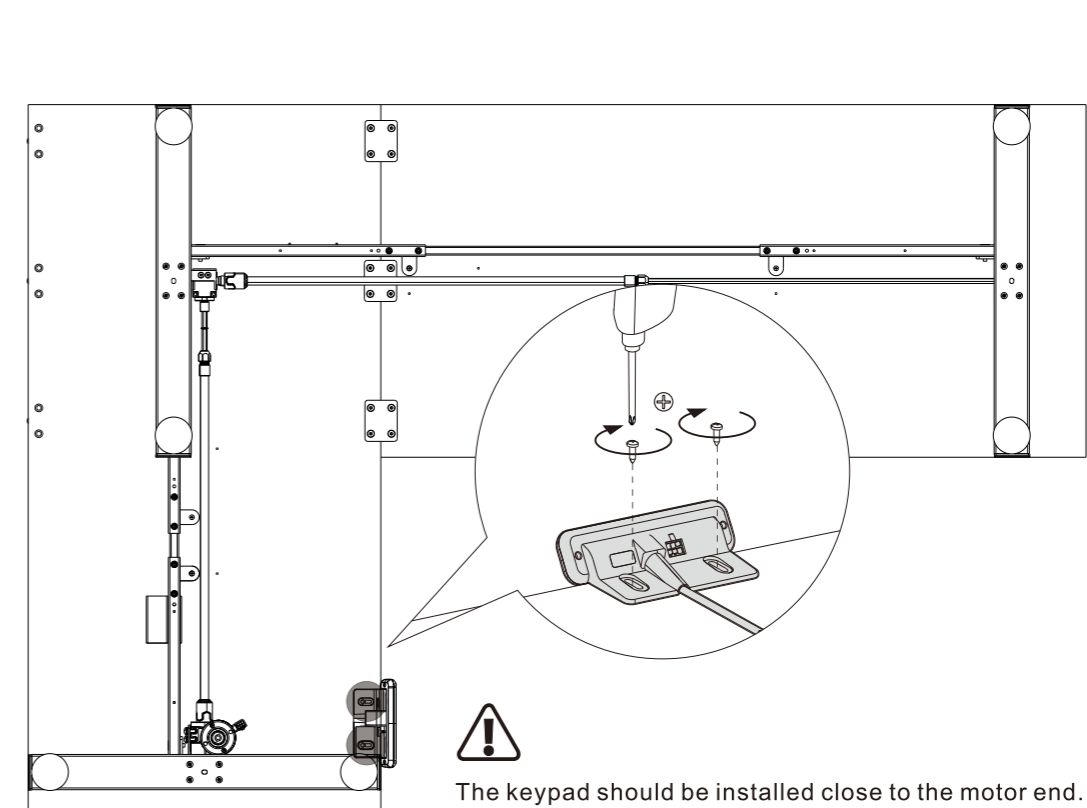
A-12 Tighten the crossbeam and drive rod



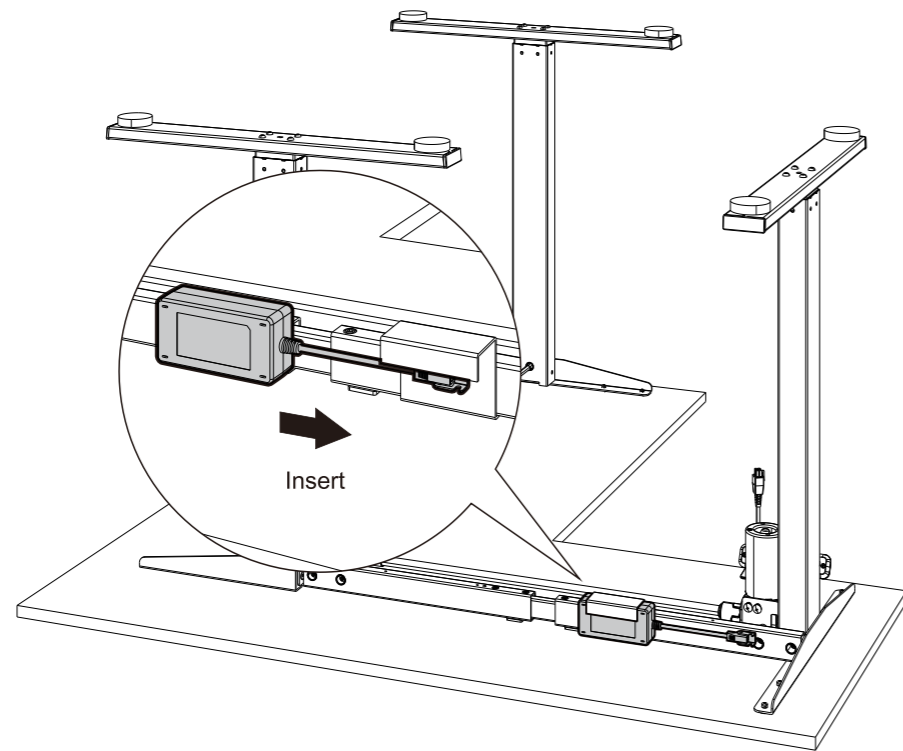
A-11 Install the desktop



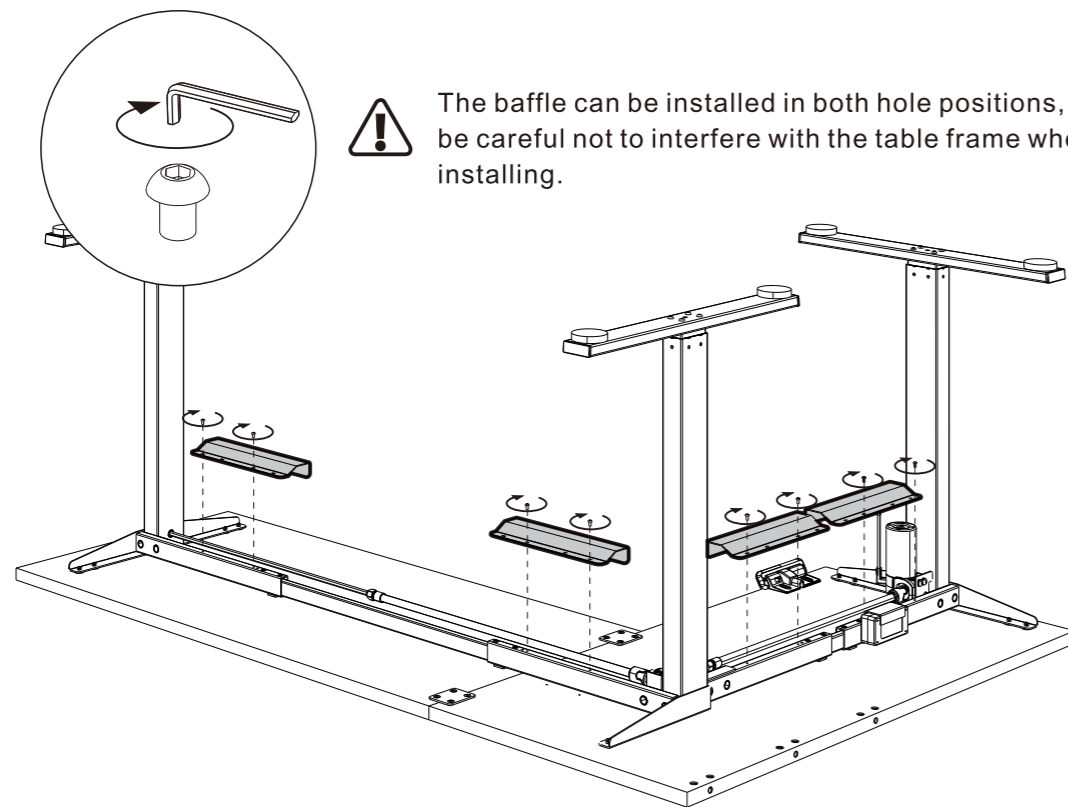
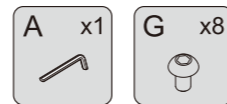
A-13 Install the keypad



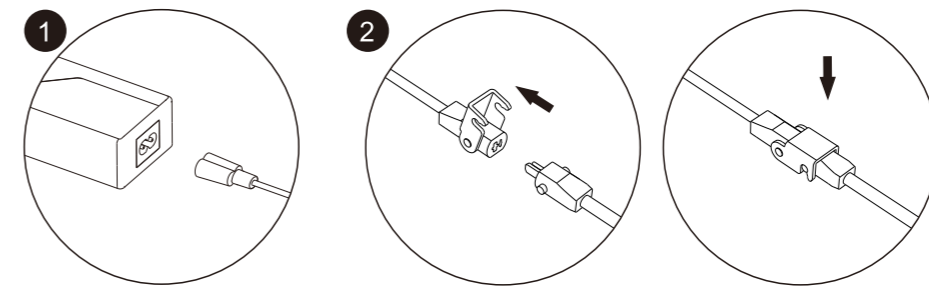
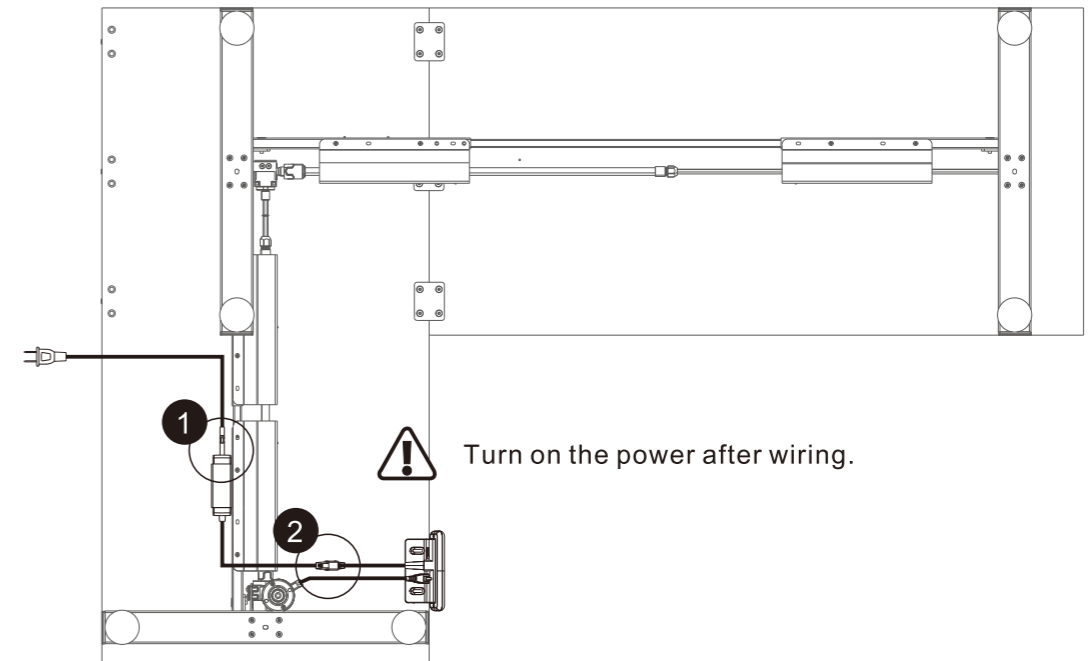
A-14 Install the adapter



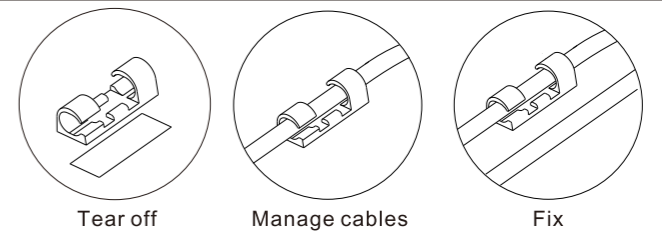
A-15 Install the baffle



A-16 Connect cables

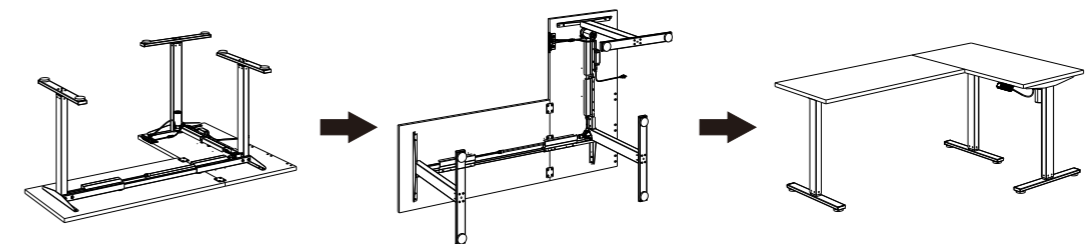


Fix the cables to desktop with cable clip to keep the desk clean.

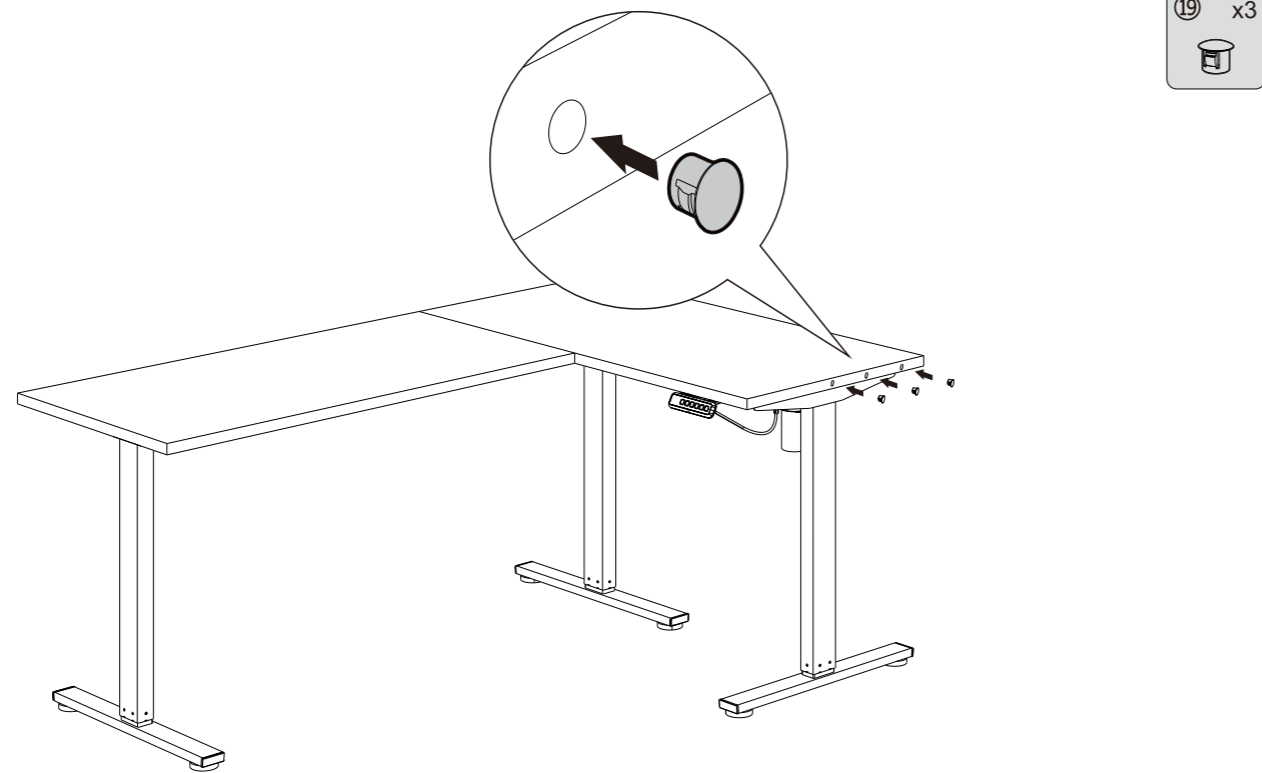


A-17 Turn over the desk

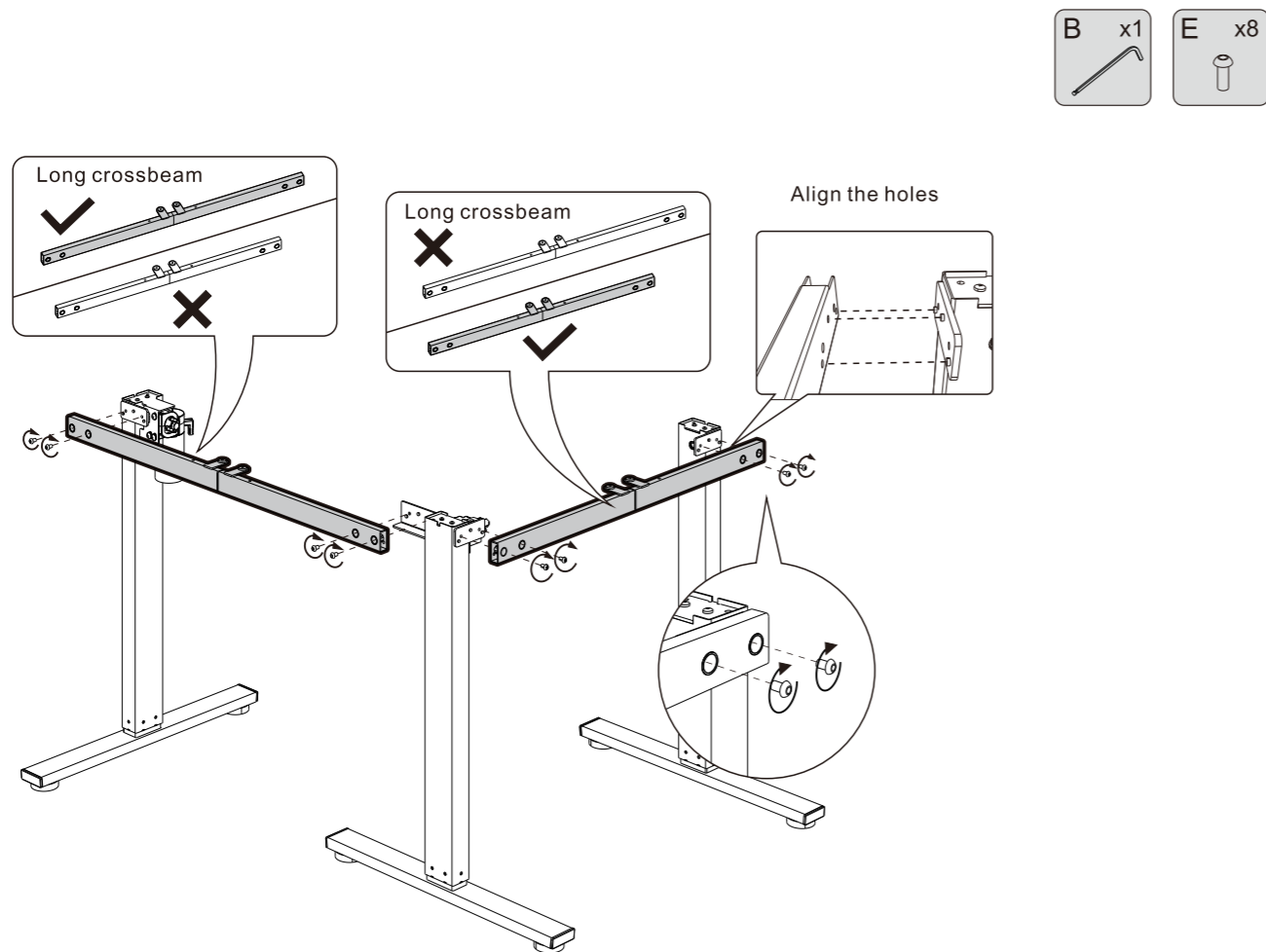
When turning the table over, be careful not to squeeze the handset and turn the end with the handset upwards.



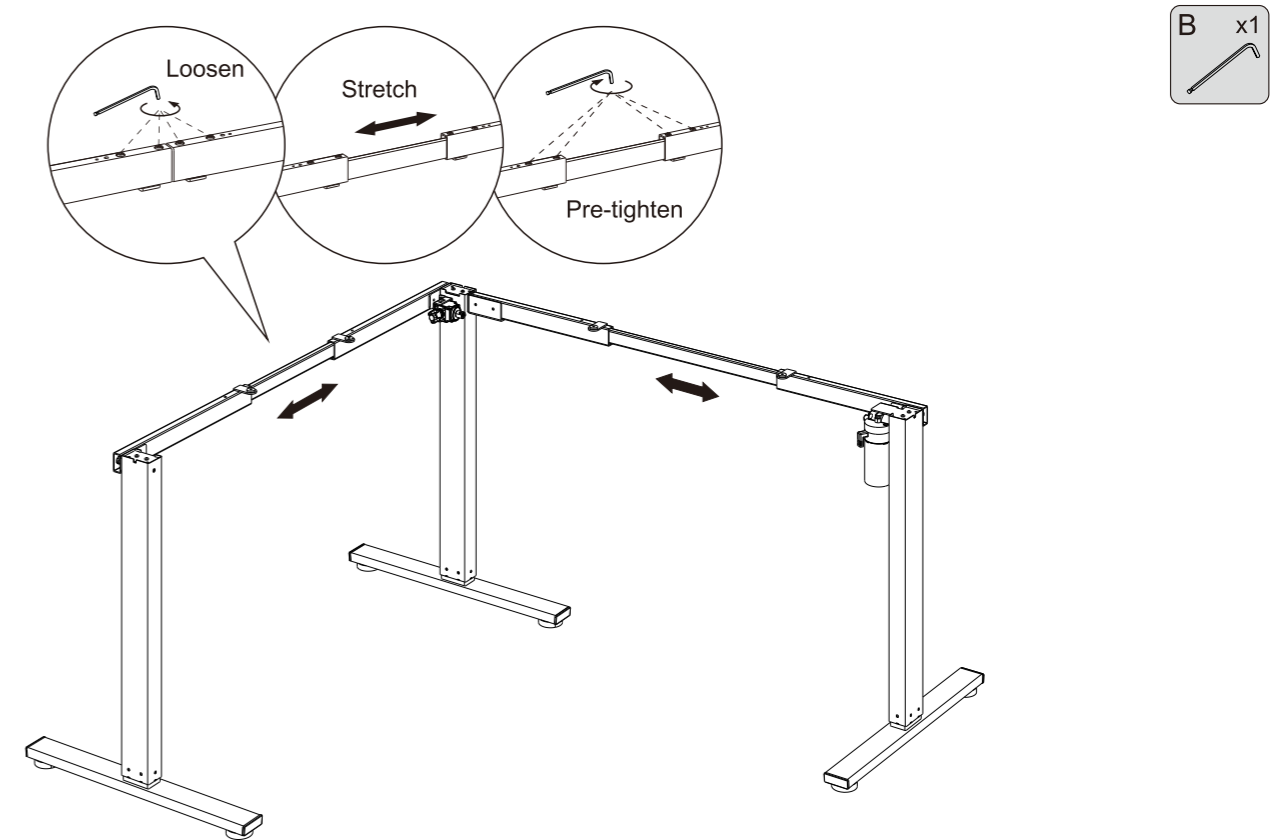
A-18 Install hole plugs



B-3 Install the crossbeam



B-4 Extend the crossbeam



B-5 Install the drive rod

