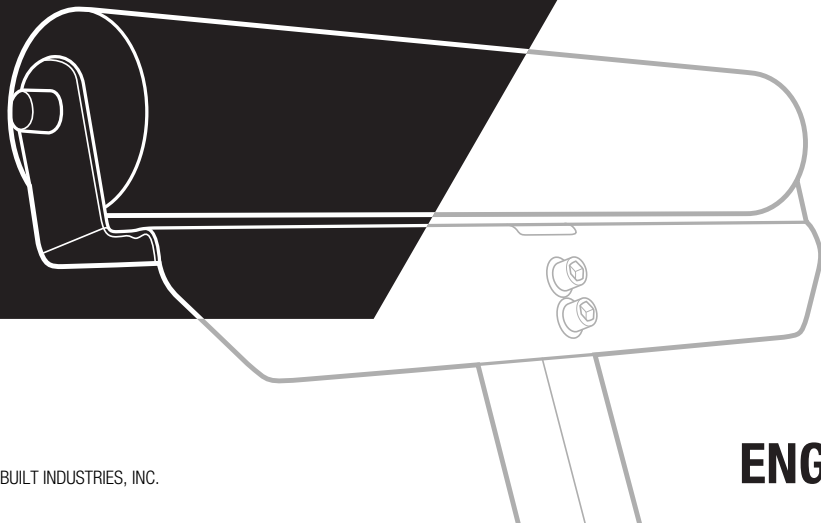


# TOUGHBUILT<sup>®</sup>

## S200 ROLLER STAND

 TB-S200

OPERATOR'S  
MANUAL



© 2023 TOUGHBUILT INDUSTRIES, INC.

**ENGLISH**



TO REDUCE RISK OF SERIOUS INJURY, THOROUGHLY READ AND COMPLY WITH ALL WARNINGS AND INSTRUCTIONS IN THIS MANUAL AND ON PRODUCT.

**KEEP THIS MANUAL NEAR YOUR STAND FOR EASY REFERENCE AND TO INSTRUCT OTHERS.**

## TABLE OF CONTENTS

■ Safety Symbols	EN 02
■ Safety	EN 02
■ Features	EN 03
■ Parts List & Tools Needed	EN 04
■ Bolts, Nuts, Washers	EN 05
■ Assembly Instructions	EN 06
■ Adjustment Instructions	EN 07
■ Transporting & Storing	EN 08
■ Maintenance & Notes	EN 08



BE SURE TO READ AND UNDERSTAND ALL SAFETY INSTRUCTIONS IN THIS MANUAL, INCLUDING ALL SAFETY ALERT SYMBOLS SUCH AS "DANGER", "WARNING" AND "CAUTION", BEFORE USING THIS POWER TOOL. FAILURE TO FOLLOW ALL INSTRUCTIONS LISTED BELOW MAY RESULT IN ELECTRIC SHOCK, FIRE AND/OR SERIOUS PERSONAL INJURY.



Safety alert symbol: Indicates DANGER, WARNING, or CAUTION. May be used in conjunction with other symbols or pictographs.

## ! DANGER

Failure to obey this warning WILL result in death or serious injury to you or to others. Always follow the safety precautions to reduce the risk of fire, electric shock and personal injury.

## ! WARNING

Failure to obey this safety warning CAN result in death or serious injury to you or to others. Always follow the safety precautions to reduce the risk of fire, electric shock personal injury.

## ! CAUTION

Failure to obey this safety warning MAY result in personal injury to you or others or property damage. Always follow the safety precautions to reduce the risk of fire, electric shock and personal injury.

## GENERAL SAFETY INSTRUCTIONS FOR POWER TOOLS

Using power tools of any kind can be dangerous if safe operating procedures are not followed. Recognising the hazards of each tool and using them with respect and caution will considerably limit the possibility of personal injury. However, if safety precautions are ignored, personal injury will likely result. Always use common sense; your personal safety is your responsibility.

- 1 Know your power tool. Read and understand the Operator's Manual and observe the warnings and instruction labels affixed to the tool.
- 2 Properly ground all tools.
- 3 Keep guards in place.
- 4 Remove adjusting keys and wrenches.
- 5 Keep work area clean and dry.
- 6 Keep children away.
- 7 Never leave running machines/tools unattended.
- 8 Disconnect tools for service.
- 9 Use correct tools for the job.
- 10 Never force a tool.
- 11 Wear safety apparel.
- 12 Wear safety glasses/goggles.
- 13 Never stand or sit on tools.
- 14 Replace damaged components immediately.
- 15 Make sure your work platform is sufficiently sturdy to do the specific job at hand.
- 16 Properly anchor blade for job being done.
- 17 Use correct blade for job being done.
- 18 Think Safety. Safety is a combination of operator awareness, common sense and alertness at all times.

## SAFETY INSTRUCTIONS

- 1 Use caution when folding or unfolding legs to limit any finger pinch points.
- 2 Place stand on flat and level surface to keep from rocking or tipping.
- 3 Make sure that work support extensions are within safe operating limits, and are properly locked in place before using tool.
- 4 Test the setup for stability before proceeding with work.

## FEATURES

You have just purchased a S200 Roller Stand. This product has been specifically designed to assist you in the use of your 25cm-30cm mitre saw, as well as increasing efficiency with other bench top tools such as table saws, band saws, scroll saws, planers, etc.

Your S200 Roller Stand is loaded with standard features all designed and engineered to maximise the functionality and flexibility of your Mitre Saw Stand.

- Quickly adjust height from 69cm - 109cm.
- Folds flat for easy storage.
- Galvanised steel rollers provide support & smooth movement.
- 5cm box tube frame creates an extremely strong structure.
- Custom feet keep stand stable and secure.
- Heavy-duty steel construction provides strength and support.

## PART LISTS

	<b>Description</b>	<b>Part Number</b>	<b>Qty.</b>
1	Extension Bar	TB-S200-P-001	x1
2	Stand Assembly	TB-S200-P-002	x1
3	30x30 Rectangle Foot	TB-S200-P-003	x1
4	50x30 Rectangle Foot	TB-S200-P-004	x1
5	Roller Head	TB-S200-P-005	x1
6	Locking Handle	TB-S200-P-006	x1
7	M6x35 Inside Hex Bolt	TB-S200-P-007	x2
8	M6x45 Inside Hex Bolt	TB-S200-P-008	x4
9	Φ6 Flat Washer	TB-S200-P-009	x6
10	M6 Lock Nut	TB-S200-P-010	x2
11	Φ6 Spring Washer	TB-S200-P-011	x4

## TOOLS NEEDED

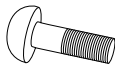
\*\*PARTS MAY CHANGE WITHOUT PRIOR NOTICE.



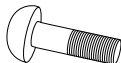
**5mm HEX KEY /  
HEX SPANNER**

# BOLTS, NUT, WASHERS

7 M6x35 Inside Hex Bolt x2



8 M6x45 Inside Hex Bolt x4



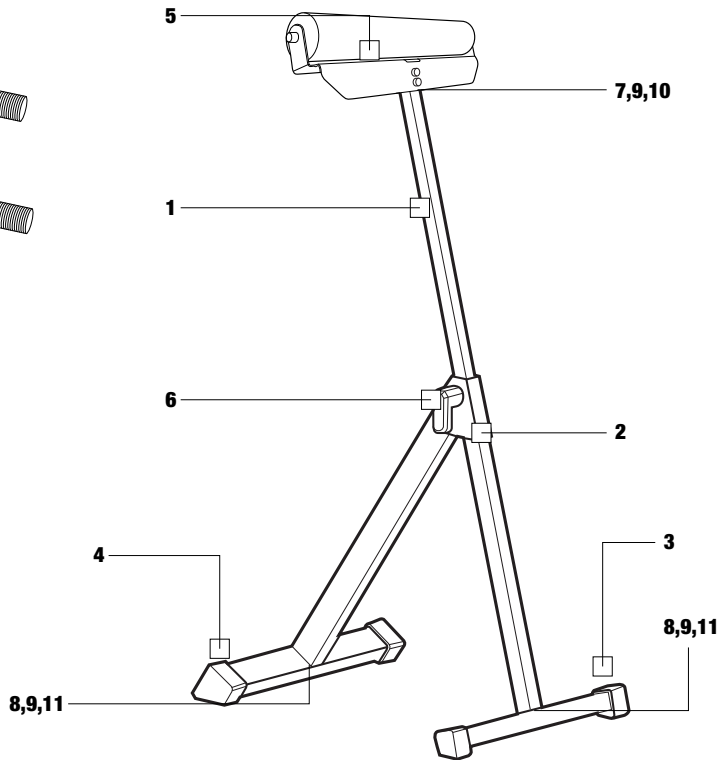
9  $\Phi$ 6 Flat Washer x6



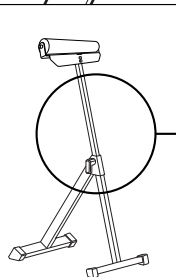
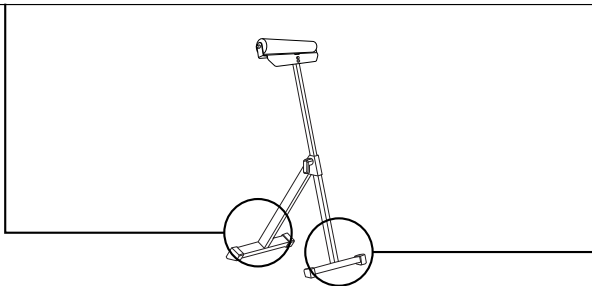
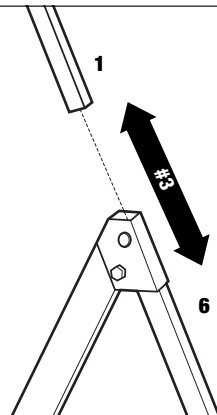
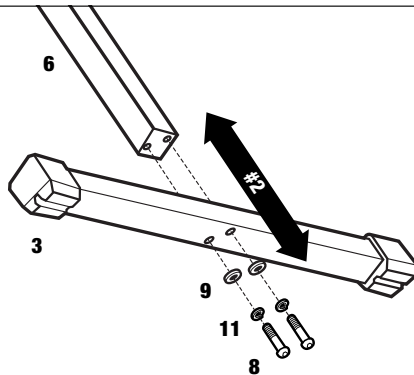
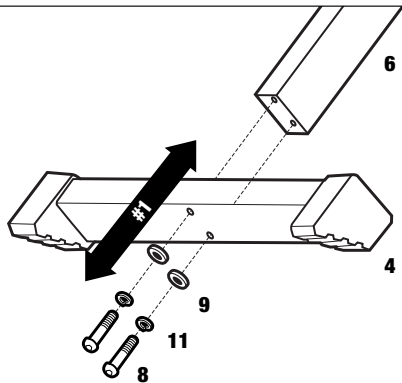
10 M6 Lock Nut x2



11  $\Phi$ 6 Spring Washer x4

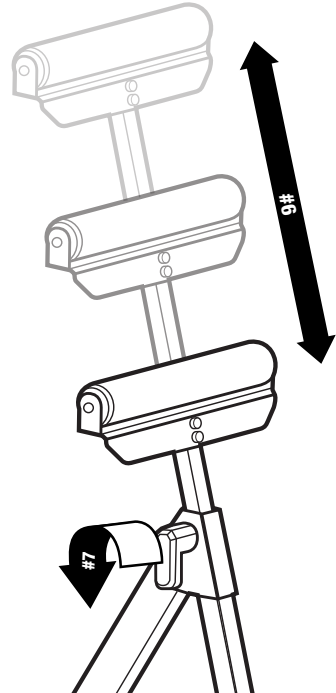
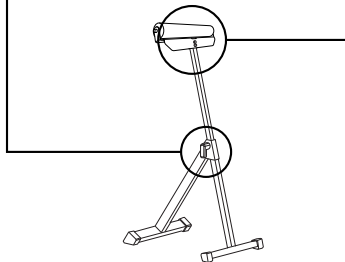
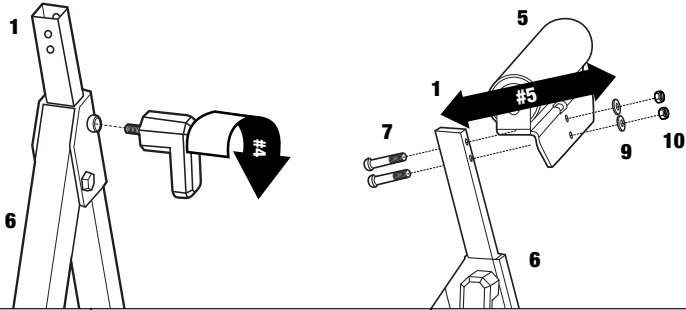


# ASSEMBLY INSTRUCTIONS



# ADJUSTMENT INSTRUCTIONS

**QUICKLY ADJUST HEIGHT**  
from 69cm - 109cm





**25 YEAR** EXTENDED  
**GUARANTEE**  
WITH REGISTRATION



**DESIGNED & ENGINEERED IN THE USA    MADE IN CHINA**    © 2023 DISTRIBUTED BY TOUGHBUILT INDUSTRIES, INC.

TOUGHBUILT INDUSTRIES UK LTD, BUNSCHOTENWEG 160, 3089KC ROTTERDAM, THE NETHERLANDS    TEL:+44-20-8004 4040    **WWW.TOUGHBUILT.COM**