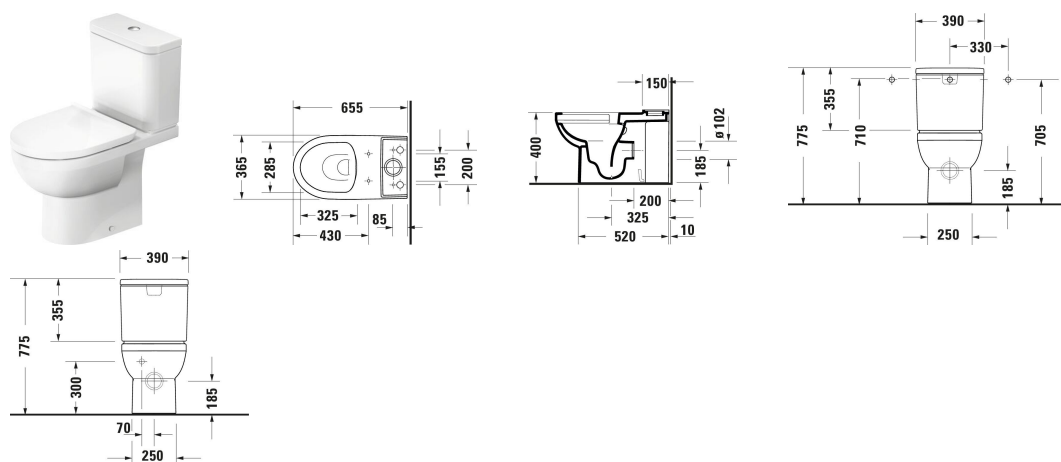


Duravit No.1 Toilet close-coupled # 218309..002 / 218309..002

| < 365 mm > |



Toilet close-coupled	Dimension	Weight	Order number
Flush water quantity: 4,5/3 l, Washdown model, Rimless, Outlet drain: horizontal, Position outlet: Back, Incl. cistern: No, Flush principle: washdown model, For bowl mounted cistern, Incl. mounting material, Unified Water Label (UWL) Class: 1			
Colors			
00 White Alpin 20 HygieneGlaze (an antibacterial ceramic glaze that provides almost indefinite effectiveness)			
Variant			
<ul style="list-style-type: none"> White High Gloss, Flush water quantity: 4,5 l 	365x420 mm	27.100 kg	218309..002
<ul style="list-style-type: none"> White High Gloss, HygieneGlaze 	365x420 mm	27.100 kg	218309..002
Infobox			
Alternatively, a standard toilet seat can be installed			
Accessory			
Conversion set	310 x 30 mm	0.16 kg	007508
Vario connecting bend Diamter of inlet: 75 mm, Diameter drain: 90 mm	351 x 134 mm	0.87 kg	899025
Connector Set Outlet drains	397 x 397 mm	1.29 kg	001422
Suitable products			
Toilet seat Soft-closing: No, Hinge material: Stainless steel, 376 x 446 mm	376 x 446 mm		006420
Toilet seat Soft-closing: Yes, Hinge material: Stainless steel, 453 x 374 mm	453 x 374 mm		006429

Duravit No.1 Toilet close-coupled # 218309..002 / 218309..002

|< 365 mm >|

Toilet seat Shape: Rectangular, Soft-closing: Yes, Hinge material: Stainless steel, 373 x 430 mm	373 x 430 mm	002079
Toilet seat Shape: Rectangular, Soft-closing: No, Hinge material: Stainless steel, 373 x 430 mm	373 x 430 mm	002071
Cistern Incl. mechanism, Dual Flush, Water connection position: Right, Left 3/8", Surface of push button: Chrome, 390 x 170 mm	390 x 170 mm	094100
Cistern Incl. mechanism, Dual Flush, Water connection position: Bottom left, Surface of push button: Chrome, 390 x 170 mm	390 x 170 mm	094110
Cistern Incl. mechanism, Dual Flush, Water connection position: Bottom left, Back 1/2", Flush operation position: Top, Surface of push button: Chrome, Concealed connection, 390 x 170 mm	390 x 170 mm	094120

All drawings contain the necessary measurements which are subject to standard tolerances. They are stated in mm and are non-binding. Exact measurements, in particular for customised installation scenarios, can only be taken from the finished piece.