

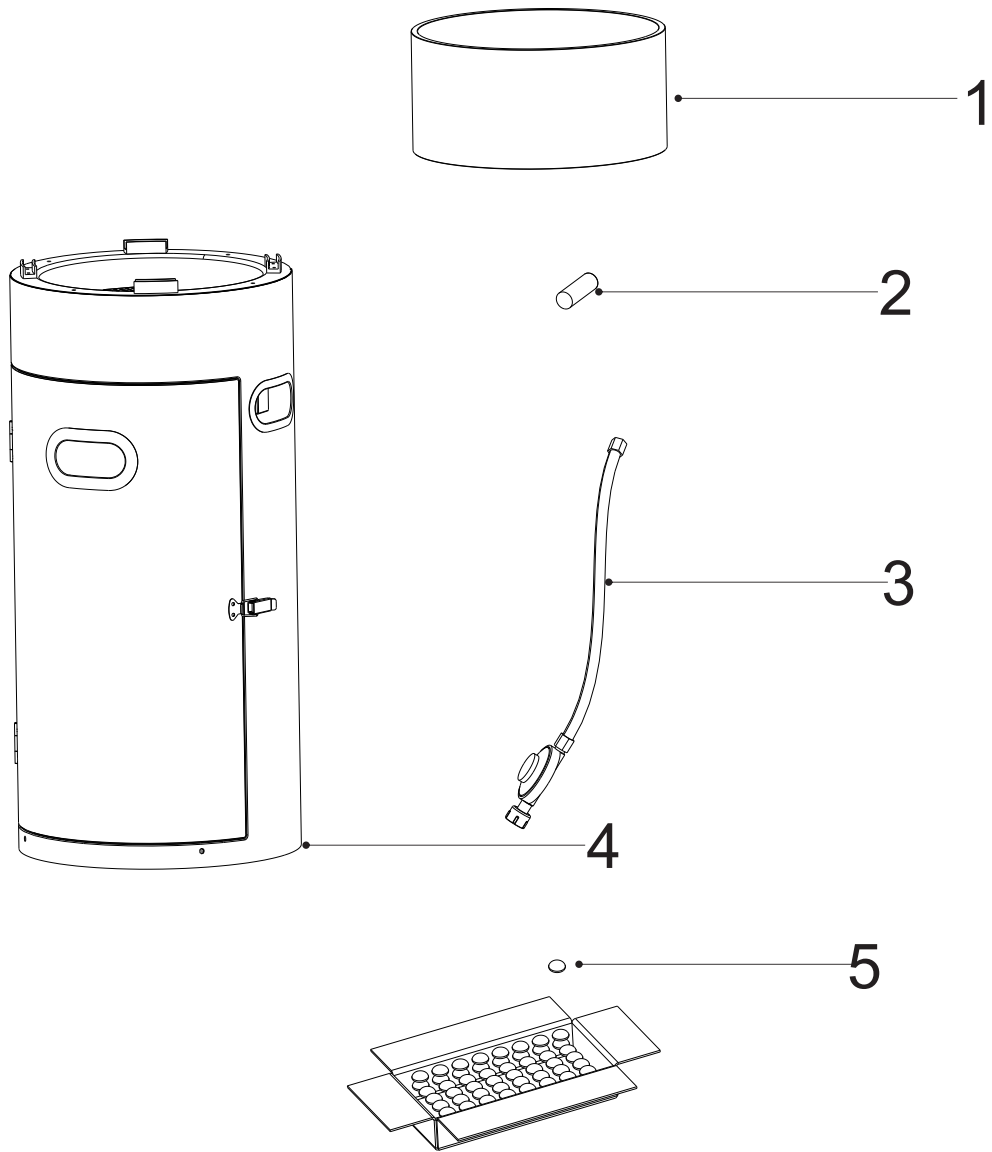


GB Operating Manual
Gas Fire Pit „RIVERTON“



ONLY FOR WEATHER-PROTECTED OUTDOOR AREAS!
The use of this device in an enclosed space can be dangerous
and is **FORBIDDEN!**

Version 2022
Art. No. 3322UK



Contents

Before using the device	5
Scope of delivery	5
Intended use	5
For your safety	5 - 6
Signal symbols	5
General safety instructions	5
Safety instructions	5 - 6
Before first use	6
Assembly	6 -7
Unpacking	6
Assembling the gas fire pit	6 - 7
Connecting the Gas Bottle	6
Regulator and Hose	6
The Gas Bottle	6
Connection to the fire pit	6
Checking for Gas Leaks	6
Inserting the battery	8
Setting up the fire pit	8
Operation	8
Ignition system	8
Maintenance and Cleaning	9
Troubleshooting	9
Disposal	9
Declaration of conformity	9
Technical details	9
Service	9
Distributor	9

Before using the device

After unpacking and before every use, check whether the item shows any signs of damage.

Should this be the case, do not use the item, but notify your retailer.

The operating manual is based on the norms and regulations that are applicable in the European Union. In non-EU countries, observe country-specific directives and laws!



Before start-up, first read through the safety information and the operating manual carefully. Only by doing so will you be able to use all of the functions safely and reliably.

Keep the operating manual and pass it on to any third party that might own the fire pit after you.

Scope of delivery

Protective glass ring
Glass stones
Hose and regulator
Gas fire place
Protective cover

Please check that the delivery is complete and undamaged. Should a part be missing or defective, please contact your dealer.

Claims relating to damages or missing parts made after assembly has taken place or commenced will not be recognised.

Intended use

This gas-powered device is mainly used for decorative purposes and secondarily for heating sheltered outside areas - such as terraces or the like.

Only use the item as described in this operating manual. All other uses are considered improper and can lead to material damage or even to personal injuries.

The manufacturer accepts no liability for damages caused by improper use.

This gas fire pit is only suitable for private use.

For your safety

Signal symbols

Danger High risk!



Failure to observe the warning can lead to potentially fatal injuries.

Attention Moderate risk!



Disregarding this warning can lead to property damage.

Caution Low risk!



Facts that should be respected when handling the device.

GENERAL SAFETY INSTRUCTIONS

- to be observed in each use

- **ONLY FOR WEATHER-PROTECTED OUTDOOR AREAS!**
- **The use of this device in an enclosed space can be dangerous and is FORBIDDEN!**
- **Read the operating instructions before using the device.**
- **ATTENTION! Accessible parts can be very hot. Keep children away.**
- **Do not move the device during operation.**
- **After use, shut off the gas supply on the gas bottle.**
- **When using and maintaining the device, national rules and regulations may have to be observed.**

Do not use the device in:

Rooms

Cellars, basements and rooms that are below ground level

Recreational vehicles such as caravans / mobiles and boats

Do not use charcoal or any other fuel on this device. The gas fire pit must never be operated with fuel other than liquid gas (propane / butane).

No part of the device is suitable as a grill surface.

SAFETY INSTRUCTIONS

Danger Fire hazard!



Parts of the device become very hot during operation and can cause fires.

- It is essential that you have a fire extinguisher and first-aid kit ready and be prepared for an accident or fire.
- Place the device on an even, horizontal, secure, heat-resistant and clean surface.
- Set up the device with at least 1 m clearance from highly flammable materials such as awnings, wooden patios or furniture.
- Do not move the device during use.
- Before each change of location, the device must be switched off and the gas bottle removed from the device.
- Do not leave the device unattended during operation.
- Do not use sprays near the device.

Danger Fire hazard!



Do not cover the device to prevent overheating.



Under no circumstances may the device be covered with clothing, blankets, insulating or similar material.

Danger Risk of burning and accidents!



This device is not intended for use by persons (incl. children) with limited physical, sensory, or mental capacities or lacking experience and/or lacking knowledge.

Such persons must be informed about the dangers of the device and supervised by a person responsible for their safety.

- Any changes to the product represent a major safety hazard and are prohibited. Please do not make any changes to the device yourself!
- Keep children and pets away from the device.

The device becomes very hot during use. Any contact can result in serious burns.

- Keep sufficient distance from the hot parts, since any contact can lead to severe burns.
- Let the device cool down completely before cleaning and/or storage.
- Please note that various components can store heat and so can still lead to burns after using the device.

Danger Risk of poisoning and suffocation!



In addition to generating heat, the combustion of propane / butane generates small amounts of carbon monoxide (CO).

- **The use of this device in an enclosed space can be dangerous and is FORBIDDEN!**

Danger Risks to children!



While playing, children can become caught in the packaging film and choke.

- Do not let children play with the packaging films.

Danger Risk of injury



Do not set up the device near entrances or in high-traffic areas.

- Always be attentive to and aware of what you are doing. Do not use this product if you are unfocused or tired, or if you are under the influence of drugs, alcohol, or medications. Just one moment of carelessness during use of the product can lead to serious injuries.

Attention Risk of damage!



Do not use any strong or grinding solvents or abrasive pads, since these can attack the surfaces and leave behind scrape marks.

Danger Risk of burning and accidents!



Caution! If you detect the smell of gas:

- Immediately close the gas intake of the gas bottle.
- Extinguish all open flames.
- Do not operate any electrical devices.
- Ventilate the surrounding area.
- Carry out a leakage point test, as described in this operating manual.
- If, after testing and once the leakages have been remedied, you continue to detect the smell of gas, do not continue to use the device. Immediately contact the dealer from whom the device was purchased.

Danger Risk of burning and accidents!



Do not store the device in immediate proximity to combustibles (e.g. petrol) or other flammable liquids or gases.

- The gas bottle must be separated from the device during storage.
- Replace the gas cylinder in a flame-free environment.

Danger Risk of burns and injury!



Do not make any changes to the device. Use only original accessories.

- Any change to the device, especially to the gas-carrying parts, is strictly forbidden, leads to the immediate expiry of the guarantee and can also be dangerous!

- For your own safety, only use accessories and additional devices that are expressly specified in the operating instructions or recommended by the manufacturer.

Danger Risk of burns and injury!



No part of the protection against accidental contact may be permanently removed.

- The contact protection serves to prevent fire hazards and burns.
- **Danger!** It does not offer full protection for small children and frail people!

Danger Risk of explosion!



Do not use the device in potentially explosive atmospheres with substances such as flammable liquids, gases and especially paint and dust mist. These substances can ignite from hot surfaces of the device.

Danger Risk of injury!



Failure to follow the instructions can lead to problems and hazards when using the device.

- Follow all the instructions listed here.

Before first use

Check whether the scope of delivery is complete and in perfect condition.

Contact your dealer immediately if the scope of delivery is incomplete or defective.

Do not operate the device if it is defective.

Assembly Unpacking

Danger Dangers to children!



Children can get caught in the packaging film while playing and suffocate.

- Do not let children play with the packaging material.
- Make sure that children do not put small assembly parts in their mouths. They could swallow the parts and choke on them.

- Unpack the device and check for completeness.

Assembling the fire pit

Assemble the fire pit as shown.

Step 1

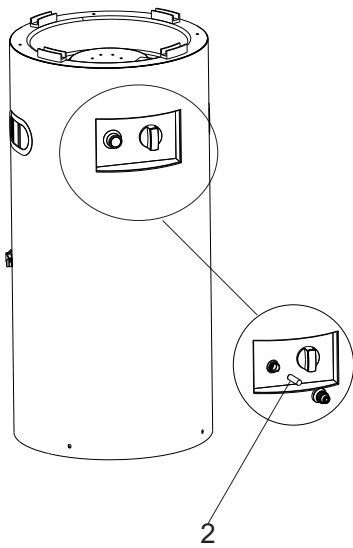
Inserting a Battery (not included)

The battery compartment is located in the front panel next to the controller.

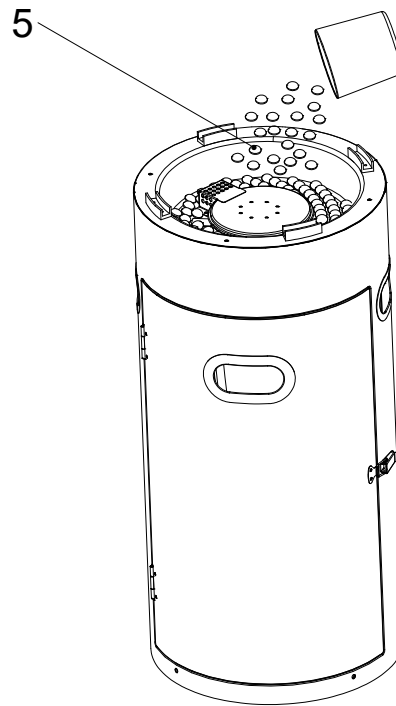
For automatic ignition of the flame it is necessary to put a 1.5V AA size battery (not included) in the device.

Remove the battery compartment cover and insert the battery (2). Pay attention to correct polarity (+/-). The positive pole of the battery must point outwards. Close the battery compartment by screwing the cover back on.

The battery compartment cover also functions as a push button for the piezo igniter. Inserting the battery makes it functional.

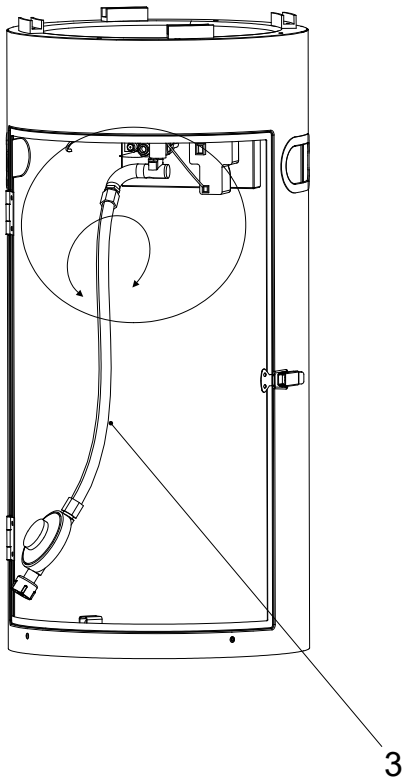


Step 3



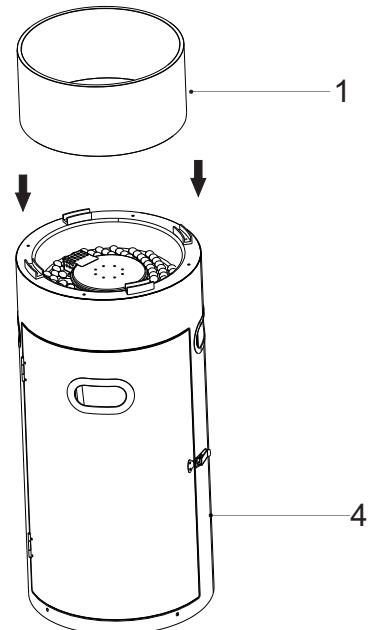
Place the glass stones (included) in the burner area.

Step 2



Connect the hose and regulator.
See *Connecting the gas bottle*

Step 4



Place the protective glass ring over the burner.
NEVER use the device without protective glass.

Connecting the Gas Bottle

This fire pit is suited only for low-pressure butane/propane gas and must be equipped with a suitable low-pressure regulator and a flexible hose. The gas hose must be connected with suitable hose clamps. Use a suitable regulator that is certified according to BSEN 16129:2013-08. Inquire about suitable regulators for gas bottles at your LPG gas supplier. For the operation of this fire pit, you require a commercially available 5 kg bottle of propane/butane gas.

Please note: The gas bottle and gas hose have a left-hand thread!

Regulator and Hose

These accessory parts are supplied with the gas fire pit. Replacements are available at your fire pit distributor or an authorised LPG gas supplier. Use only regulators and hoses that are certified for LP gas with the pressure values mentioned. The lifespan of the regulator is approximately 2 years. It is recommended that the regulator be exchanged within 2 years from the production date.

The use of an incorrect or defective regulator and gas hose is dangerous. Before each use of the gas fire pit, check that the correct parts are being used.

The gas hose used must conform to the regulations and provisions of the country in which the fire pit is being used. The length of the gas hose must not exceed 1.5 metres. Worn or damaged hoses must be exchanged immediately. **The hose must be connected without twists or bends.** Ensure that the gas hose is not bent or constricted and that it does not come into contact with the gas fire pit, with the exception of the hose connection.

The Gas Bottle

A gas bottle is not supplied with this fire pit. The gas bottle must be provided by the end user. Do not drop your gas bottle or handle it roughly or inappropriately.

When the fire pit is not being used, the gas bottle must be separated from the fire pit. Fit the gas bottle with its protective cap once it has been disconnected from the fire pit. The gas bottle must be stored separate from the fire pit.

The storage of gas bottles is not permitted in underground spaces, in stair wells, passageways and thoroughfares of buildings, or in their immediate vicinity. The valves must be fitted with valve protection caps and lock nuts. Gas bottles - including empty ones - must be stored upright.

Gas bottles must be stored outdoors in an upright position and out of reach of children. The gas bottle must not be stored in areas in which the temperature exceeds 50°C. Do not store the gas bottle near flames or other flammable sources. **Do not smoke in the vicinity of gas bottles!**

Connection to the fire pit

Warning! Attach one hand of the gas hose to the thread of the pressure regulator and tighten by hand; then, using a 17-mm jaw spanner, tighten it firmly.

Attention left-hand thread! Do not use any additional seal!

Attach the other end of the gas hose to the thread of the valve connection on the fire pit, tightening by hand. Then tighten it firmly with the help of a 17-mm jaw spanner.

Attention left-hand thread! Do not use any additional seal!

Connect the pressure regulator to the gas bottle valve, tightening it by hand.

Follow the instructions included with the regulator.

Checking for Gas Leaks

- Mix one part dishwashing liquid with 3 parts water. For testing, approx. 50 ml of soapy water is needed.
- Ensure that all temperature regulators are set to • (off).
- Connect the regulator with the gas bottle and turn on the burner using the left temperature regulator. Ensure that the connections are securely made.
- Turn on the gas intake.
- Apply the soapy water to the hose and to all connections. If bubbles appear, a leak is present.
- Fix the leak and then start the test again.
- Switch off the gas once the test has been concluded.
- If a leak is found and it cannot be repaired, do not attempt to repair the leak further. In this case, contact a professional.

Warning!

Prior to use test all connections for gas leaks.

Always perform the test using soapy water. Never use an open flame to detect leaks.

Watch out for damage. Check the device for any damage before putting it into operation. If the device shows defects, it must not be used under any circumstances.

Setting up the fire pit

Attention Risk of damage!



During use, the screws can loosen slowly and impair the device's stability.

- Check the stability of the screws prior to each use. If necessary, tighten all of the screws again to ensure the device is standing securely.

- Before using the gas fire pit, set it up on a level, solid surface outdoors or in a sheltered area.

Operation


Danger Risk of explosion!



First read the following instructions for switching on / lighting and all warning and safety information before lighting the gas fire pit.

- Check the gas fire pit for cracks, cuts, or other damage before using it.
- Do not use the gas fire pit if the gas hose is damaged or porous.

Ignition system

1. Set the rotary switch to start. .
2. Open the gas bottle valve.
3. Press and hold the control dial for approx. 30 seconds.
4. Operate the piezo igniter (several times if necessary) until the pilot flame burns. When the burner has ignited, you can let go of the piezo igniter.
5. Press and hold the control dial for another 30 seconds.
6. You can set the power level by pressing and turning counter-clockwise.

Important! If the burner does not ignite, turn off the cylinder valve on the gas cylinder. Wait 5 minutes and try again.

- To switch off the gas fire pit, turn off the gas bottle valve.

Maintenance and Cleaning

Danger Risk of burning!



Let the grill cool down completely before cleaning.

Danger Health risk!



Do not use any decolorants or thinners to remove stains. These are harmful to health and must not come into contact with food.

Attention Risk of damage!



Do not use any strong or grinding solvents or abrasive pads, since these can attack the surfaces and leave behind scrape marks.

- Clean the surfaces with a damp cloth.
- Use a soft, clean cloth for drying.
- If you are not going to use the device for a longer period of time, place it in a dry, dust-free place. Cover it with the supplied hood after it has cooled down completely so that it is protected from contamination, damage and malfunction.

Troubleshooting

Problem	Possible cause	Suggested solution
Burner won't ignite.	<ul style="list-style-type: none"> LP gas bottle is empty Defective regulator Blockage in burner Blockage in the gas nozzles or in the gas hose Electrode cable loose or separated from electrode or ignition unit Electrode or cable defective Defective ignition switch 	<ul style="list-style-type: none"> Replace with full LP gas bottle Get the regulator tested or replace it Cleaning the burner Clean the gas nozzles and gas hose Reconnect the cable Replace the electrode or cable Replace the ignition switch
Burner does not ignite with match	<ul style="list-style-type: none"> LP gas bottle is empty Defective regulator Blockage in burner Blockage in the gas nozzles or in the gas hose 	<ul style="list-style-type: none"> Replace with full LP gas bottle Get the regulator tested or replace it Cleaning the burner Clean the gas nozzles and gas hose
Small flame or flame blowback (fire in burner tube or a roaring noise can be heard)	<ul style="list-style-type: none"> LP gas bottle is too small Blockage in burner Blockage in the gas nozzles or in the gas hose Wind in gas fire pit area is too strong 	<ul style="list-style-type: none"> Use larger gas bottle Cleaning the burner Clean the gas nozzles and gas hose Position the gas fire pit in an area protected from the wind
Temperature regulator difficult to turn	<ul style="list-style-type: none"> Gas valve blocked 	<ul style="list-style-type: none"> Replace gas valve

Disposal



The packaging is made from environmentally friendly materials, which you can dispose of at your local recycling points.



Do not under any circumstance dispose of the fire pit in normal household waste! Dispose of it at an approved disposal business or at your community disposal facility. Respect the currently valid regulations. If in doubt, get in touch with your disposal facility.



Batteries and rechargeable batteries

Please do not dispose of batteries with household waste. Every consumer is legally obliged to dispose of batteries at a collection point in their municipality / district or at a retail outlet. This means that they can be disposed of in an environmentally friendly manner.

Declaration of conformity

This product fulfills the valid European and national directives. This is confirmed by the CE mark (corresponding declarations are lodged with the manufacturer).

Technical details

Product:	Item No. 3322UK, Gas Fire Pit „Riverton“
Net weight:	approx. 11.3kg
Overall dimensions:	approx. 35 x 35 x 88 cm (WxDxH)
Power:	approx. 8kW
Consumption max.:	582g/h
Device category:	I ₃₊ (28-30/37) GB
Gas type/Gas pressure:	LPG / butane 28-30mbar; propane 37mbar
Nozzle burner:	Ø 1.4 mm

Service

For inquiries about spare parts or technical questions, please contact your contract partner.

Subject to technical modifications and typographical errors.

Distributor

TEST RITE (UK) Ltd, Unit E, The Foundry, London Road,
Kings Worthy, Winchester, Hampshire, SO23 7QN,
United Kingdom

Web: www.tepro-uk.com

