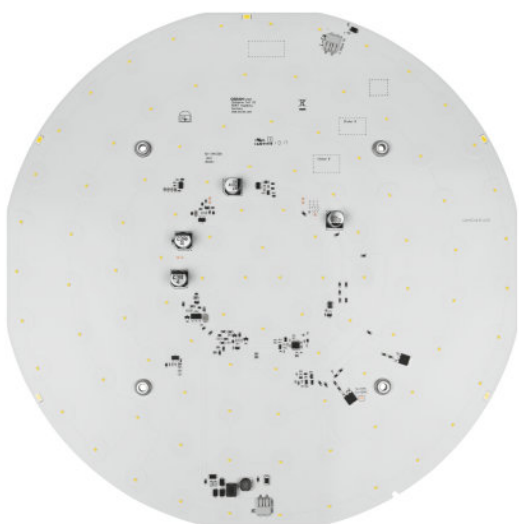


## PL-FLAT-AC PC-G3 4000-830

PrevaLED Flat AC PC | Spot-, Down- and Wallmount Light Engines and Modules



### Product family features

- Dimmable (with suitable Phase-cut dimmers)
- Designed for wall and ceiling luminaires with diffuse light distribution
- Low-cost LED replacement of CFL wall-, and ceiling luminaires
- Driver integrated on LED board
- Available diameter: 170 mm, 240 mm
- Available with color temperature: 3,000 K or 4,000 K
- Available with luminous flux: 1,500 lm, 2,500 lm, 3,300 lm
- LED module is reinforced isolated to mounting surface
- Photobiological safety according to IEC/TR 62778, risk group RG1

### Product family benefits

- Touch protection accessory for simple use in luminaires
- High reliability
- Easy to use
- Optimised design for simple thermal management
- Enables thin and efficient luminaire designs
- High quality of light thanks to low modulation
- 5 year guarantee

### Areas of application

- Corridors
- Stairways
- Landings
- Hallways



## Technical data

### Electrical data

Nominal voltage	230 V
Input voltage range	220...240 V
Type of current	AC
Inrush current	1,80 A <sup>1)</sup>
Max. ECG no. on circuit breaker 10 A (B)	60
Max. ECG no. on circuit breaker 16 A (B)	95
Output PSTLM	≤1
Output SVM	≤0.9
On-mode power	29.5 W
Energy consumption in on-mode [GMS]	29.5 kWh/1000h
Displacement factor (cos φ1) [GMS]	0.98

<sup>1)</sup> At 10 μs

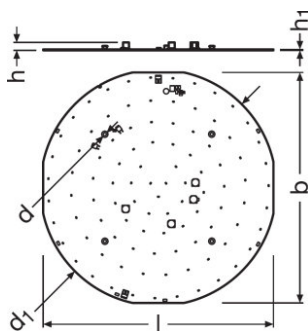
### Photometrical data

Luminous efficacy	135 lm/W
Color rendering index Ra	>80
Light color (designation)	Warm White
Correlated color temperature CCT [GMS]	3000 K
Colour consistency (McAdam ellipses) [GMS]	3
Useful luminous flux (Φ <sub>use</sub> ) [GMS]	4000 lm

### Light technical data

Starting time	< 0.5 s
Warm-up time (60 %)	< 2.00 s

### Dimensions & weight



## Product datasheet

Diameter	415.0 mm
Product weight	435.00 g
Height	12.6 mm
Length	415 mm
Width	415 mm

### Temperatures & operating conditions

Performance temp. acc. to IEC 62717	75 °C
Maximum temperature at tc test point	90 °C
Ambient temperature range	-20...+50 °C
Temperature range at storage	-20...85 °C

### Lifespan

Number of switching cycles	100000
Lumen maintenance factor LMF [GMS]	96
L70B50 lifetime [GMS]	50000 h

### Additional product data

Lighting technology used [GMS]	LED
Predecessor EAN	4052899389014

### Capabilities

Dimming range	1...100 %
Dimming interface	Phase Cut

### Certificates & standards

Standards	CE/ENEC/UKCA/VDE
Type of protection	IP20
Energy efficiency class	D

### Logistical data

Commodity code	853951000000
----------------	--------------

### Environmental information

<b>Information according Art. 33 of EU Regulation (EC) 1907/2006 (REACH)</b>	
Date of Declaration	18-04-2022
Primary Article Identifier	4062172212397
Candidate List Substance 1	Lead

## Product datasheet

CAS No. of substance 1	7439-92-1
Safe Use Instruction	The identification of the Candidate List substance is sufficient to allow safe use of the article.
Declaration No. in SCIP database	ad189c63-54bd-4aad-a37e-4de53bd84489



---

664174\_5 Year OSRAM  
Guarantee (LED)



---

### Additional product information

- The product implemented control components are not designed for removal.

---

### Download Data

File	
	User instruction PrevaLED Flat AC PC G3
	Certificates PL FLAT AC G2 G3 VDE ENEC 40040688 260422

---

### Ecodesign regulation information:

Separate control gear and light sources must be disposed of at certified disposal companies in accordance with Directive 2012/19/EU (WEEE) in the EU and with Waste Electrical and Electronic Equipment (WEEE) Regulations 2013 in the UK. For this purpose, collection points for recycling centres and take-back systems (CRSO) are available from retailers or private disposal companies, which accept separate control gear and light sources free of charge. In this way, raw materials are conserved and materials are recycled.

## Product datasheet

---

### Logistical Data

Product code	Product description	Packaging unit (Pieces/Unit)	Dimensions (length x width x height)	Volume	Gross weight
4062172212397	PL-FLAT-AC PC-G3 4000-830	Shipping carton box 20	505 mm x 452 mm x 458 mm	104.54 dm <sup>3</sup>	10079.00 g

The mentioned product code describes the smallest quantity unit which can be ordered. One shipping unit can contain one or more single products. When placing an order, for the quantity please enter single or multiples of a shipping unit.

---

### References / Links

For more information on the multi-level guarantee and the terms and conditions of the guarantee visit

▶ [www.osram.com/system-guarantee](http://www.osram.com/system-guarantee)

---

### Disclaimer

Subject to change without notice. Errors and omission excepted. Always make sure to use the most recent release.