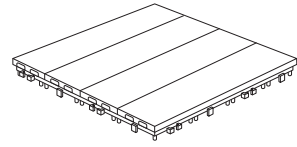
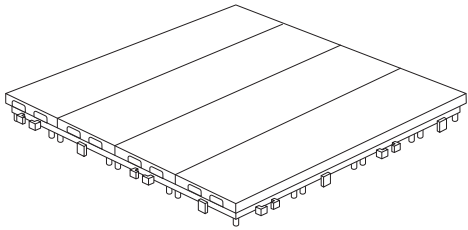
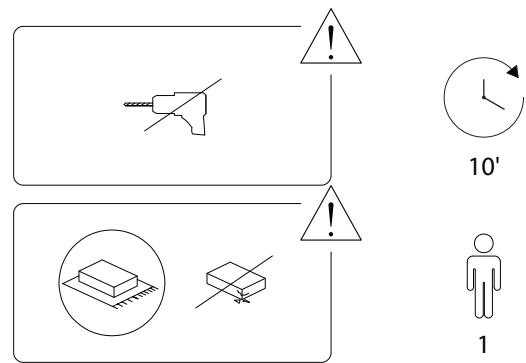


ATESSA



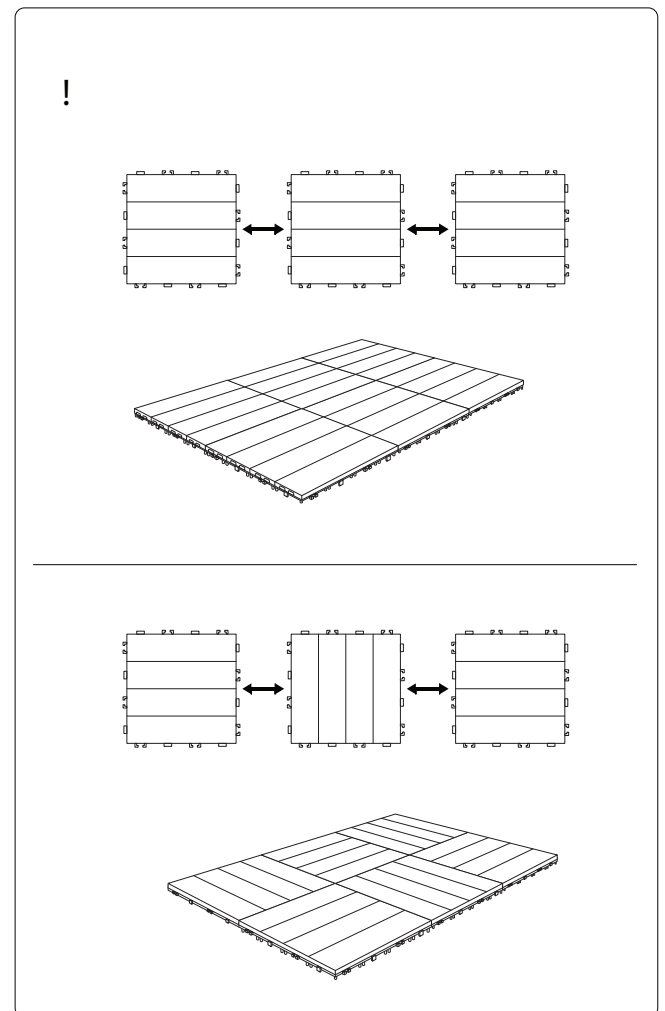
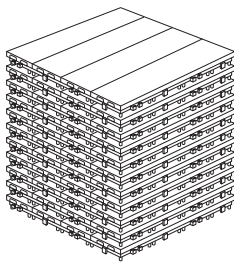
1/5



2/5

2753/ATESSA/100326/

A x 11

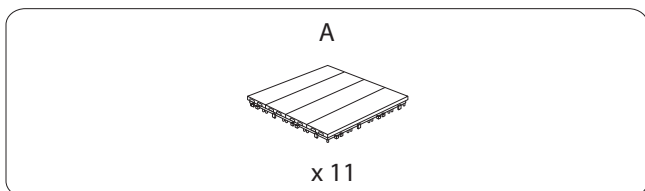


4/5

2753/ATESSA/100326/

3/5

2753/ATESSA/100326/



1

