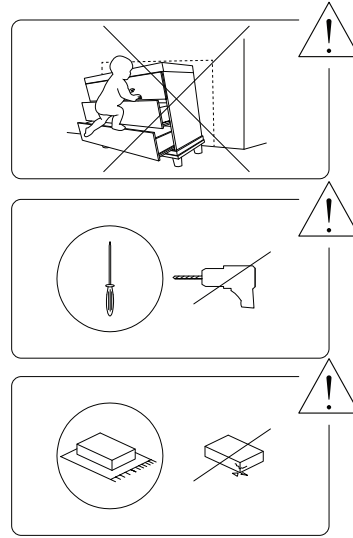
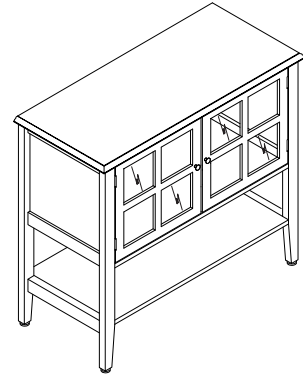
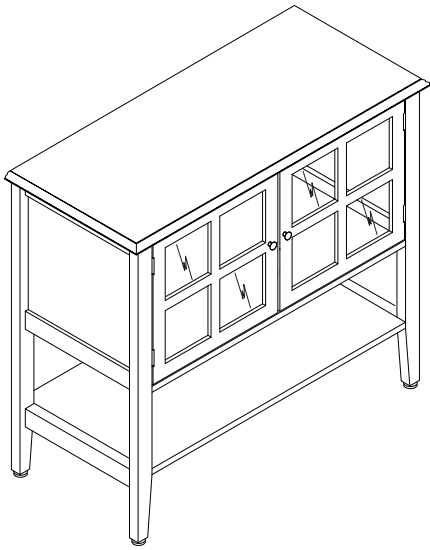
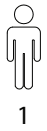


INLET



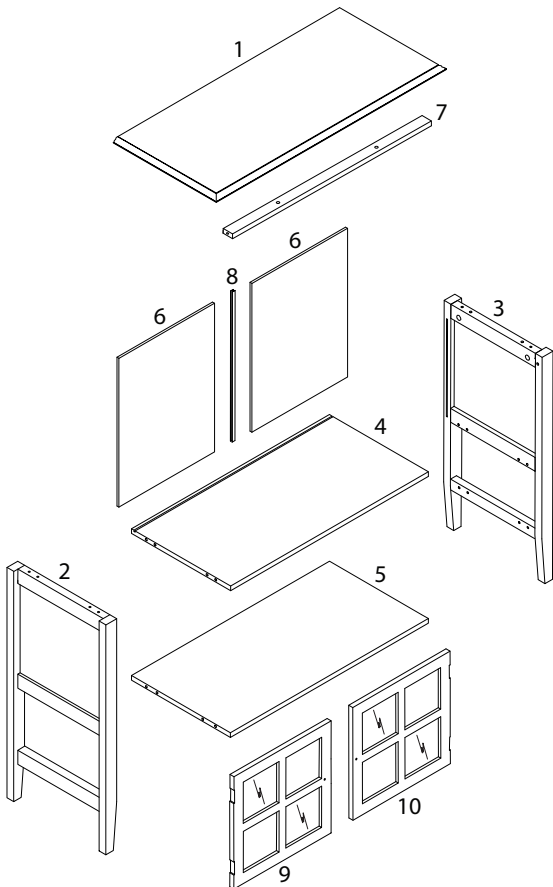
45'



1

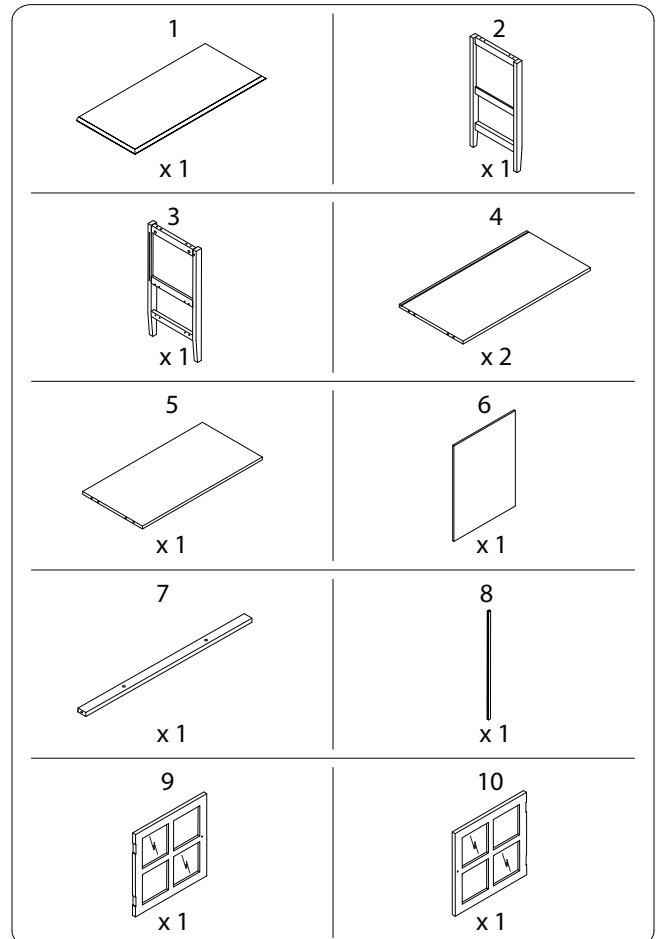
1/13

1025/INLET/140325/






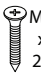

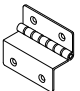
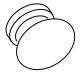



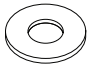

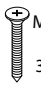

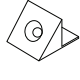


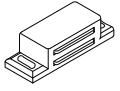

2/13

1025/INLET/140325/



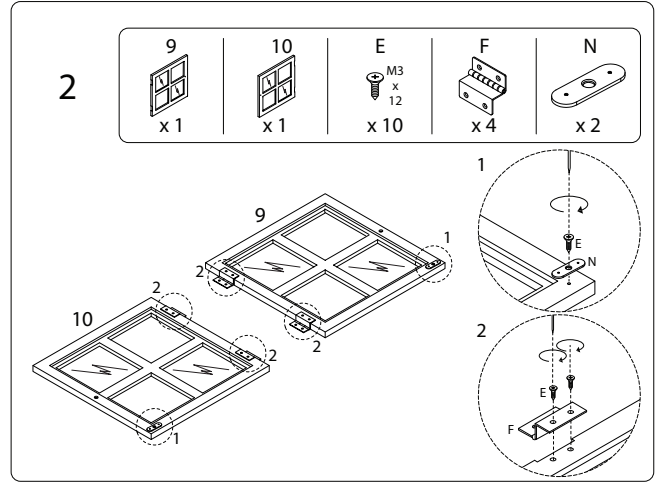
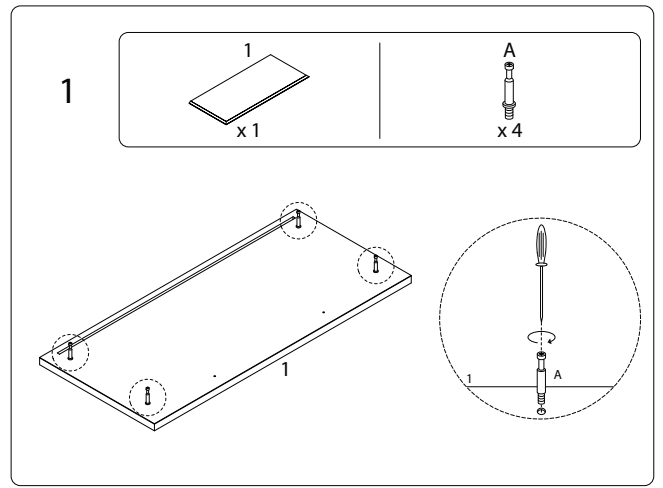
3/13

1025/INLET/140325/

A  x 14	B  x 14	C  x 8	
D  x 2	E  x 18	F  x 4	G  x 2
H  x 4	I  x 2	J  x 2	K  x 4
L  x 2	M  x 2	N  x 2	O₁  x 4
O₂  x 4	P  x 2	Q₁  x 1	Q₂  x 2

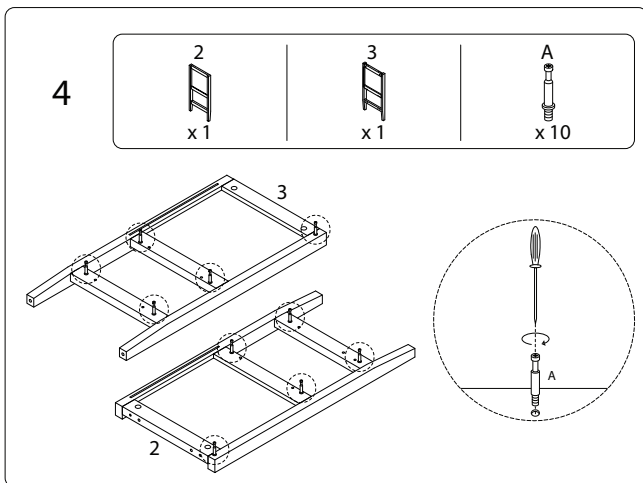
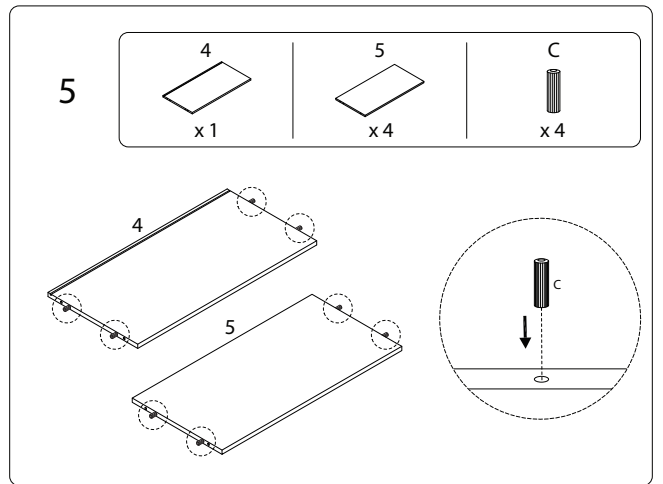
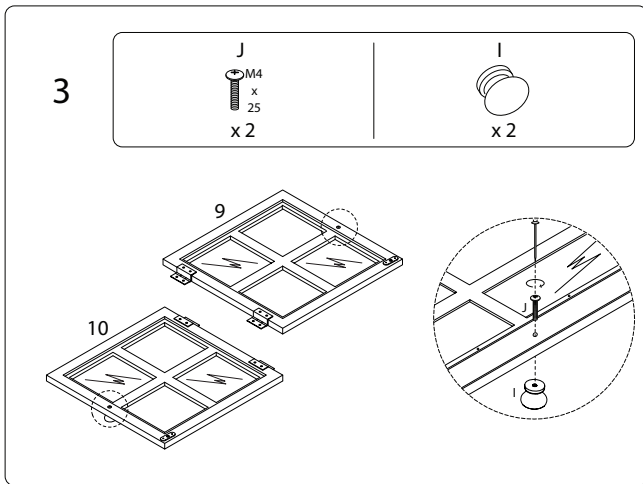
4/13

1025/INLET/140325/



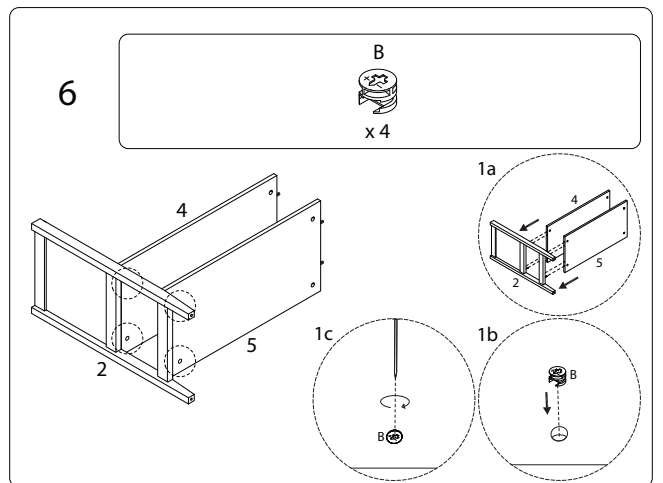
5/13

1025/INLET/140325/



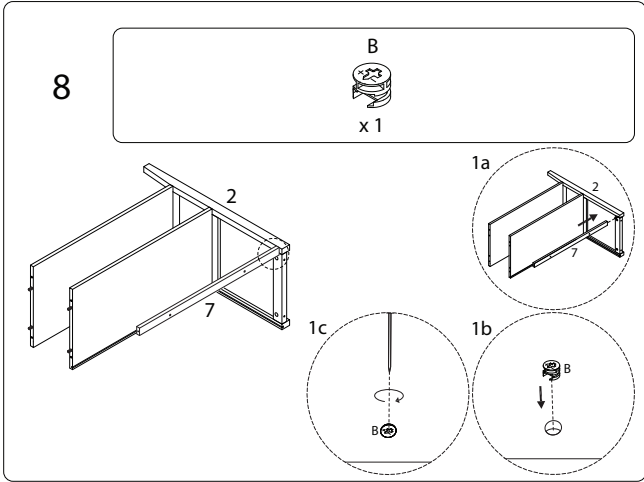
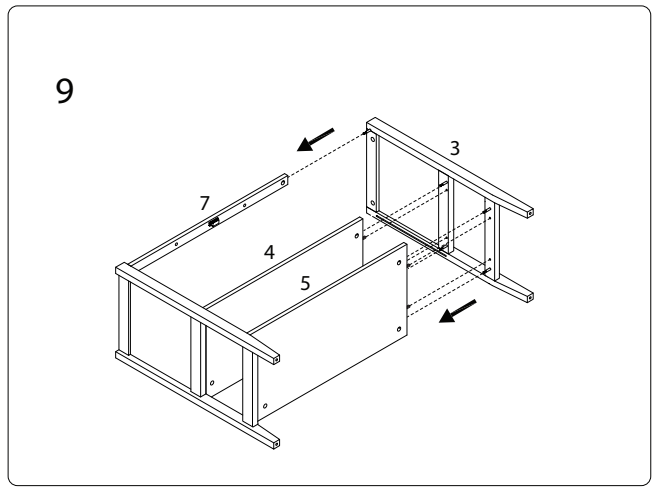
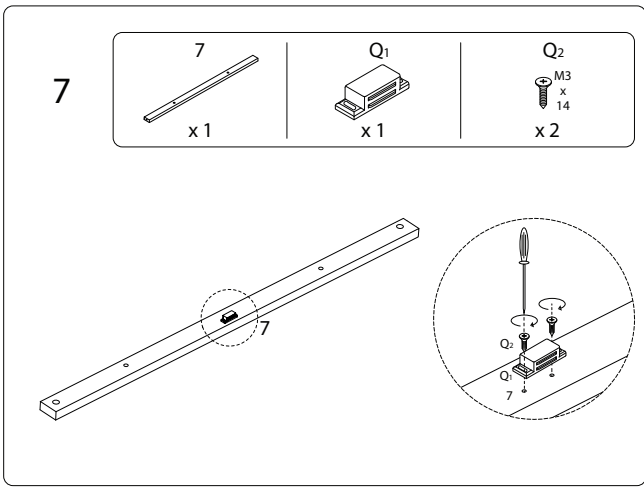
6/13

1025/INLET/140325/



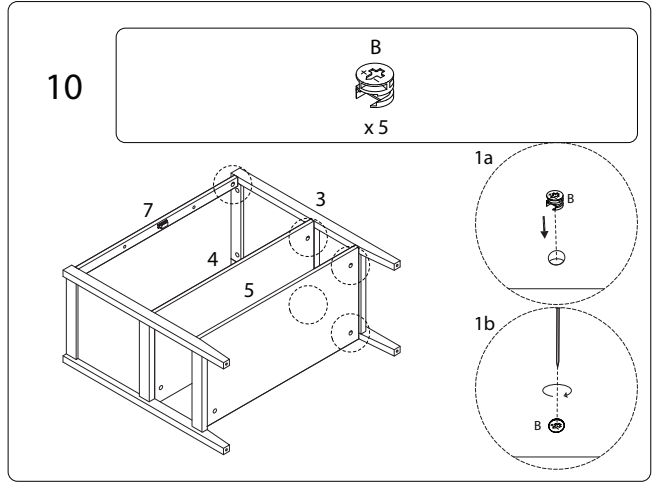
7/13

1025/INLET/140325/



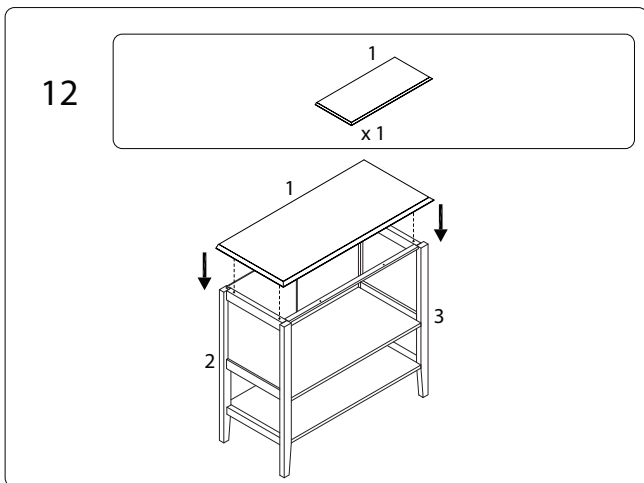
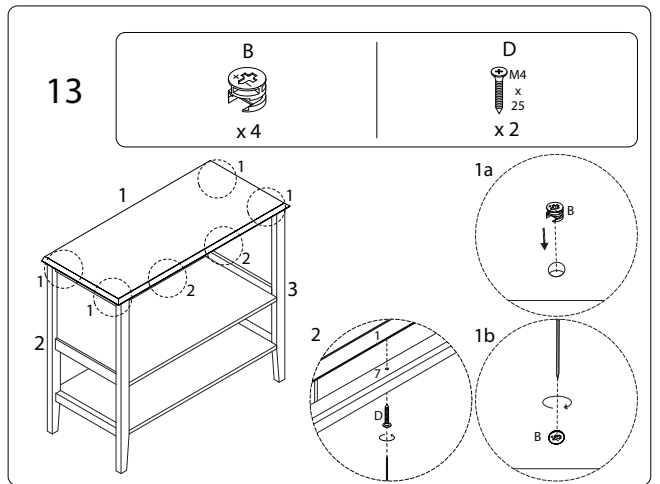
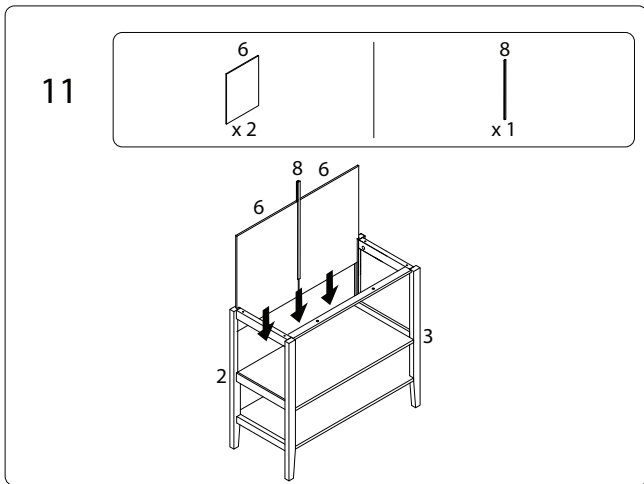
8/13

1025/INLET/140325/



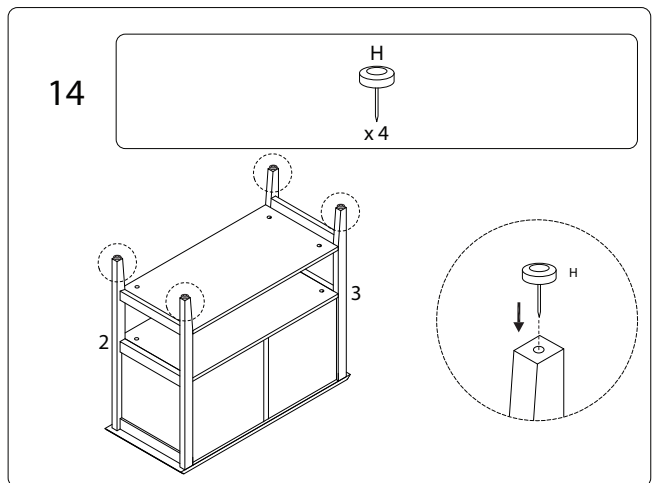
9/13

1025/INLET/140325/



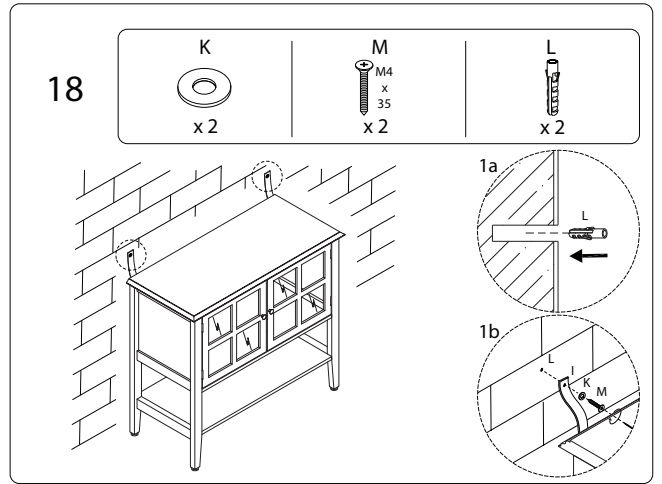
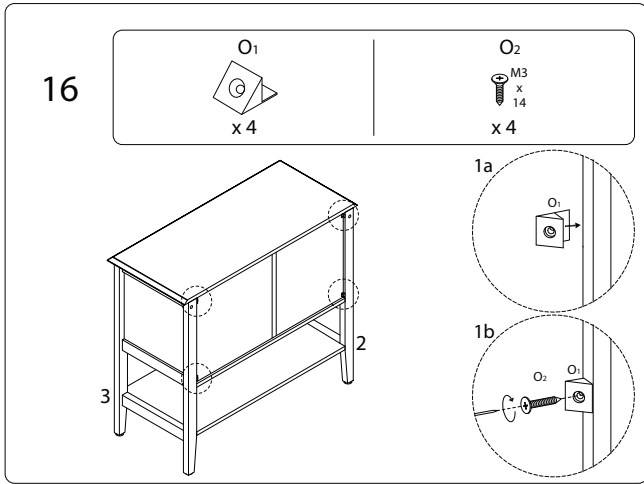
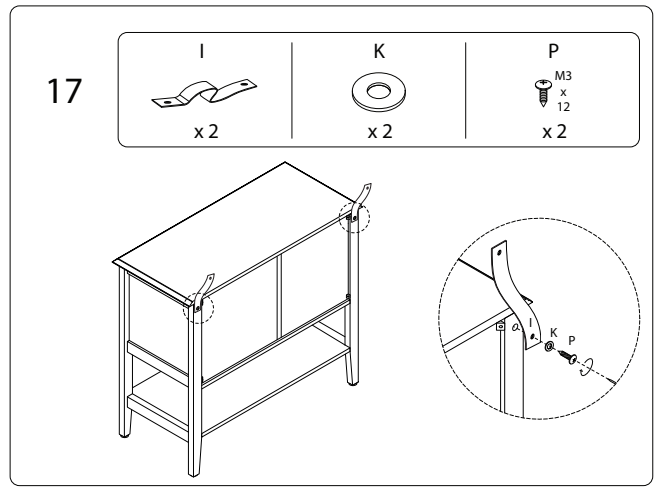
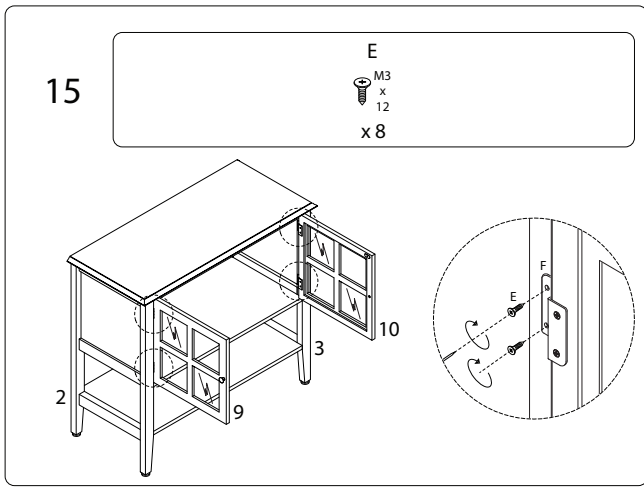
10/13

1025/INLET/140325/



11/13

1025/INLET/140325/



12/13

1025/INLET/140325/

13/13

1025/INLET/140325/