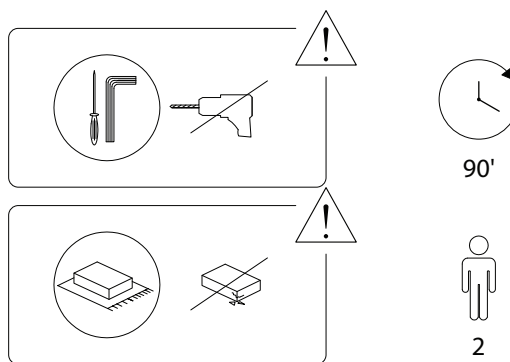
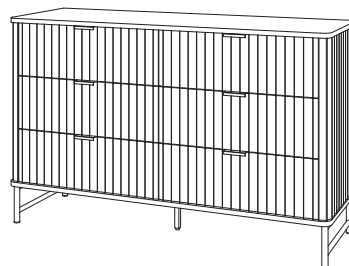
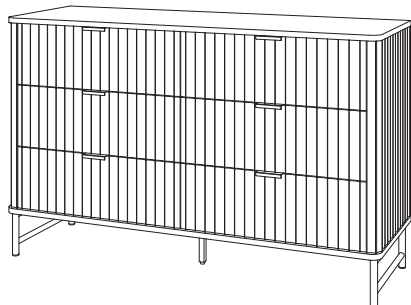
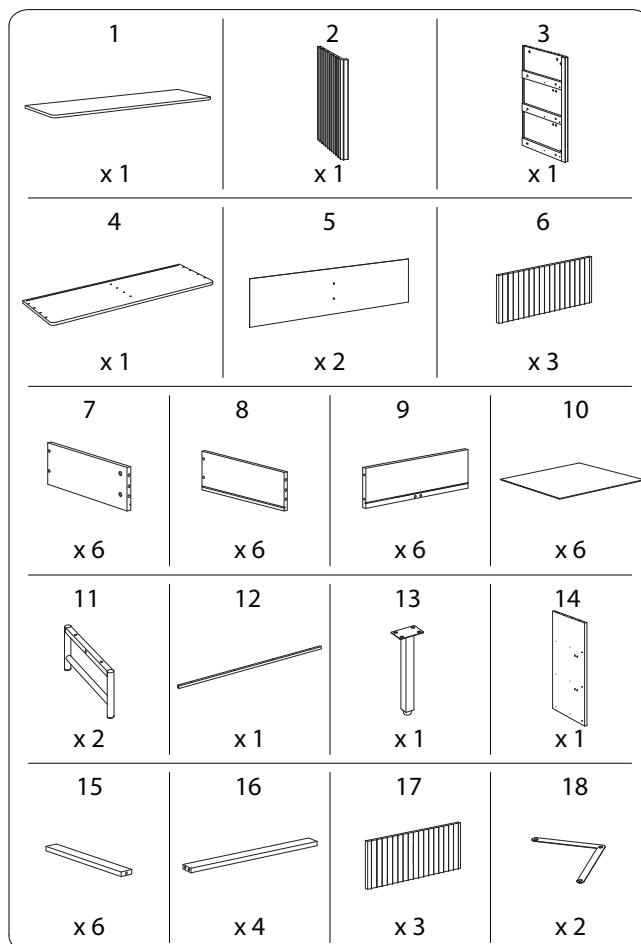
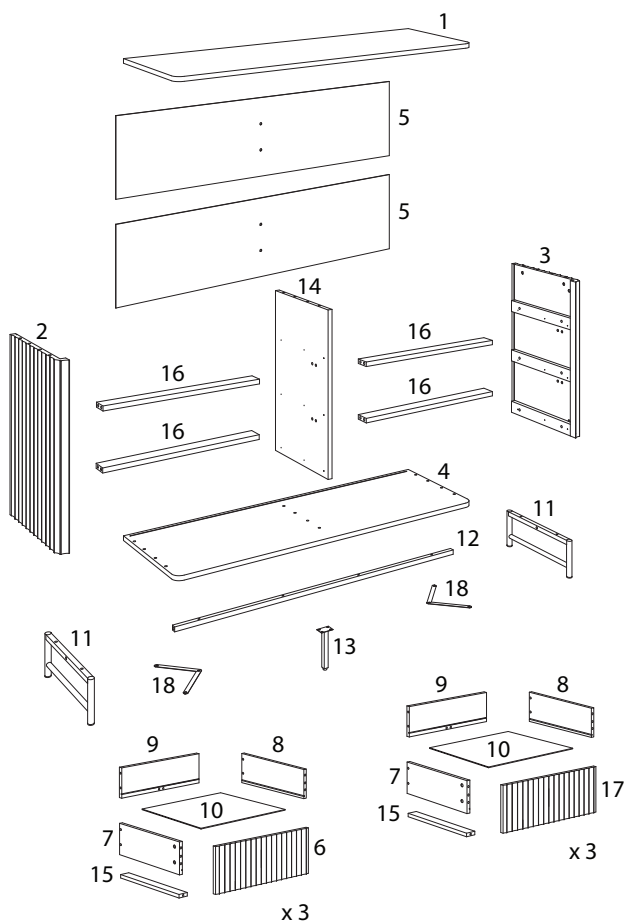


GLASTONBURY



1/20

2285/GLASTONBURY/01025/




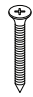



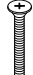

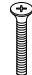


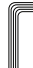















2/20

2285/GLASTONBURY/01025/

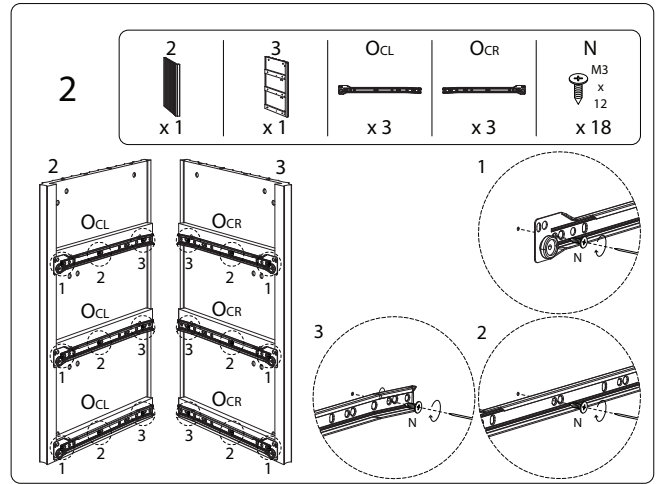
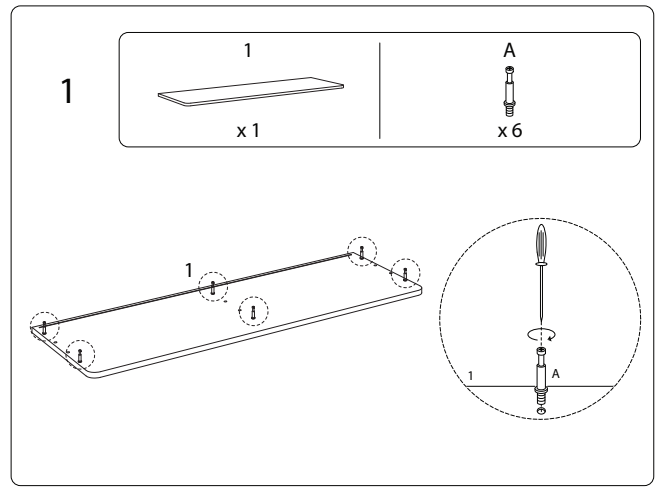
3/20

2285/GLASTONBURY/01025/

A  x 44	B  x 44	C  x 32	D  M4 x 40 x 6	E1  x 2	
E2  x 2	E3  x 4	E4  M4 x 40 x 2	E5  M3 x 16 x 2	F  M4 x 35 x 36	
G  x 6	H  M4 x 10 x 12	I  x 1	J  M6 x 40 x 2	K  x 10	
L  M3 x 16 x 10	M  M5 x 35 x 8	N  M3 x 12 x 72	OCL  x 6	ODL  x 6	
OCR  x 6	ODR  x 6	P  M2.5 x 12 x 4	Q  M4 x 12 x 4	R  x 1	S  x 2

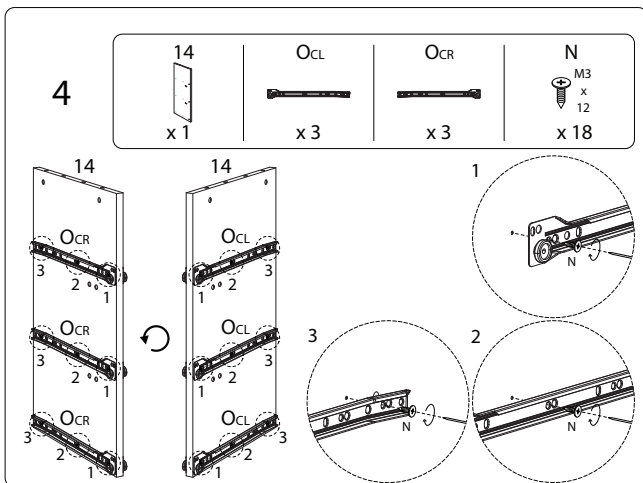
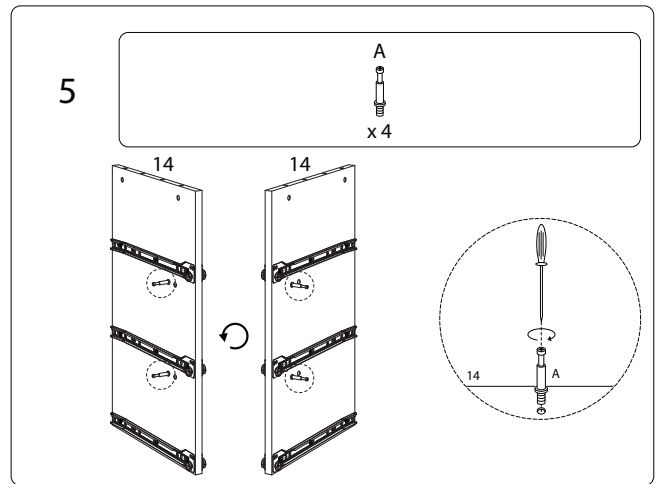
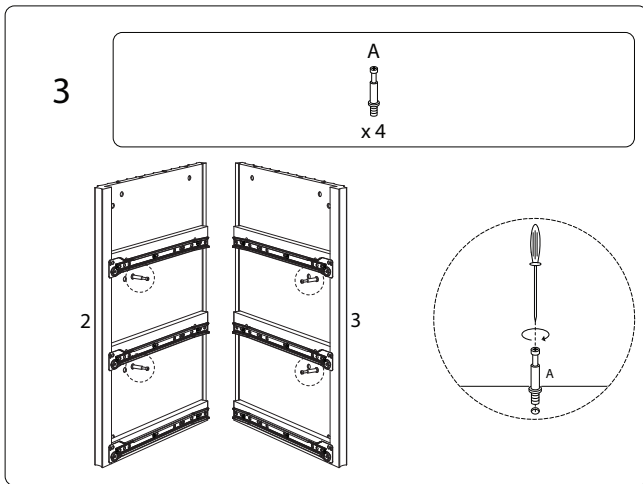
4/20

2285/GLASTONBURY/301025/



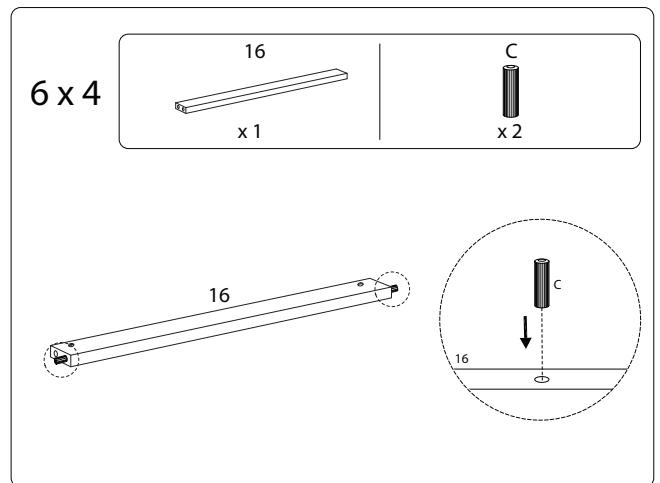
5/20

2285/GLASTONBURY/301025/



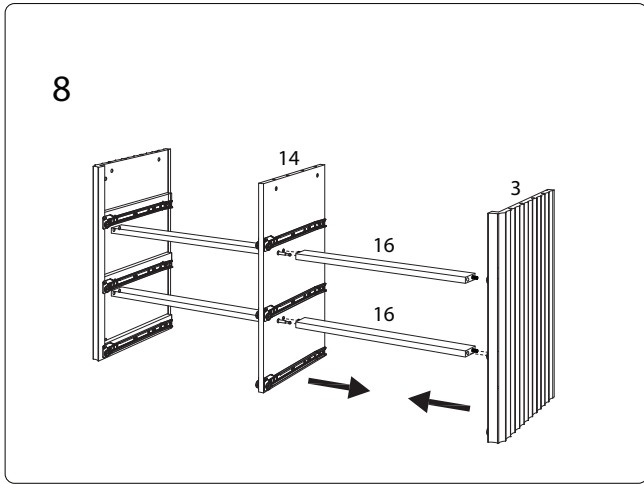
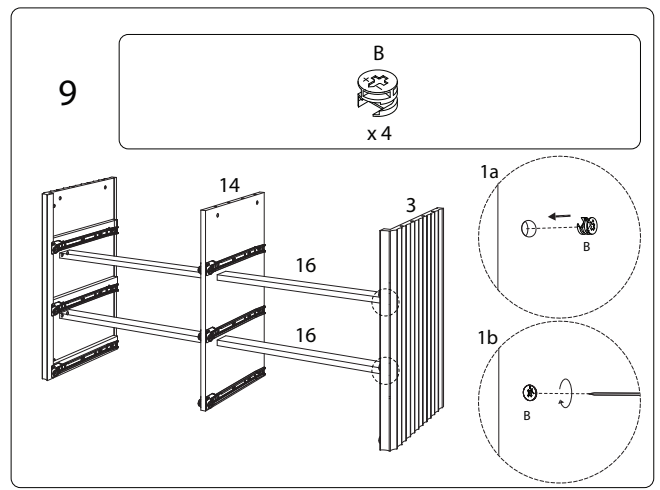
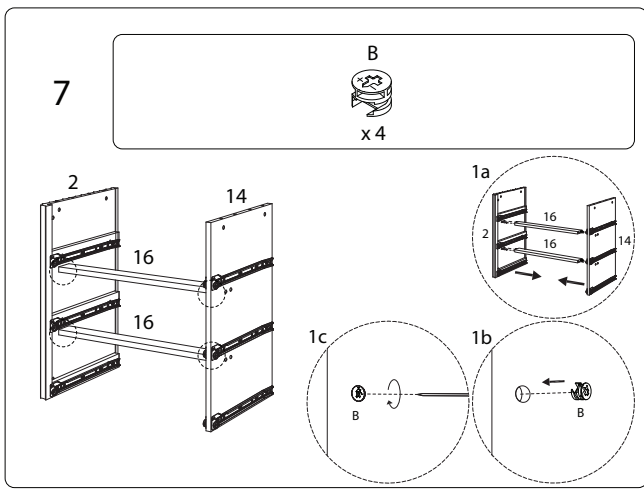
6/20

2285/GLASTONBURY/301025/



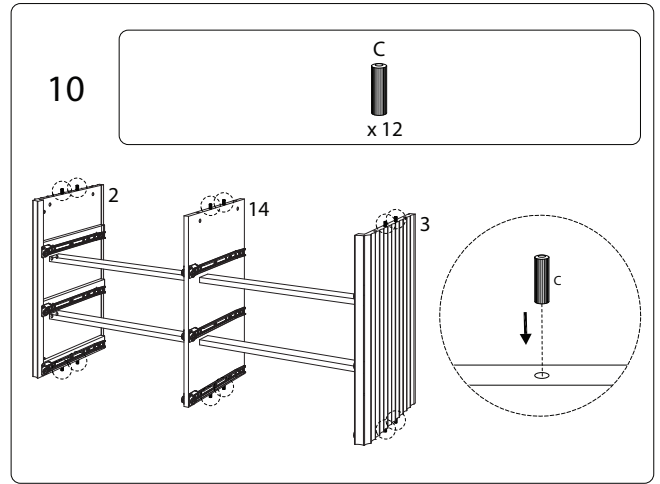
7/20

2285/GLASTONBURY/301025/



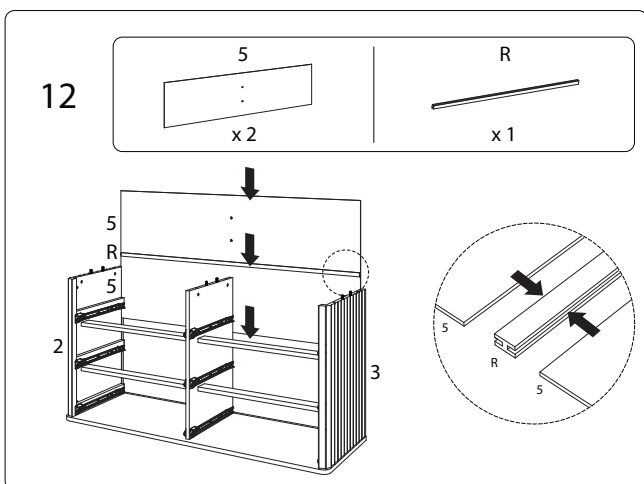
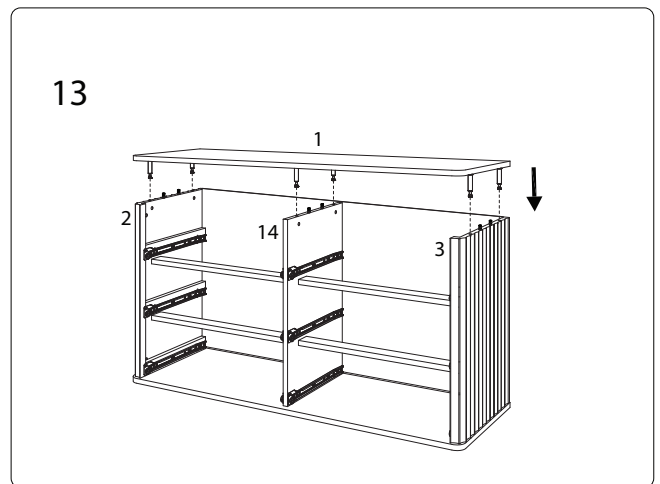
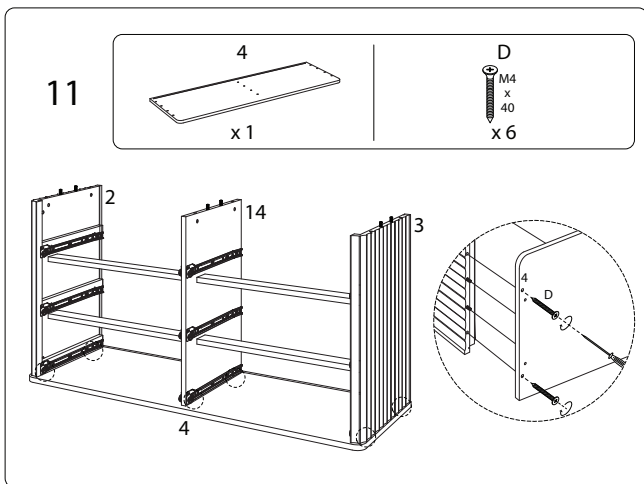
8/20

2285/GLASTONBURY/01025/



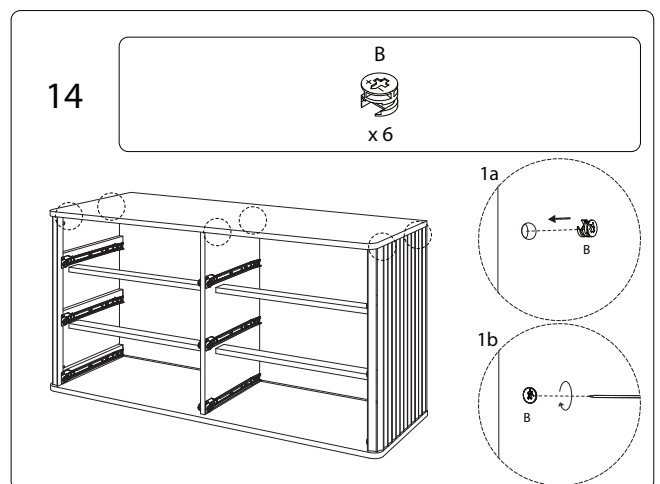
9/20

2285/GLASTONBURY/01025/



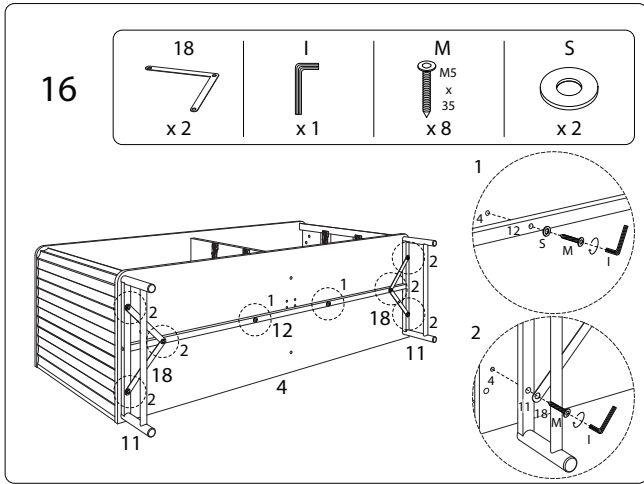
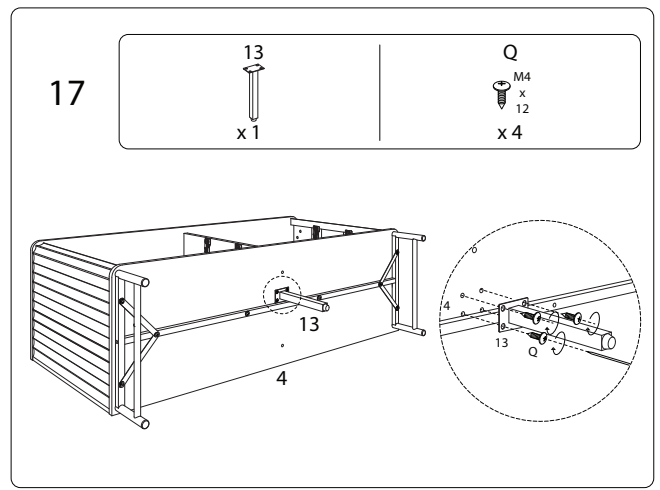
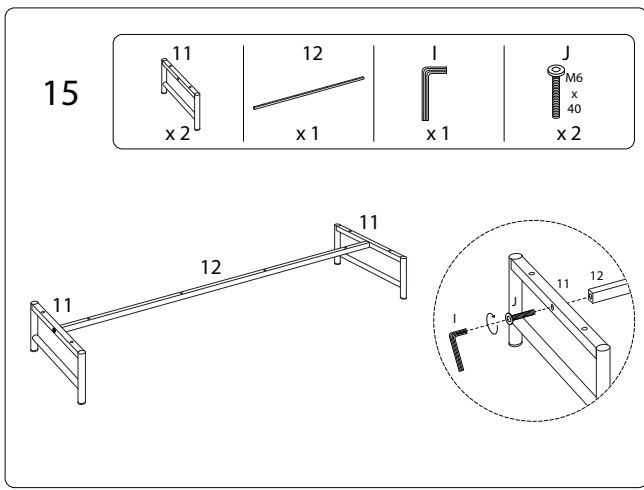
10/20

2285/GLASTONBURY/01025/



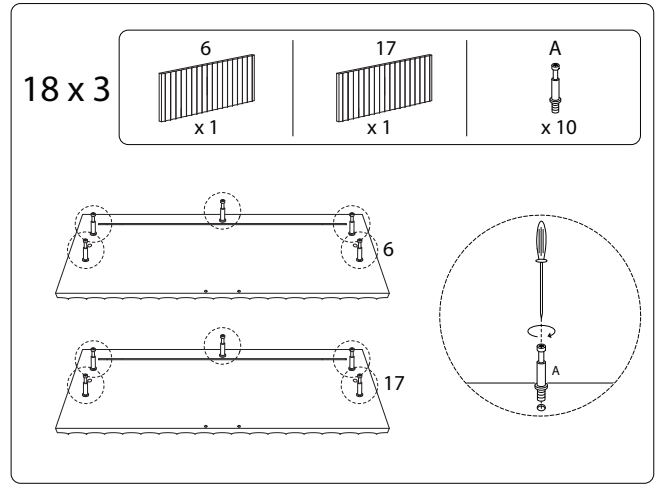
11/20

2285/GLASTONBURY/01025/



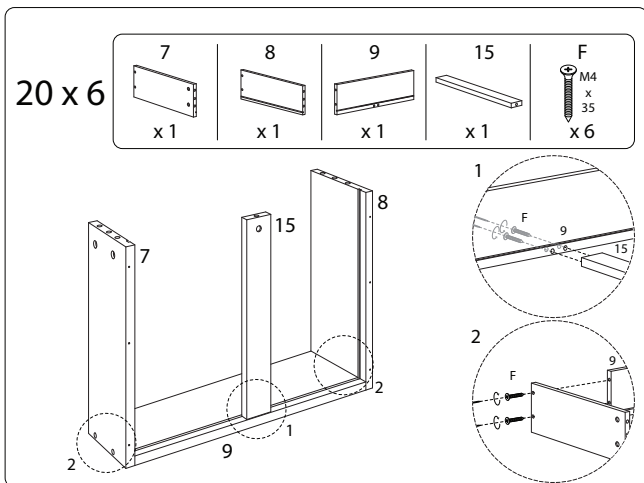
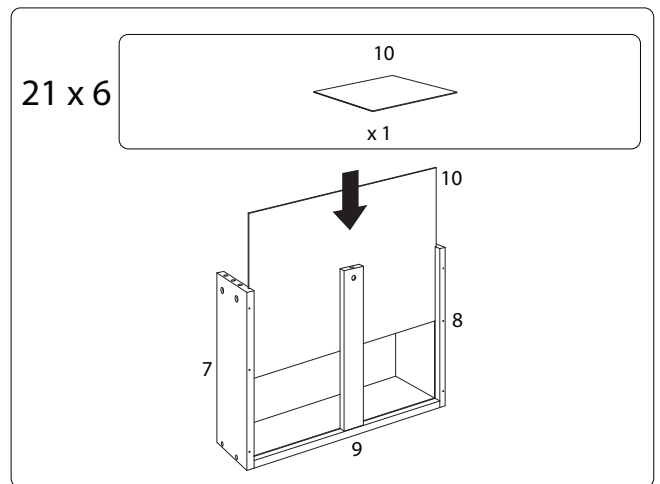
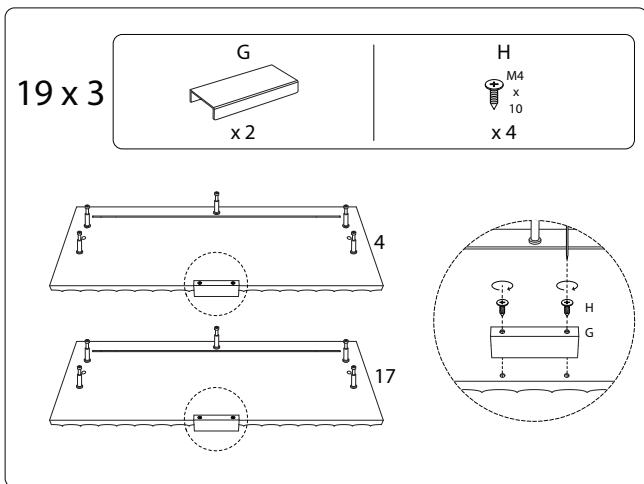
12/20

2285/GLASTONBURY/301025/



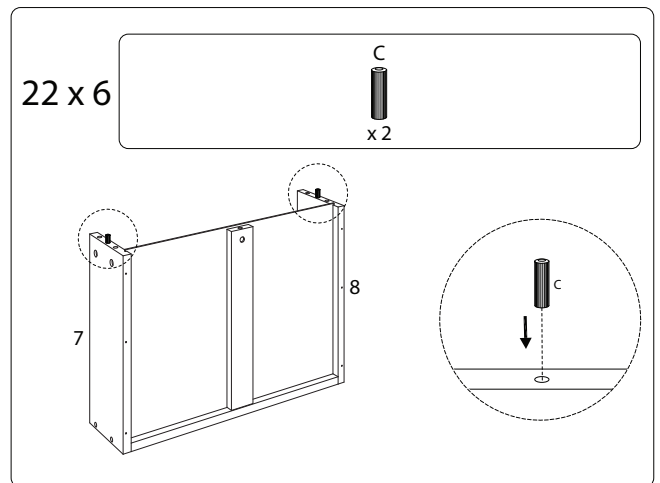
13/20

2285/GLASTONBURY/301025/



14/20

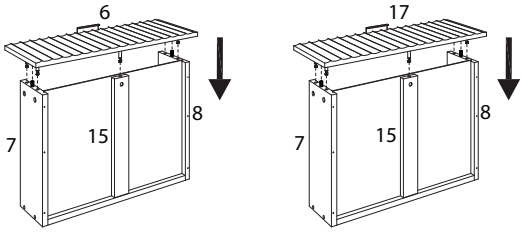
2285/GLASTONBURY/301025/



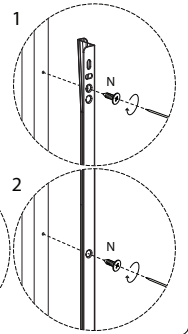
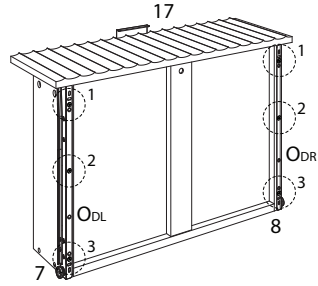
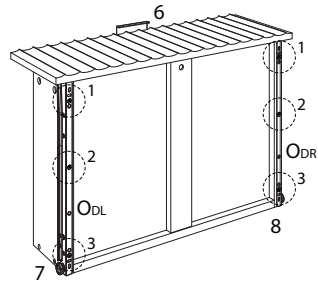
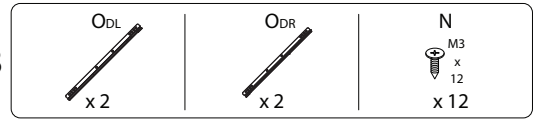
15/20

2285/GLASTONBURY/301025/

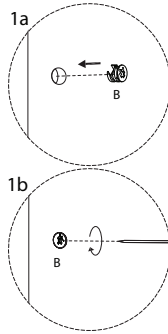
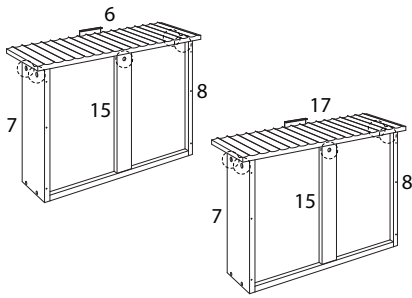
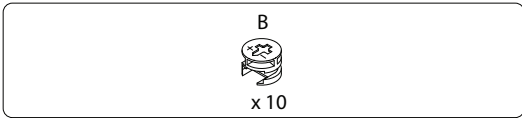
23 x 3



25 x 3



24 x 3



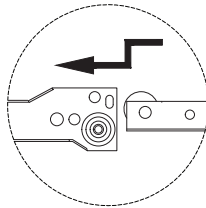
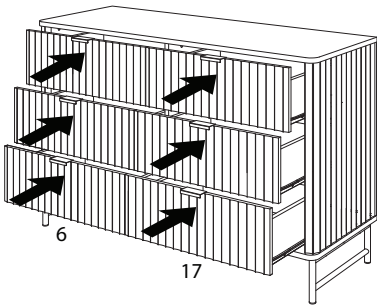
16/20

2285/GLASTONBURY/301025/

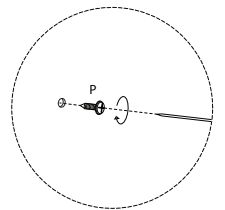
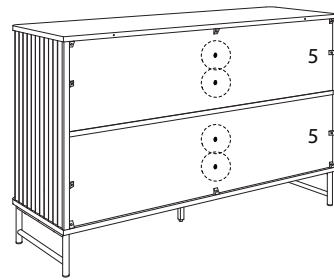
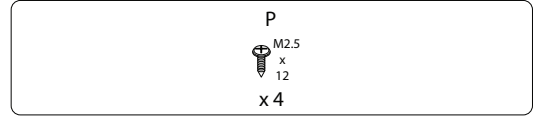
17/20

2285/GLASTONBURY/301025/

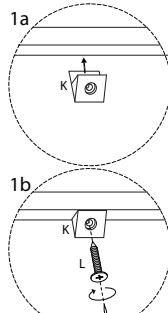
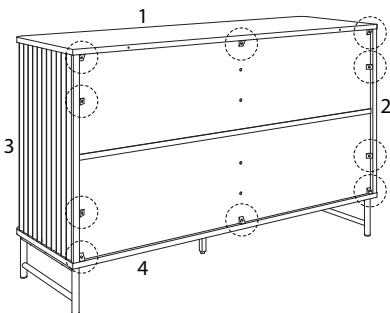
26



28



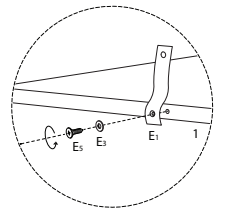
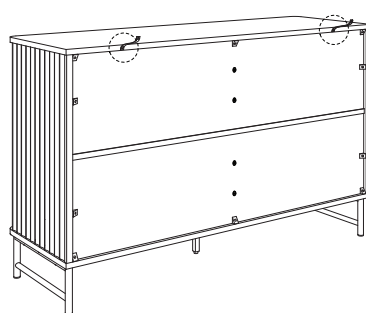
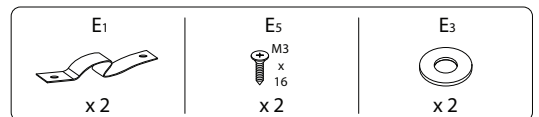
27



18/20

2285/GLASTONBURY/301025/

29



19/20

2285/GLASTONBURY/301025/

30

