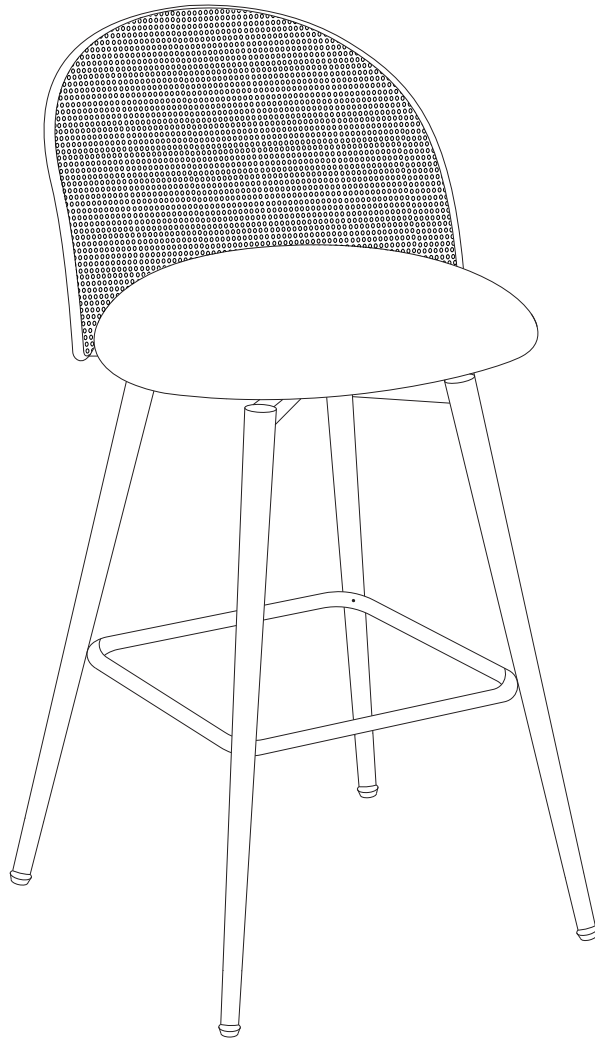
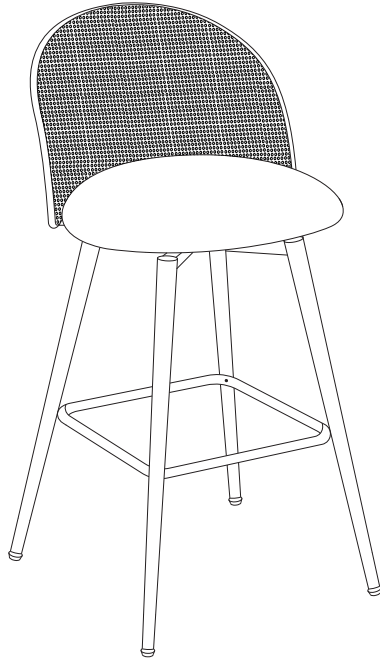
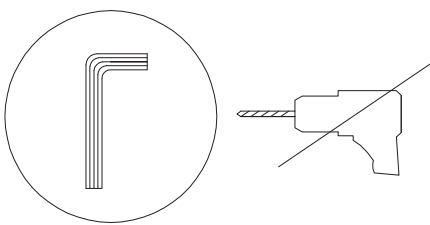

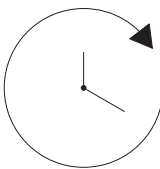
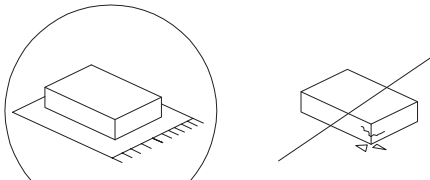


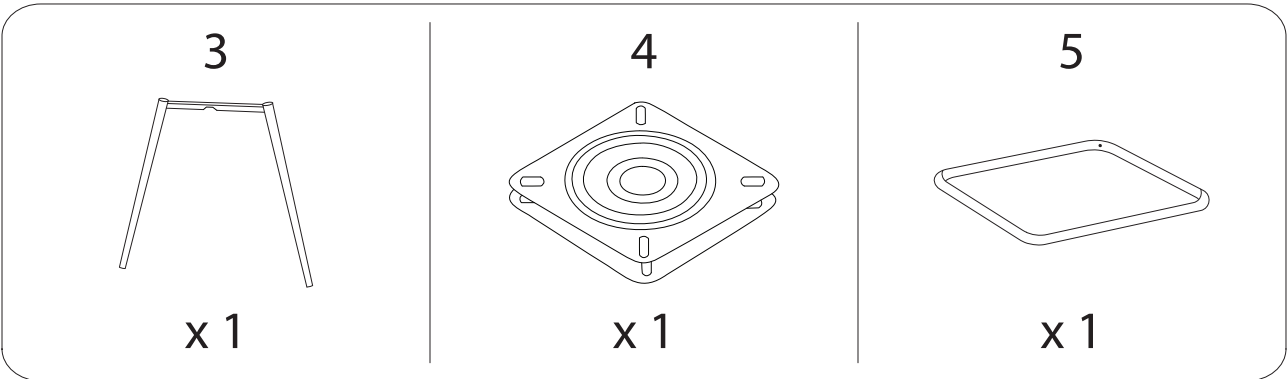
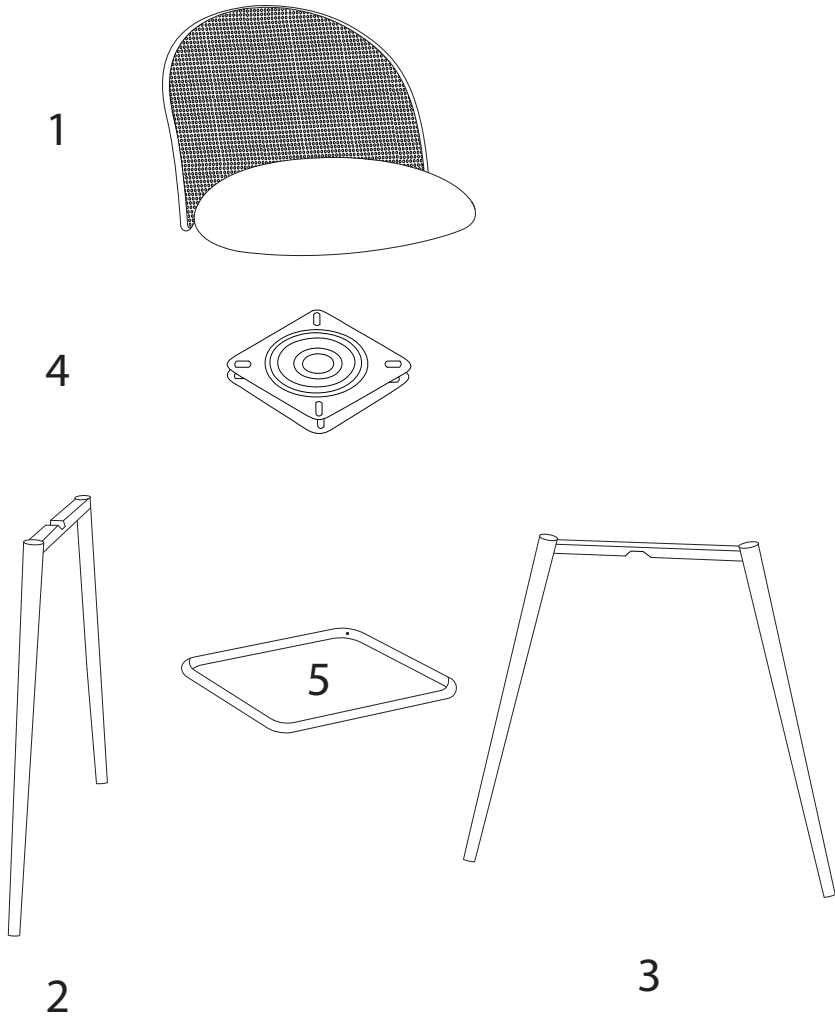
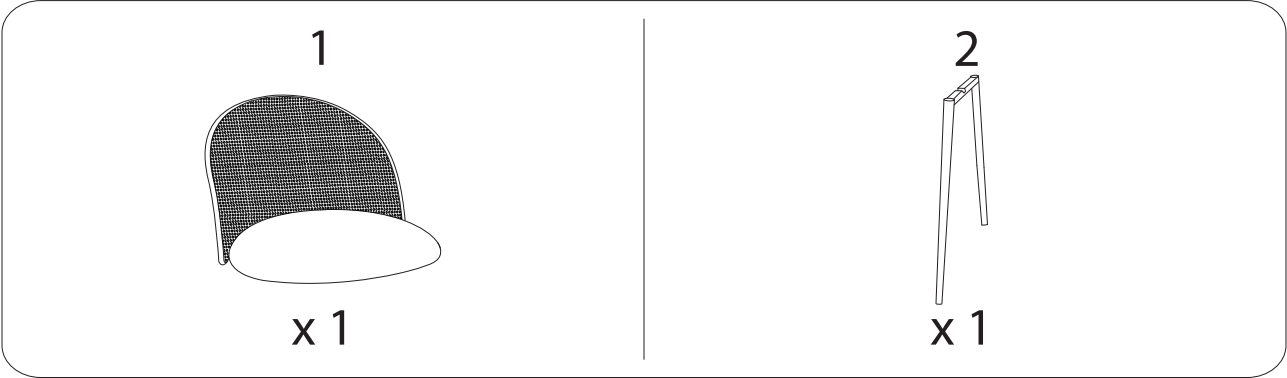


NATHAN

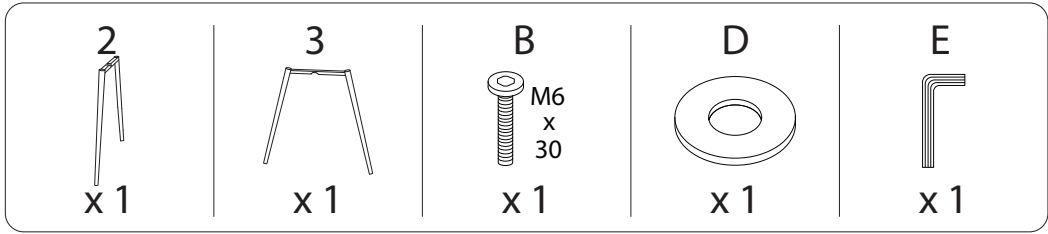




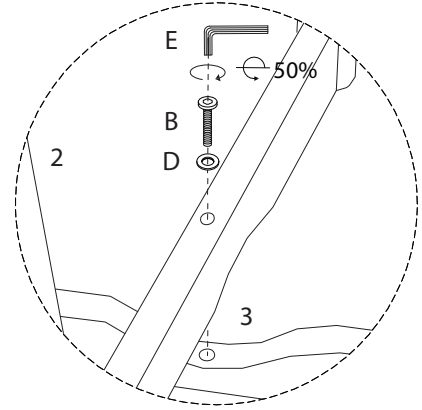
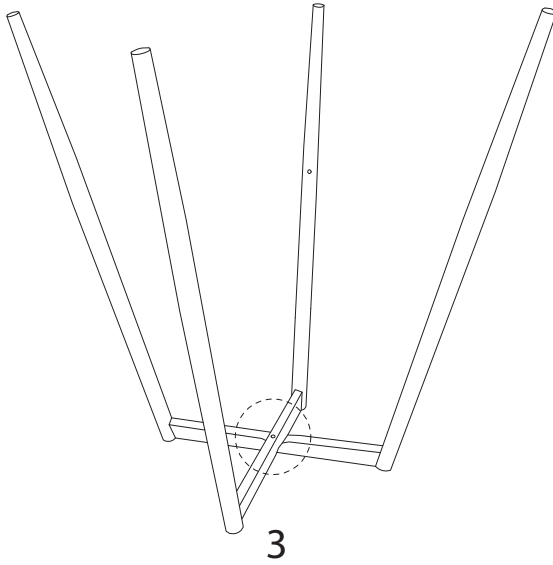
		
		<p>10'</p>
		
		<p>1</p>



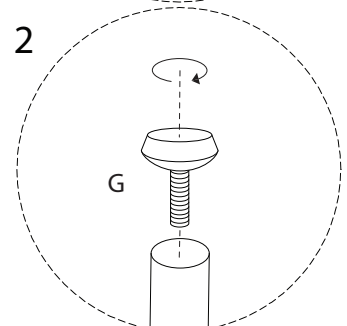
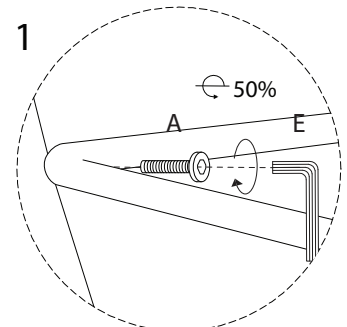
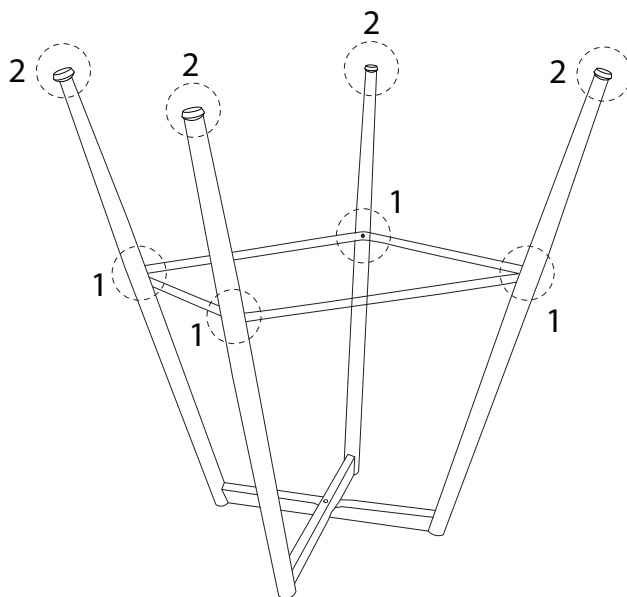
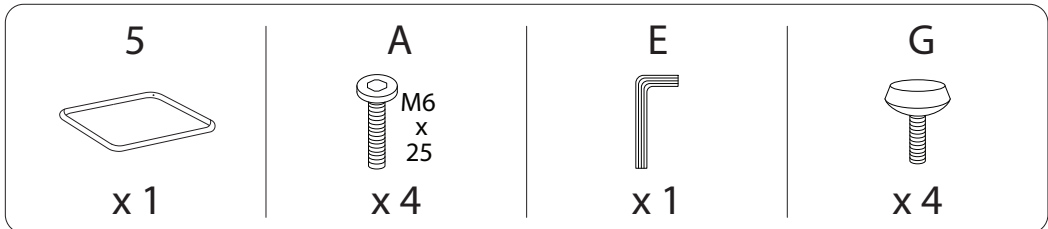
1



2



2

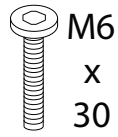


A



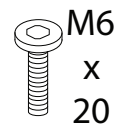
x 6

B



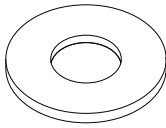
x 1

C



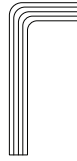
x 6

D



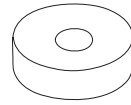
x 9

E



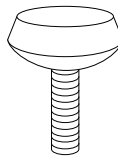
x 1

F



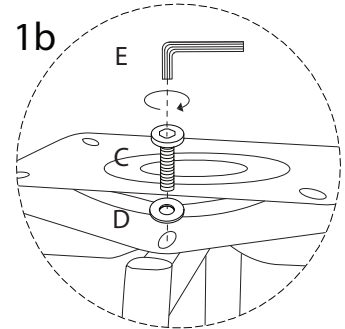
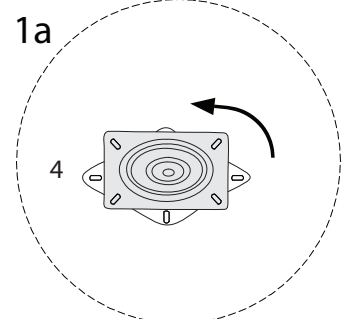
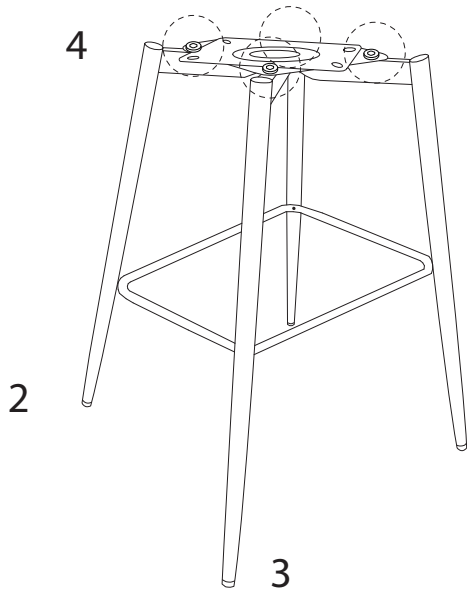
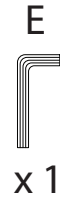
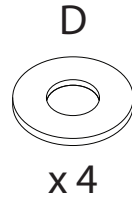
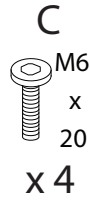
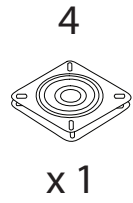
x 2

G

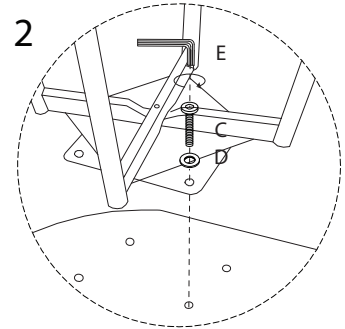
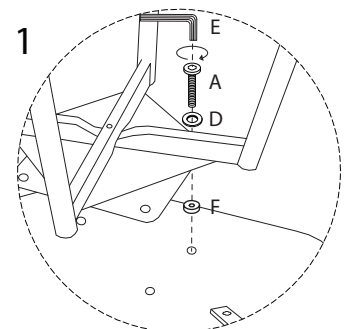
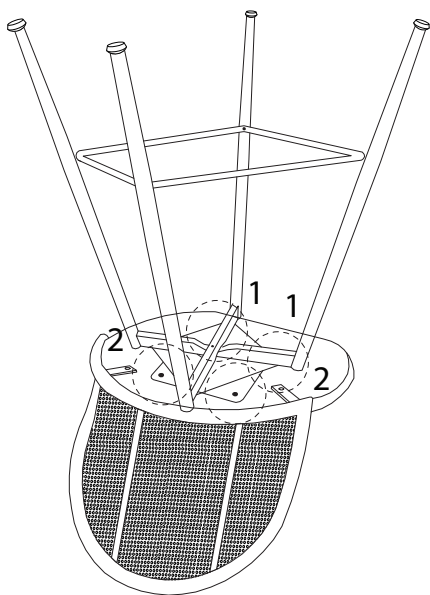
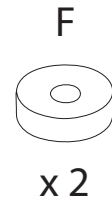
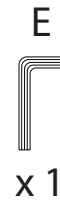
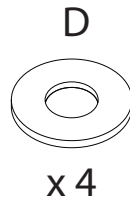


x 4

3

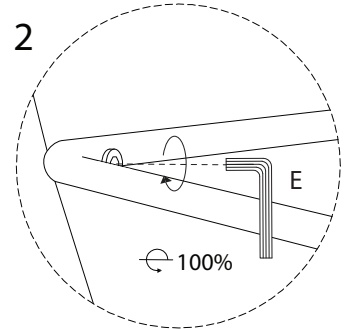
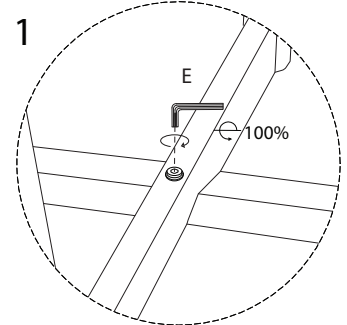
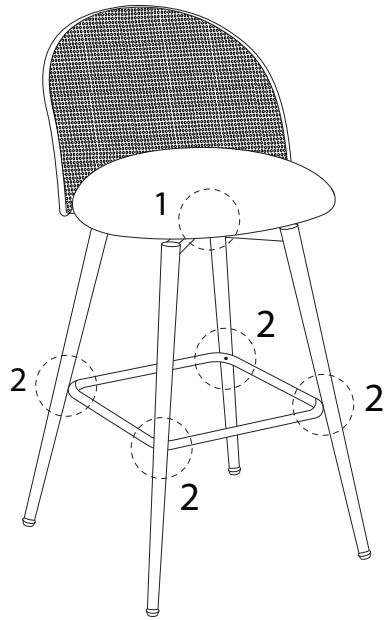


4



5

E
x 1



6

