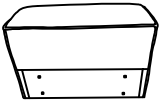

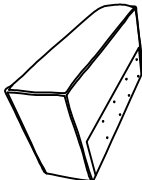
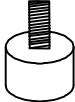




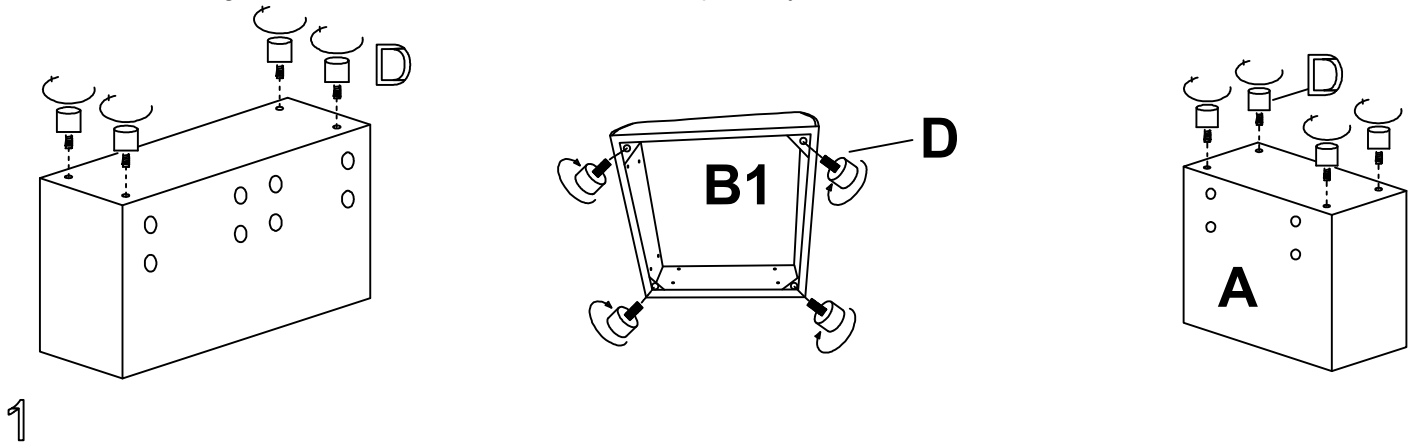


# ASSEMBLY INSTRUCTIONS

 <p><b>A</b> <b>X1</b></p>	 <p><b>B1</b> <b>X1</b></p>	 <p><b>C</b> <b>X1</b></p>	 <p><b>D</b> <b>X12</b></p>
 <p><b>E</b> <b>X8</b> <b>L8.7mm</b></p>	 <p><b>F</b> <b>X8</b></p>	 <p><b>G1x2</b></p>	 <p><b>G2x2</b> <b>L9.7mm</b></p>

Take out the sofa legs from the back frame and seat frame respectively and install them



Combine the sofa seat frame with the back frame, and then assemble other components according to actual usage.

