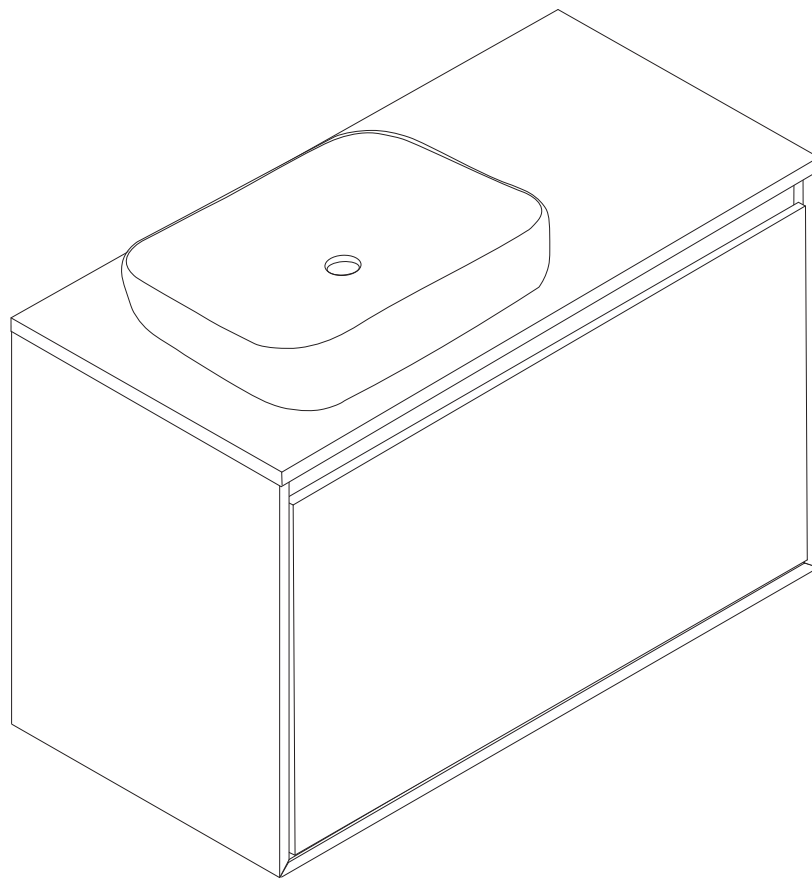
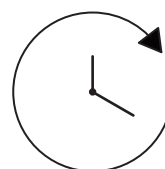
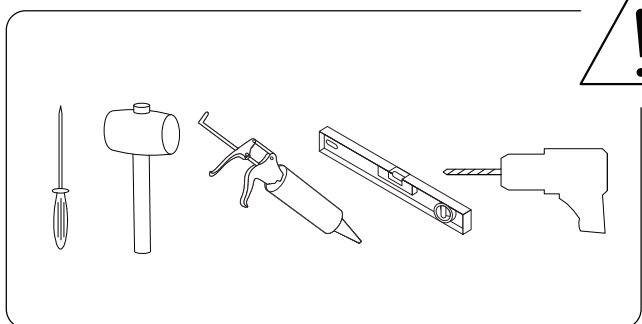
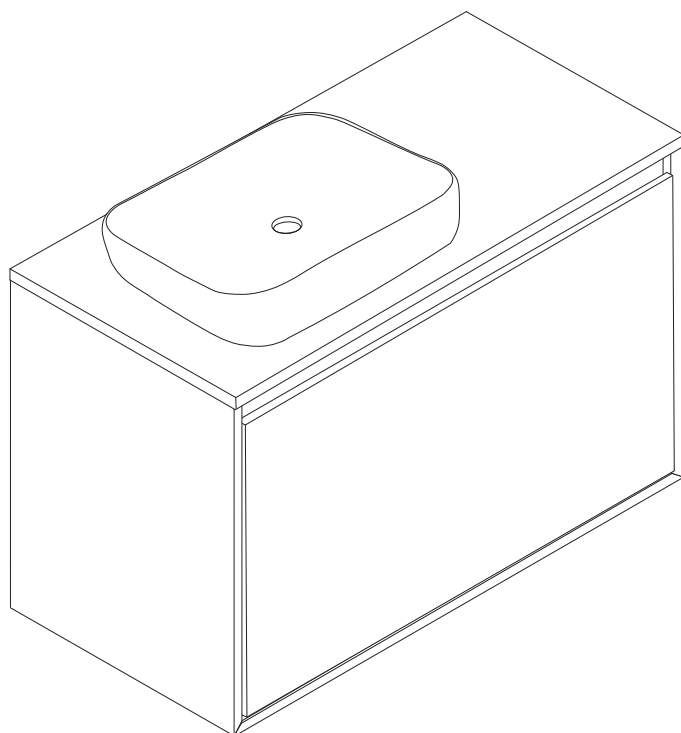
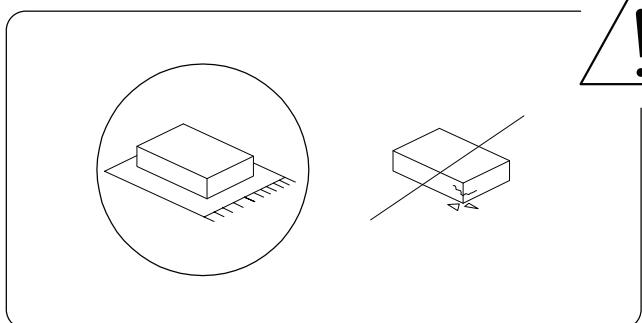


# ARICA

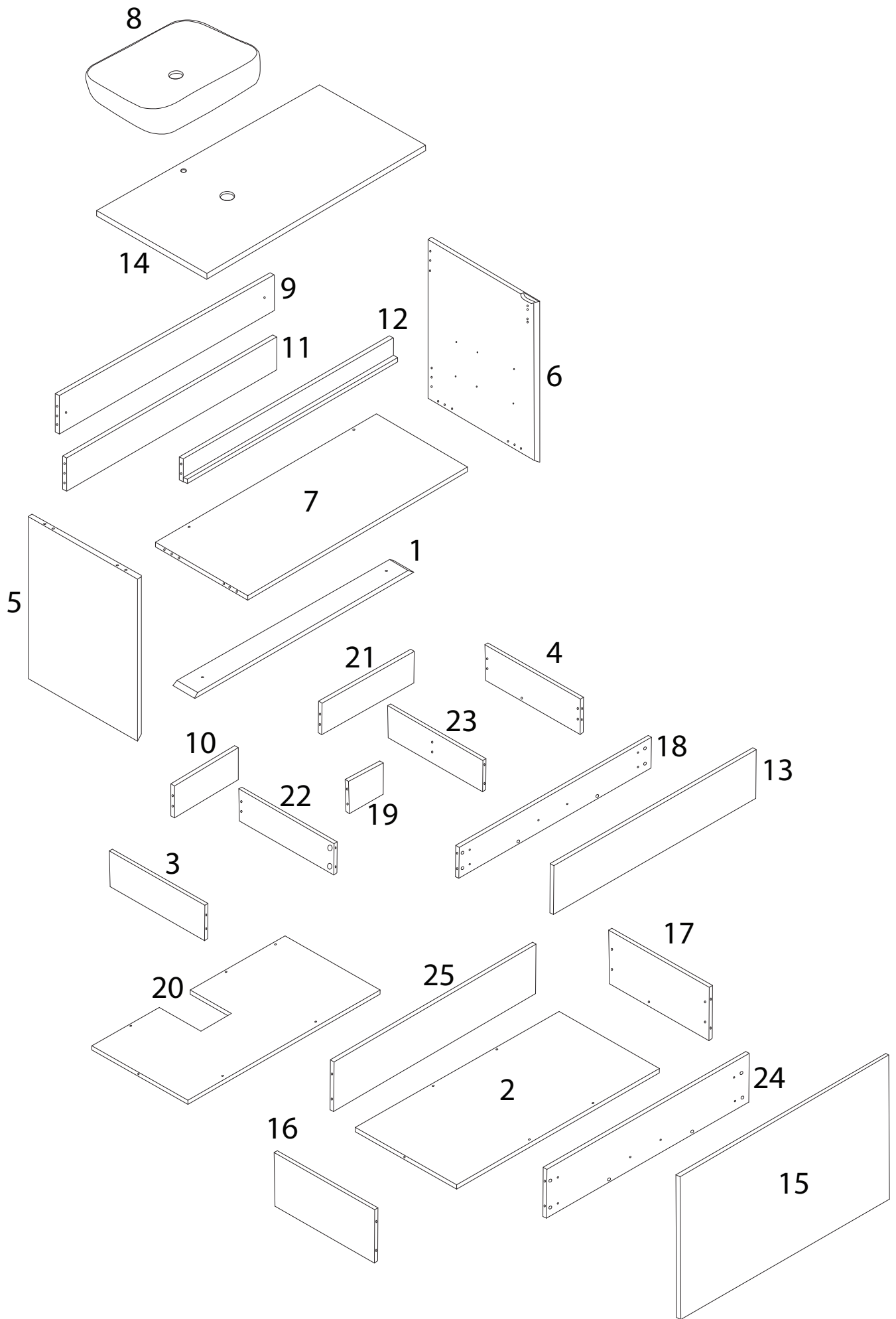


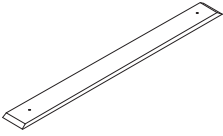
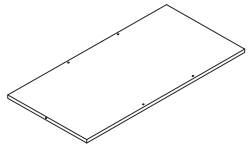
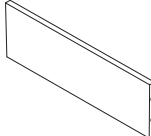
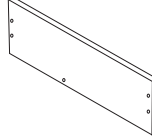
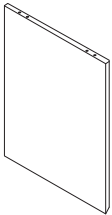
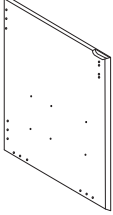
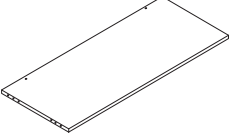
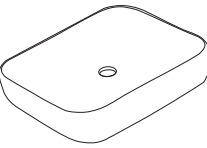
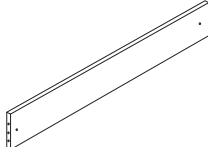
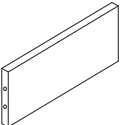
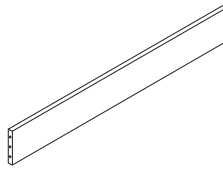
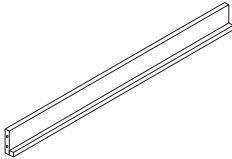
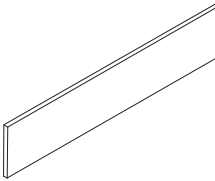
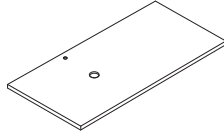
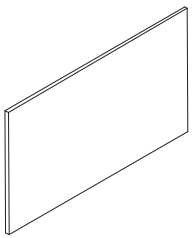
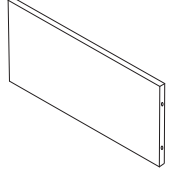
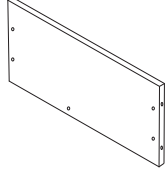
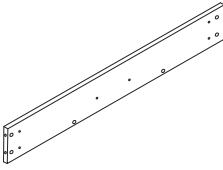
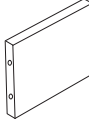
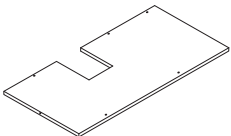
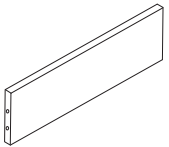
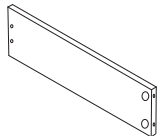
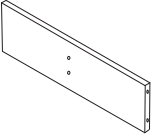
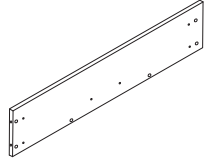
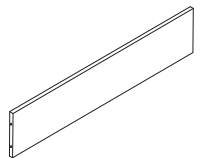


45'



2



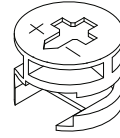
1  x 1	2  x 1	3  x 1	4  x 1	5  x 1
6  x 1	7  x 1	8  x 1	9  x 1	10  x 1
11  x 1	12  x 1	13  x 1	14  x 1	15  x 1
16  x 1	17  x 1	18  x 1	19  x 1	20  x 1
21  x 1	22  x 1	23  x 1	24  x 1	25  x 1

N1



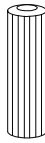
x 59

N2



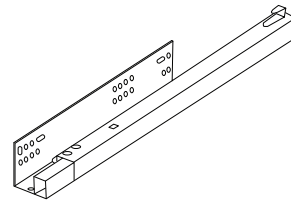
x 59

N4



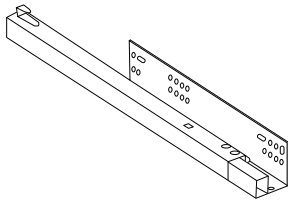
x 12

N7L



x 2

N7R



x 2

N10



M4  
x  
14

x 32

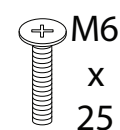
N11



M4  
x  
25

x 11

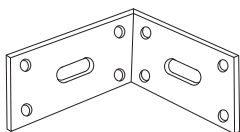
N12



M6  
x  
25

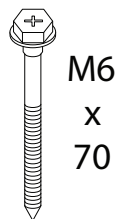
x 4

N13<sub>1</sub>



x 2

N13<sub>2</sub>



M6  
x  
70

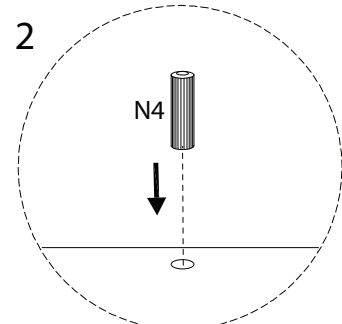
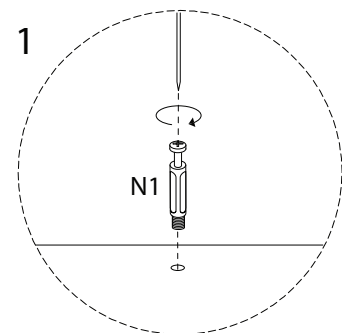
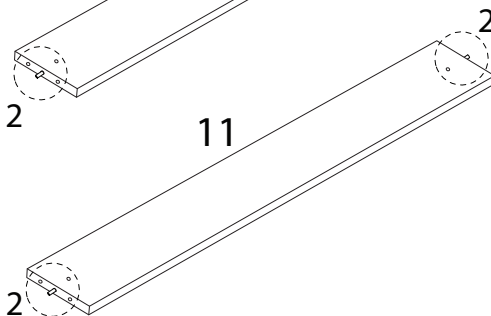
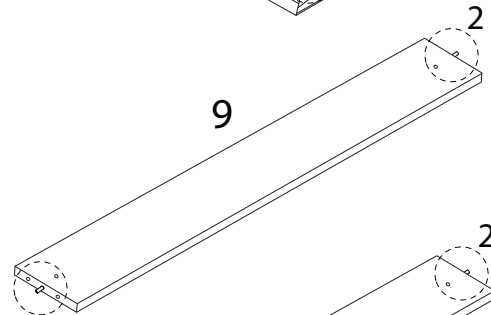
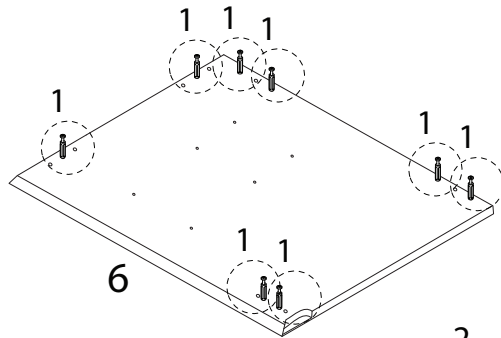
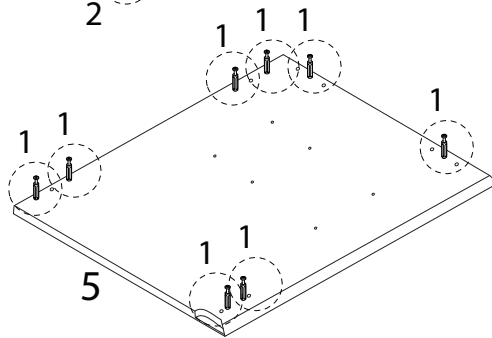
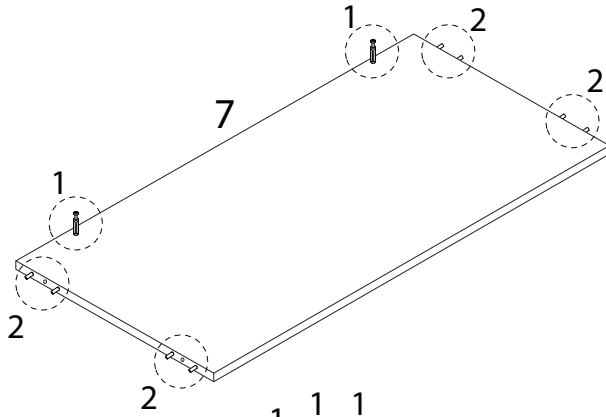
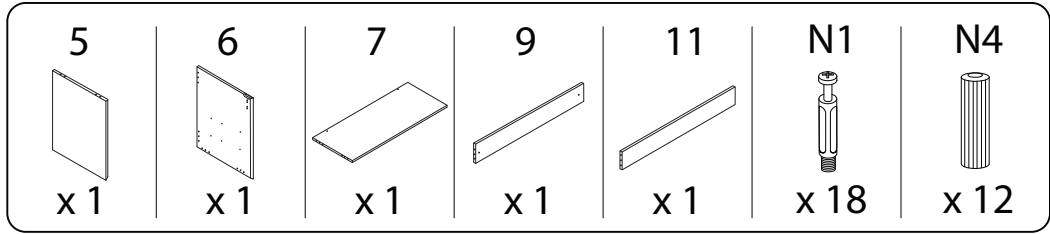
x 2

N13<sub>3</sub>



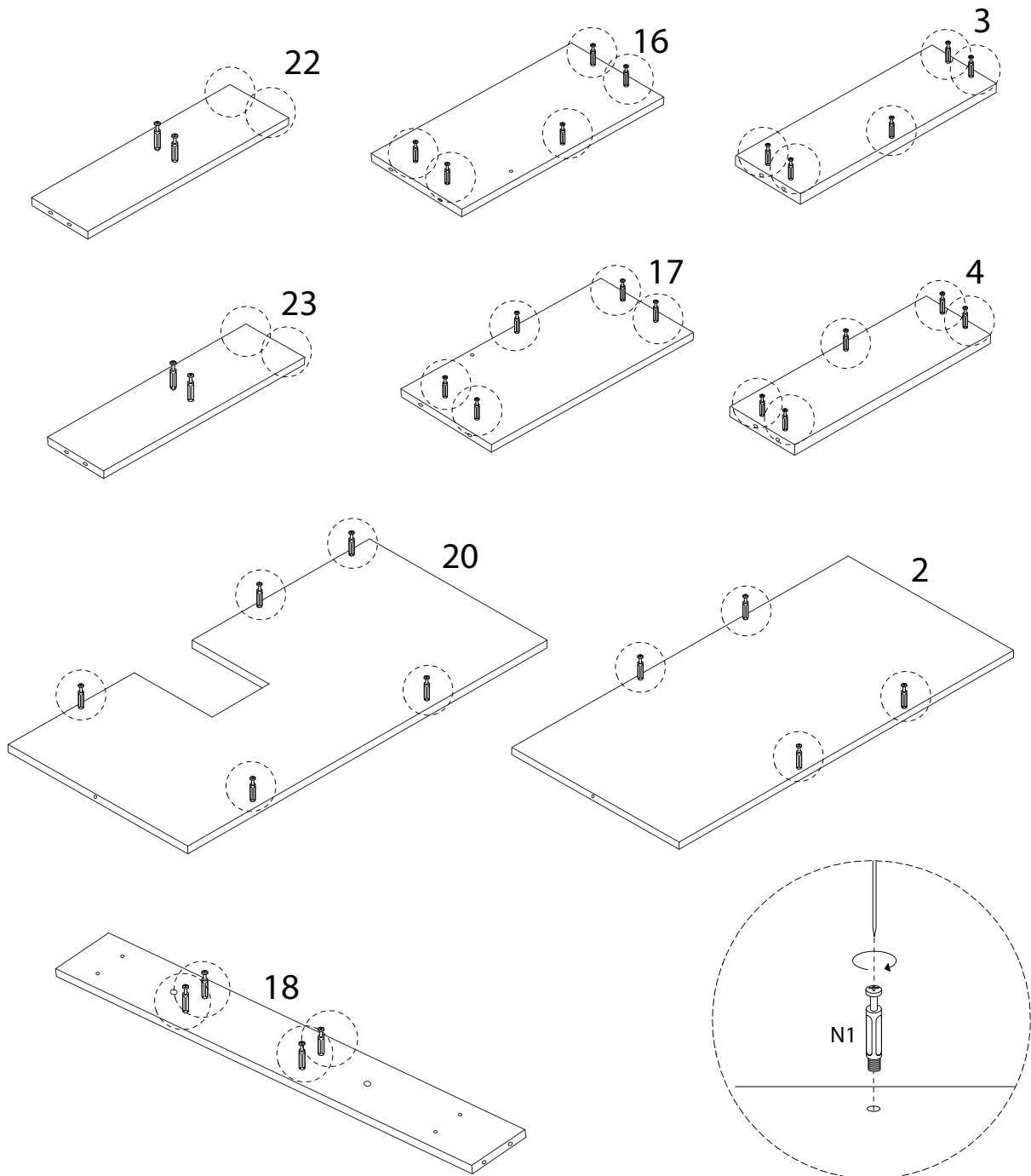
x 2

1



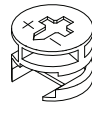
2

2 x 1	3 x 1	4 x 1	16 x 1	17 x 1
18 x 1	20 x 1	22 x 1	23 x 1	N1 x 41

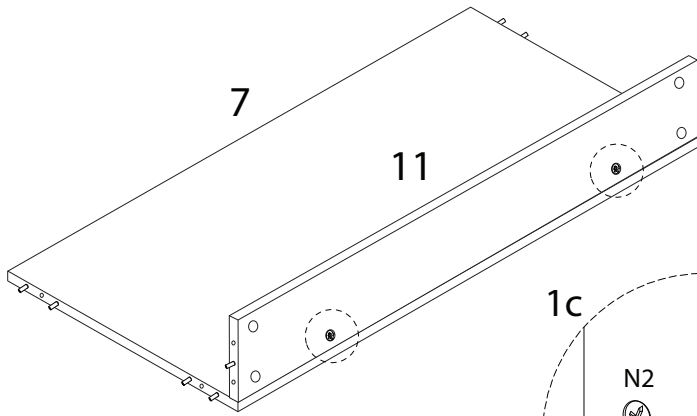


3

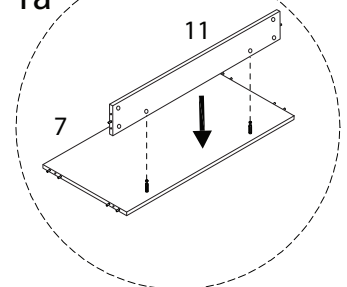
N2



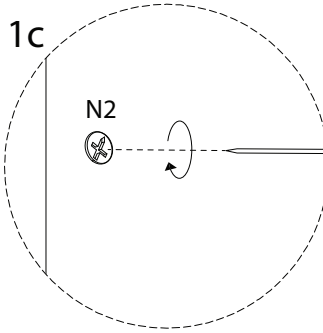
x 2



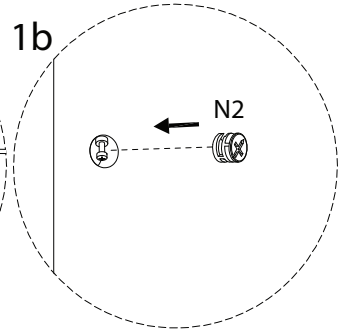
1a



1c

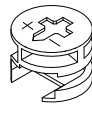


1b

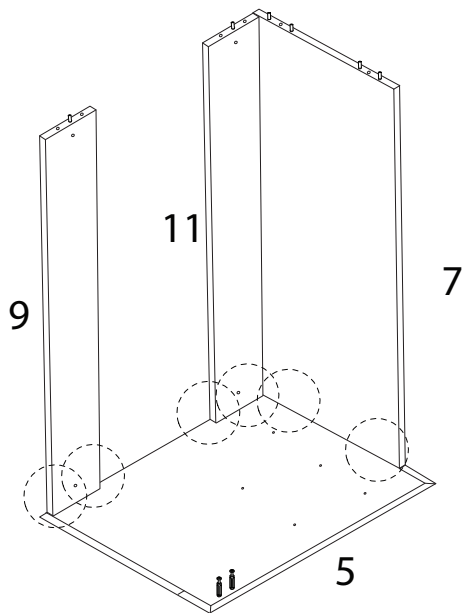


4

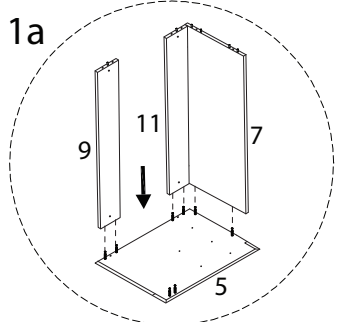
N2



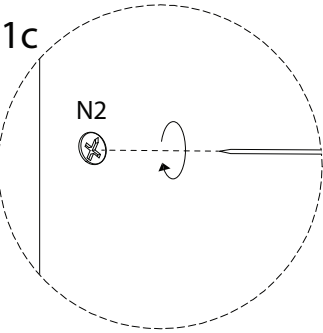
x 6



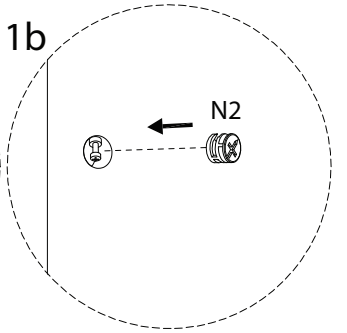
1a



1c

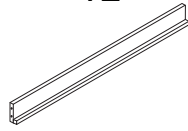


1b



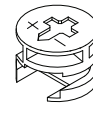
5

12

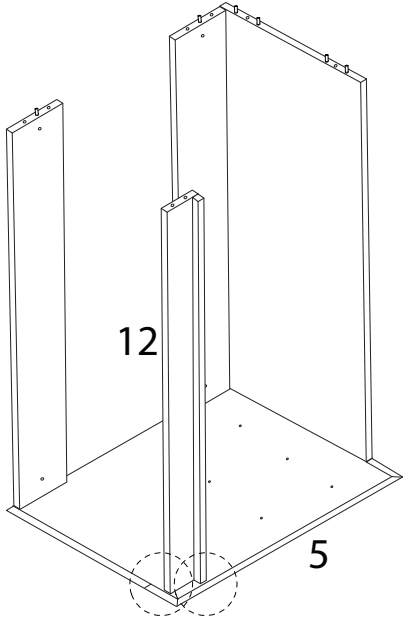


x 1

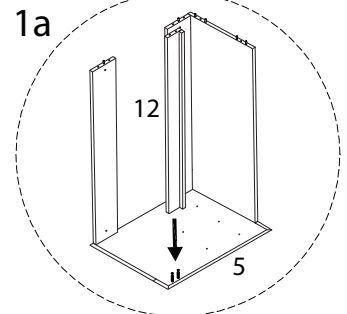
N2



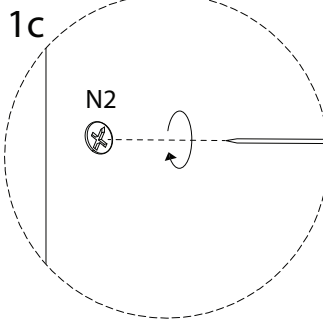
x 2



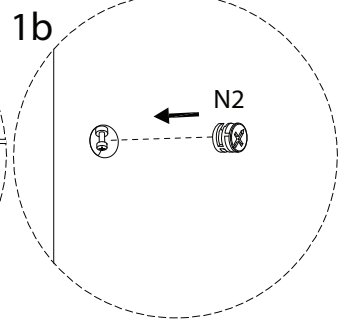
1a



1c

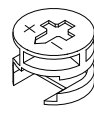


1b

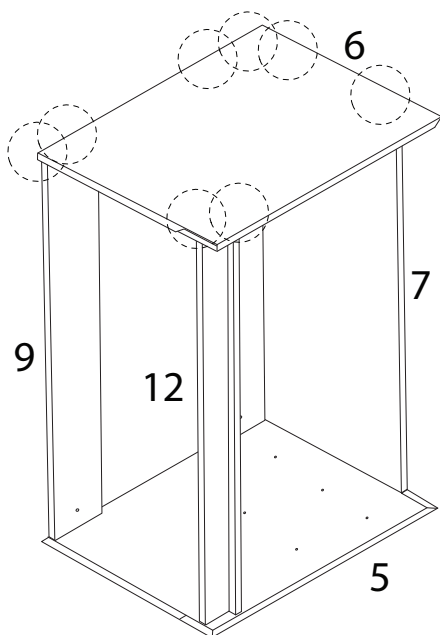


6

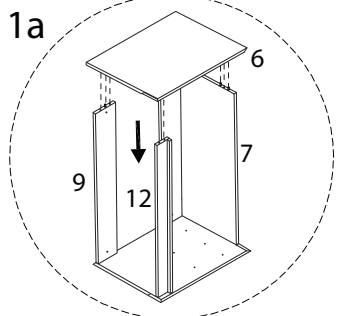
N2



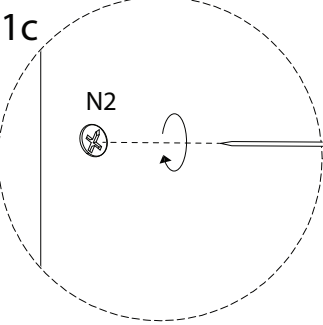
x 8



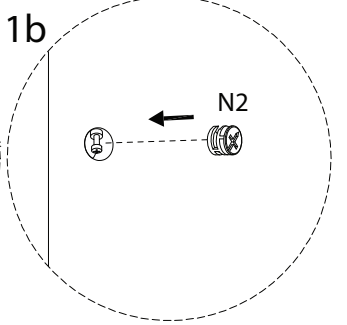
1a



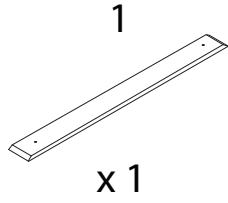
1c



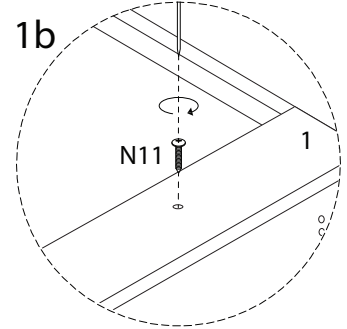
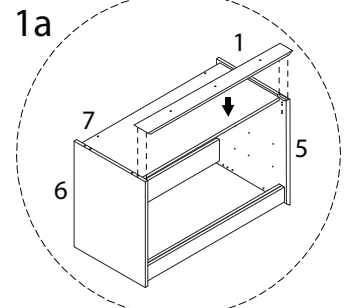
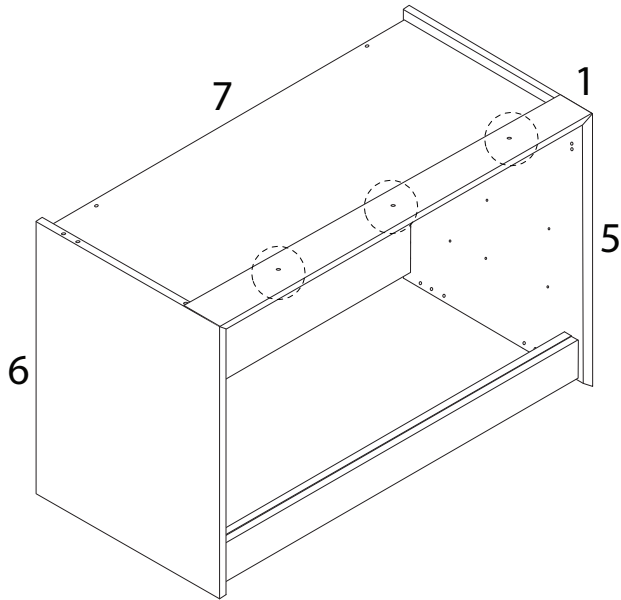
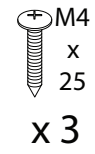
1b



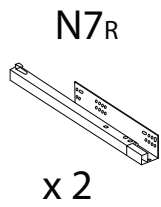
7



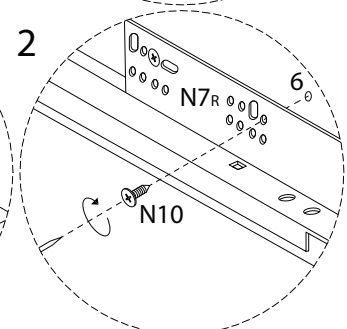
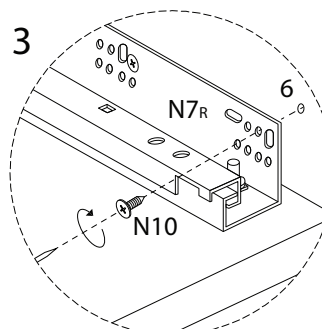
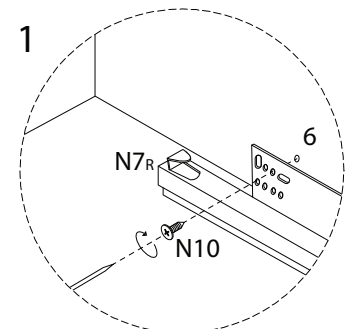
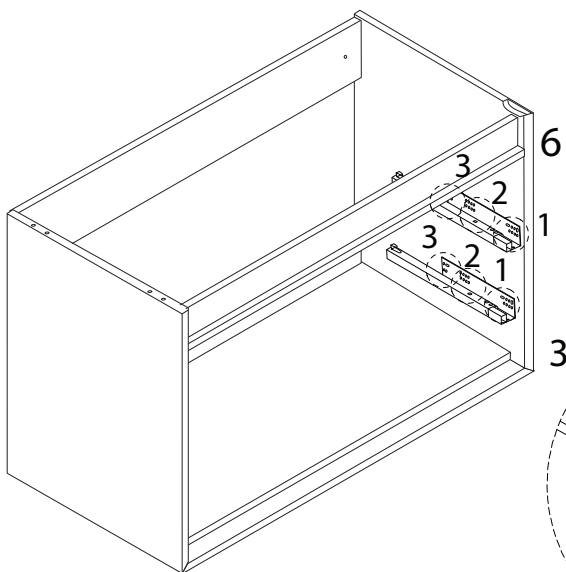
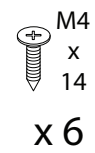
N11



8

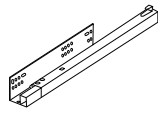


N10



9

N7L

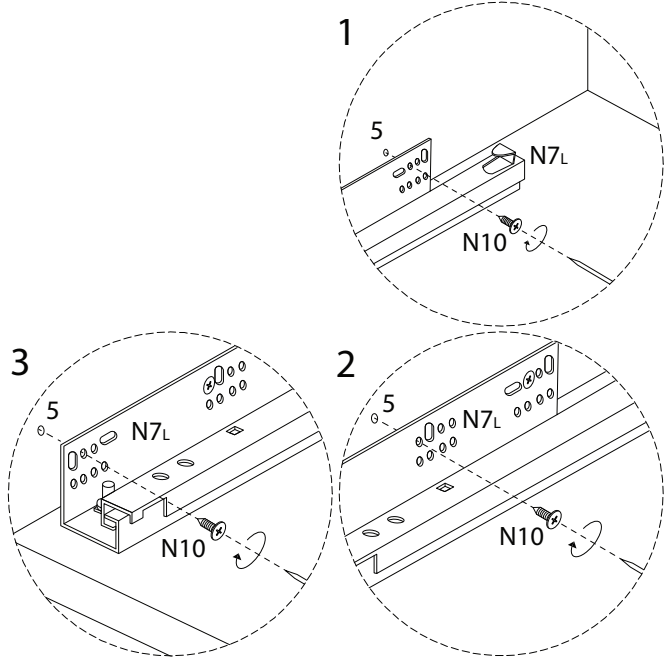
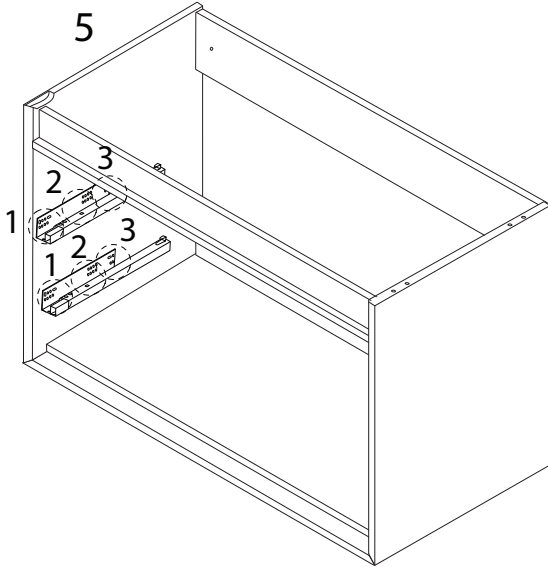


x 2

N10

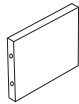


M4  
x  
14  
x 6



10

19

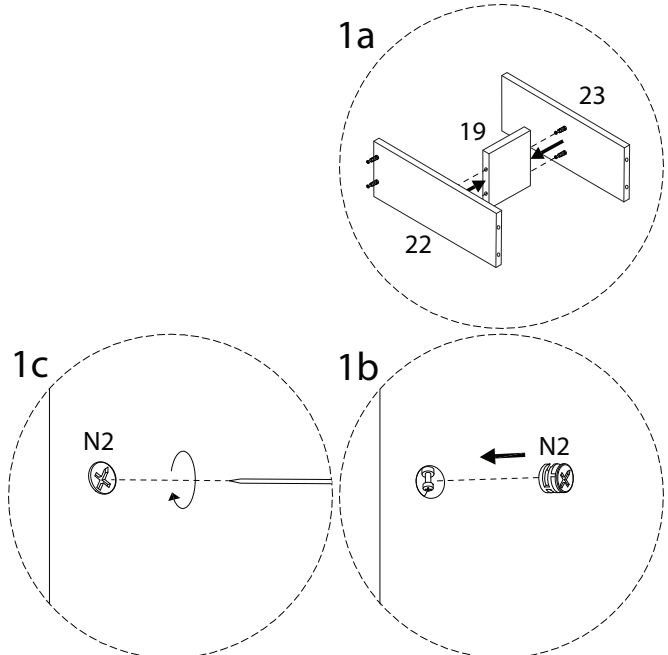
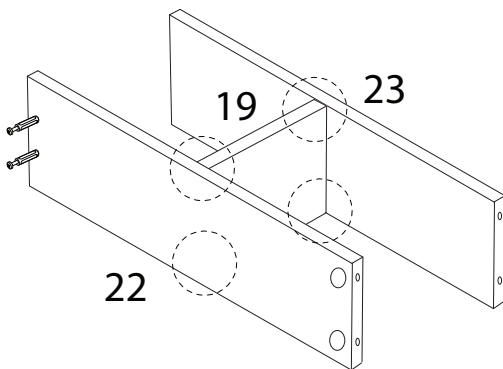


x 1

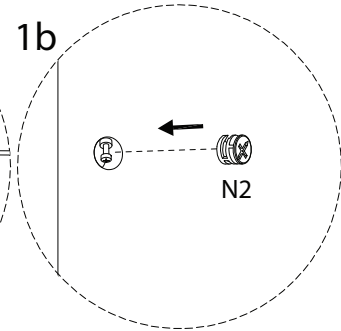
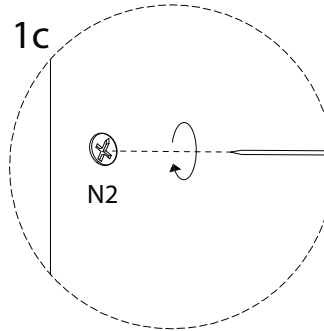
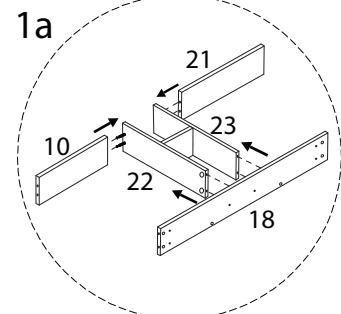
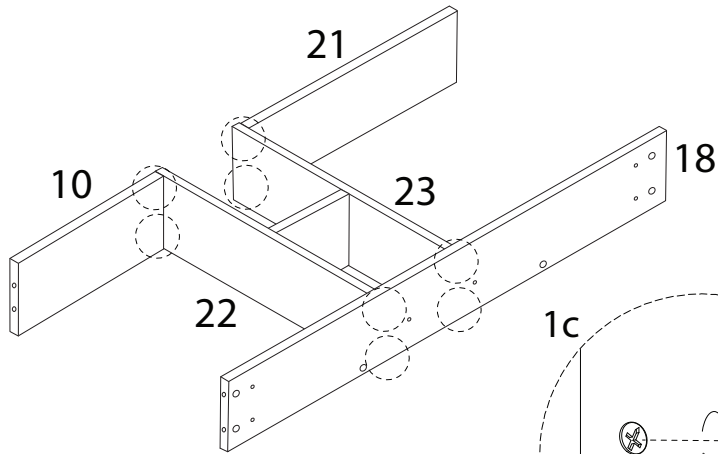
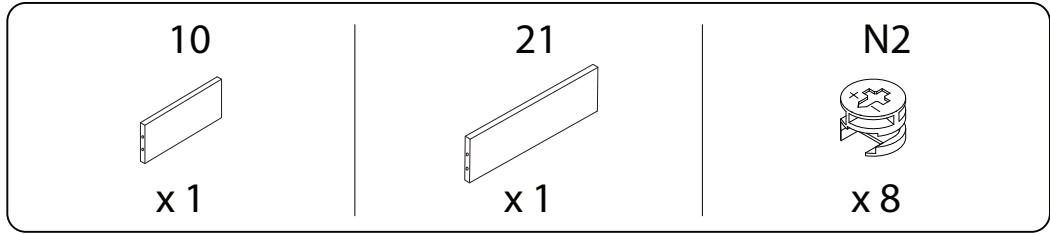
N2



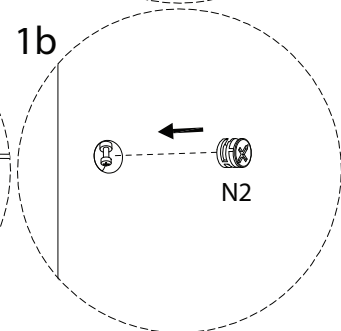
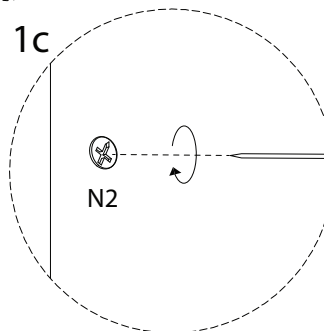
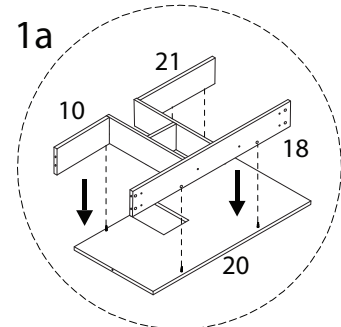
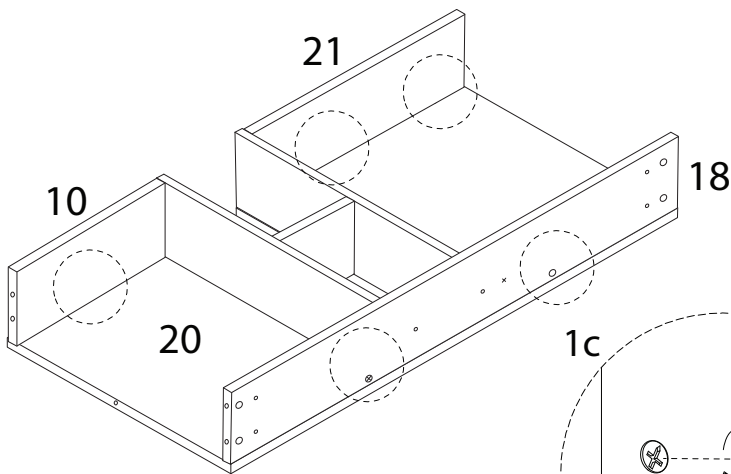
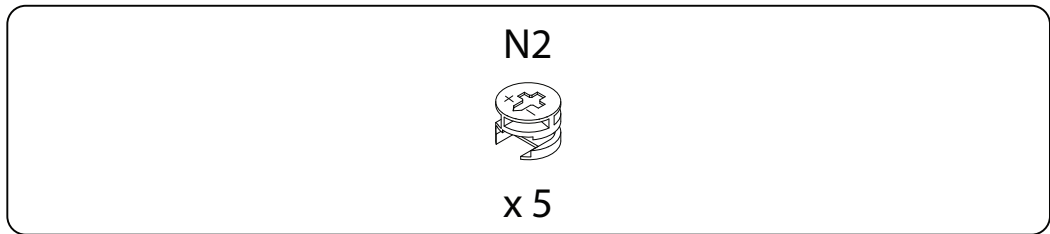
x 4



# 11



# 12

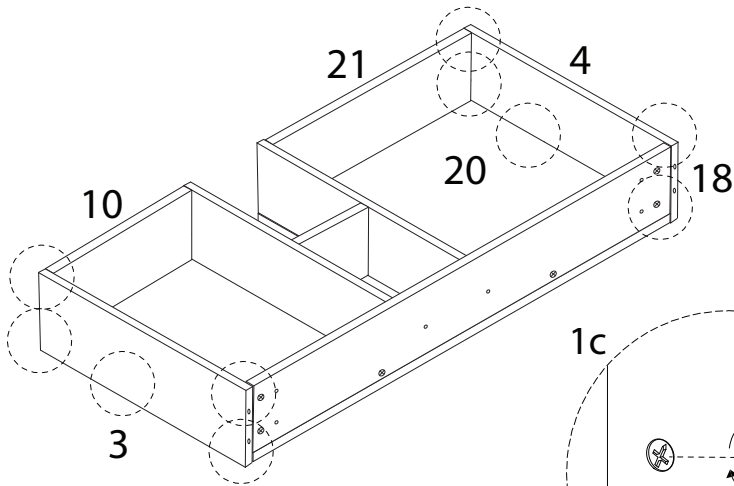


13

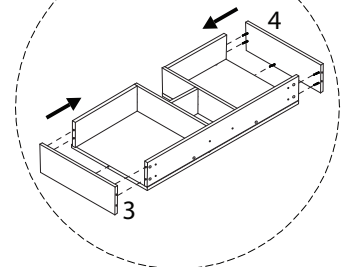
N2



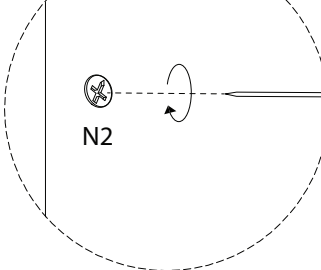
x 10



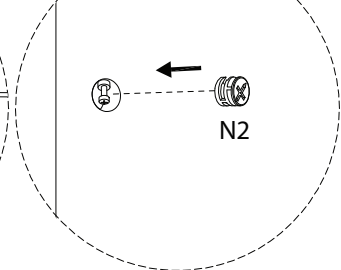
1a



1c

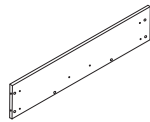


1b



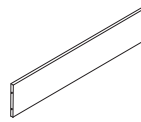
14

24



x 1

25

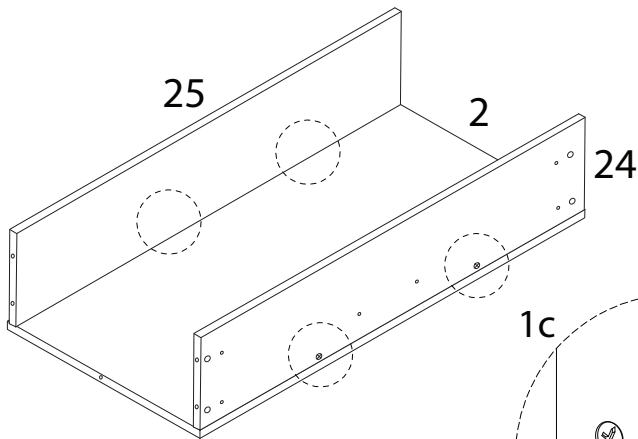


x 1

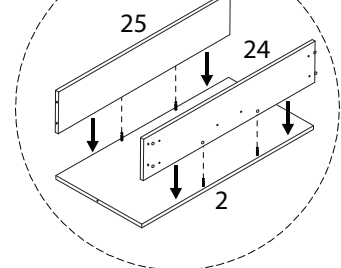
N2



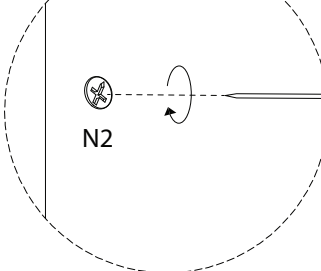
x 4



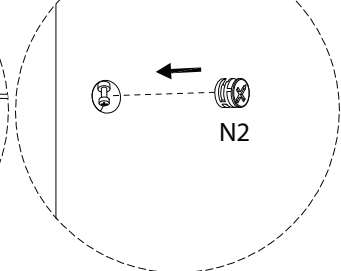
1a



1c



1b

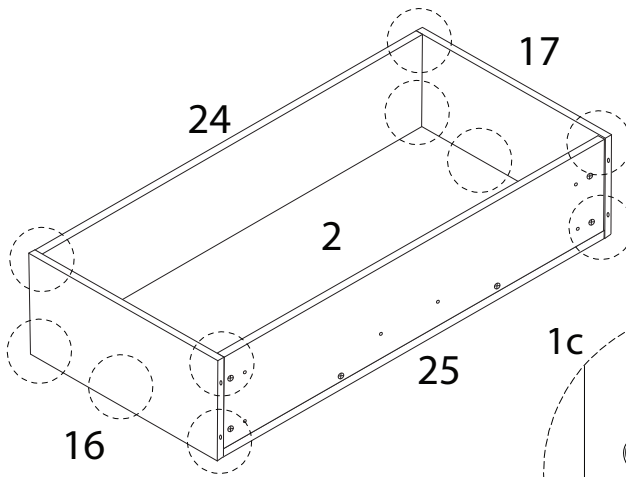


15

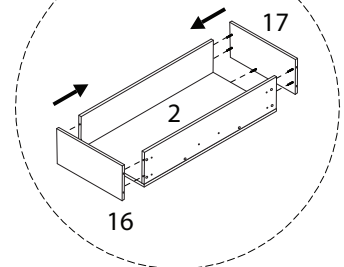
N2



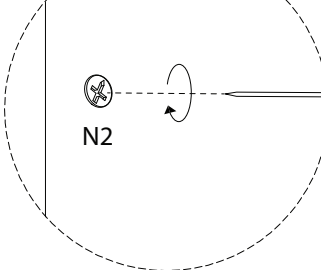
x 10



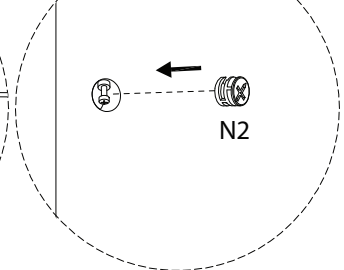
1a



1c

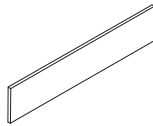


1b



16

13

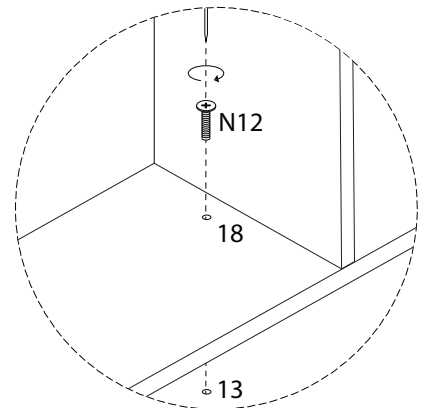
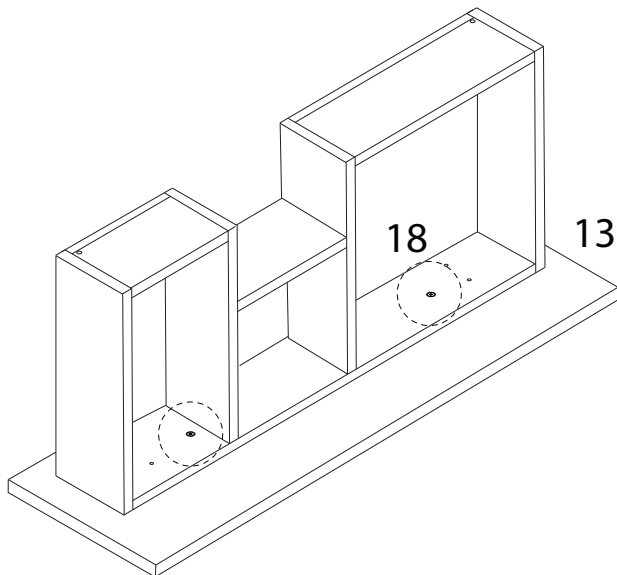


x 1

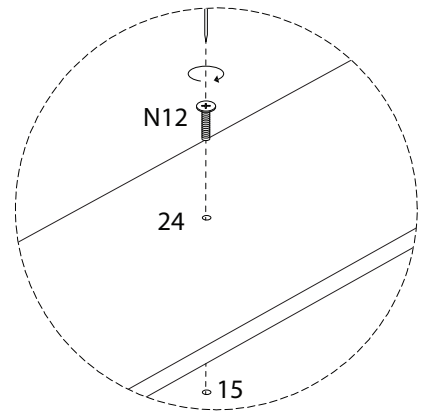
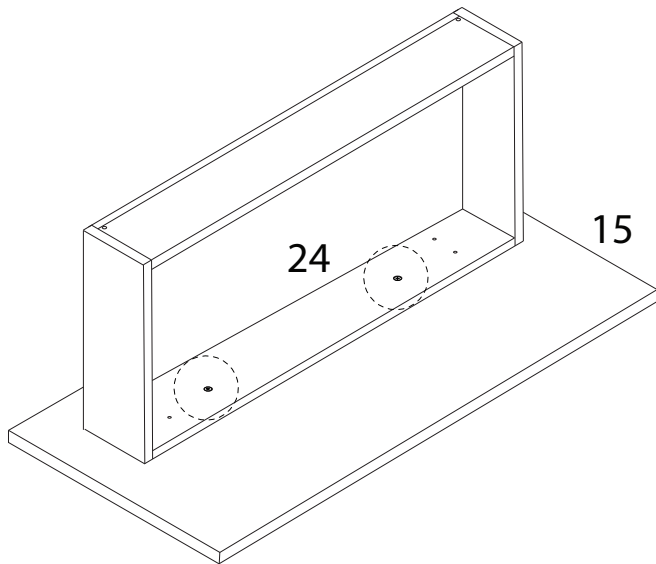
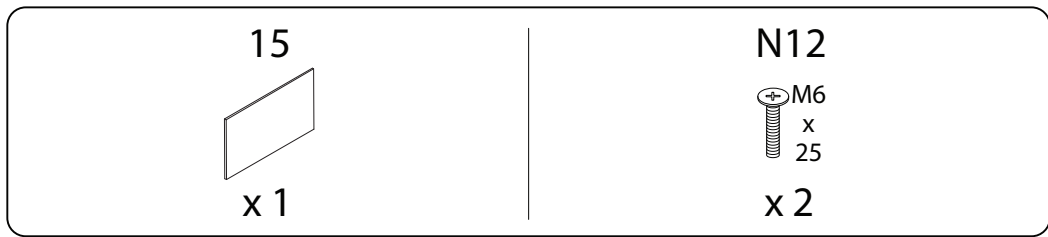
N12



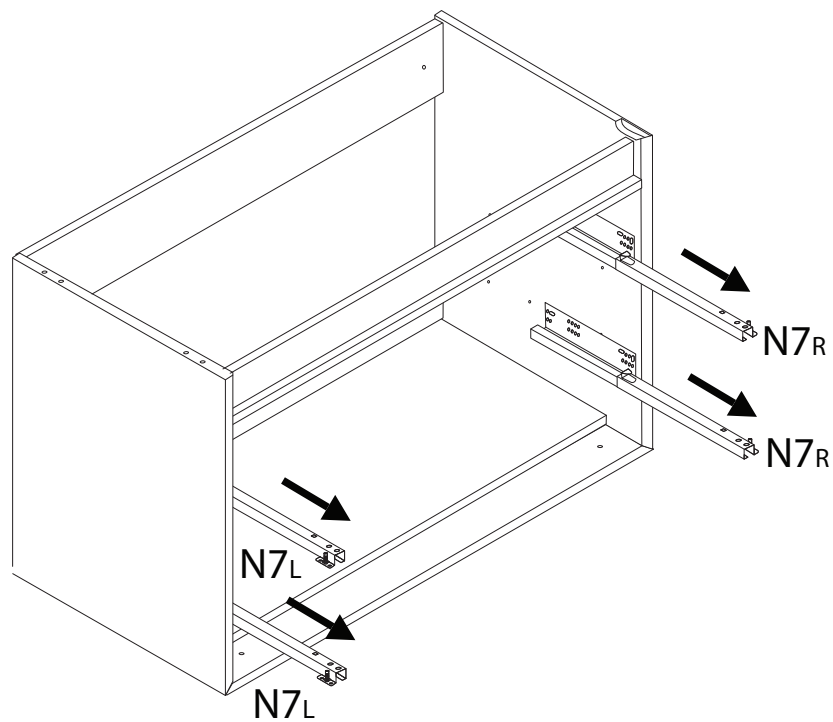
x 2



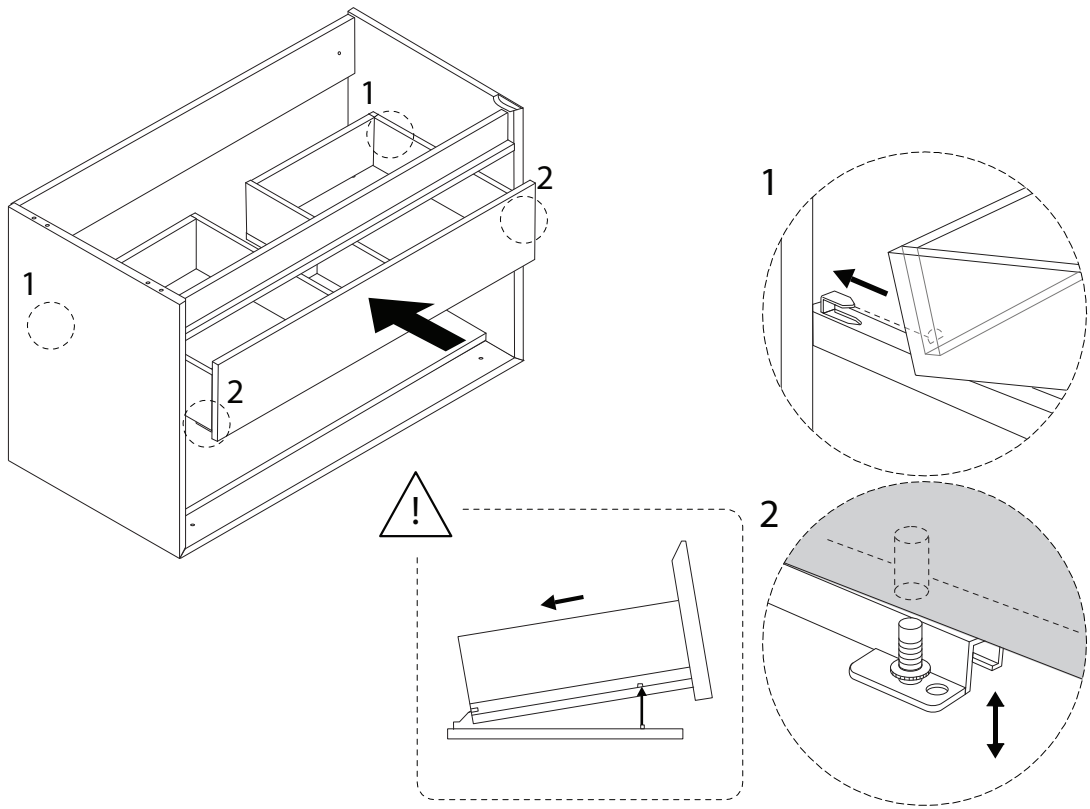
17



18



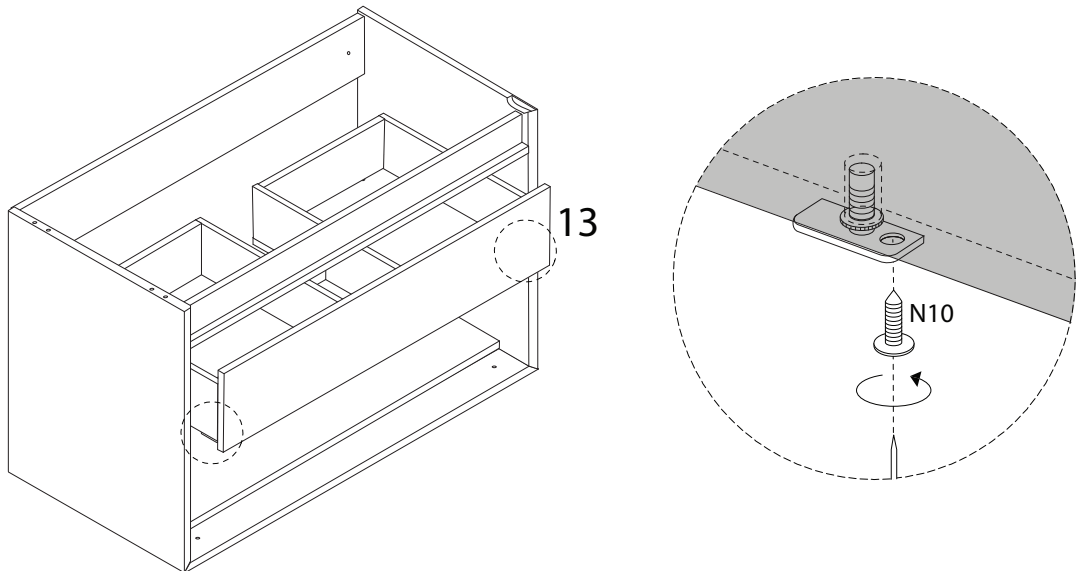
19



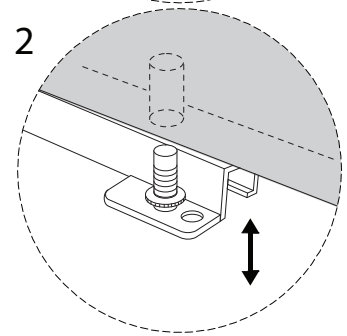
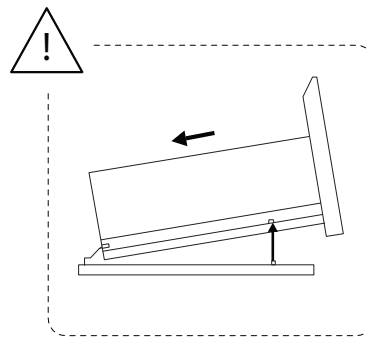
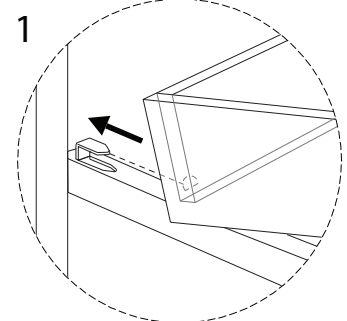
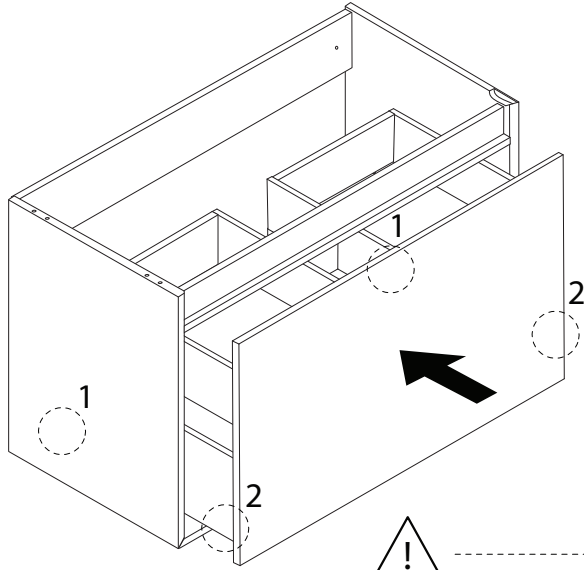
20

N10

M4  
x  
14  
x 2

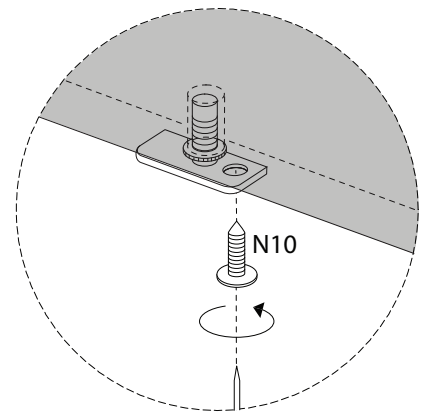
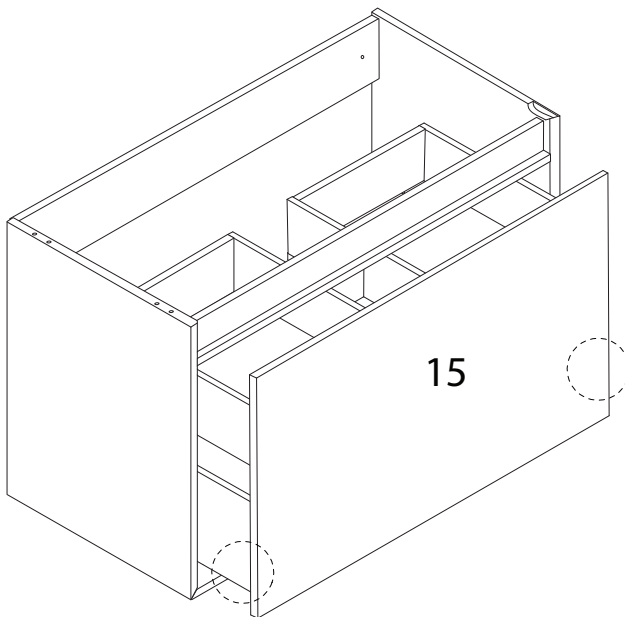
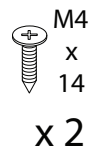


21



22

N10

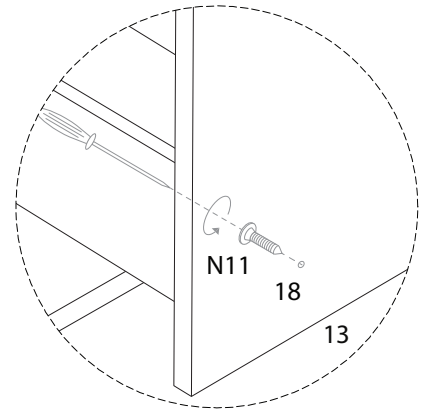
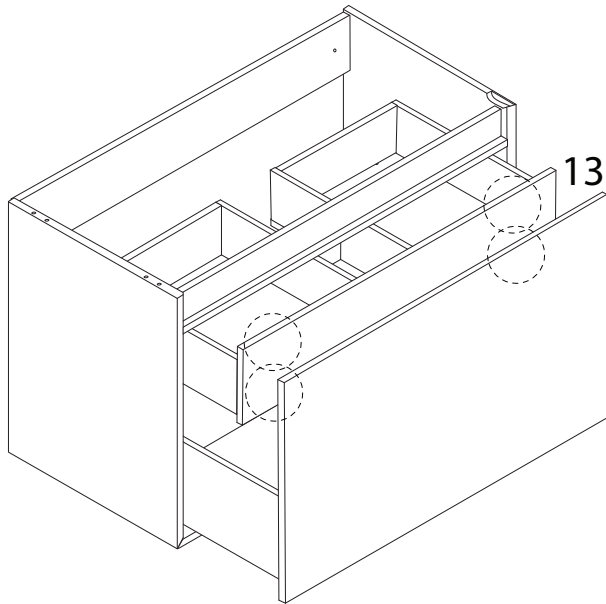


23

N11

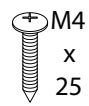


x 4

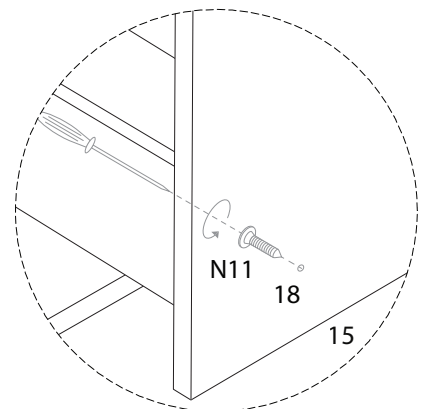
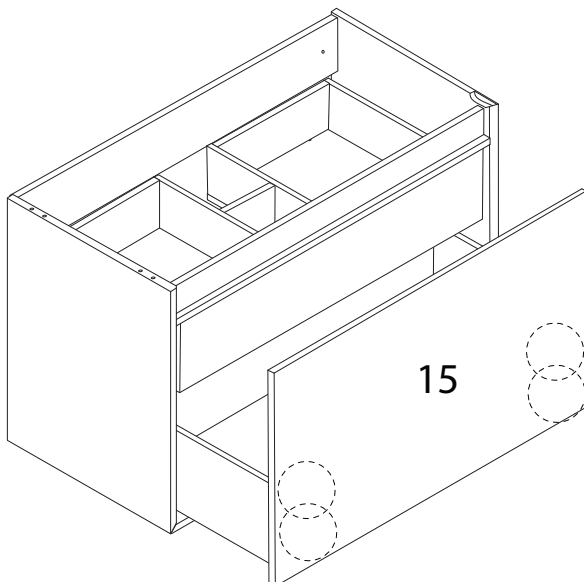


24

N11



x 4



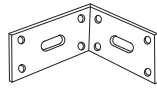
25

N10



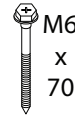
x 16

N13<sub>1</sub>



x 2

N13<sub>2</sub>

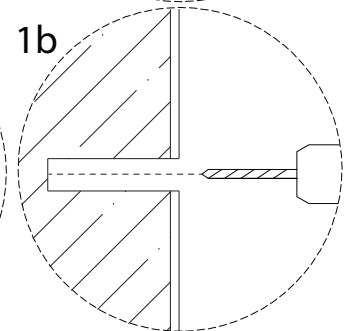
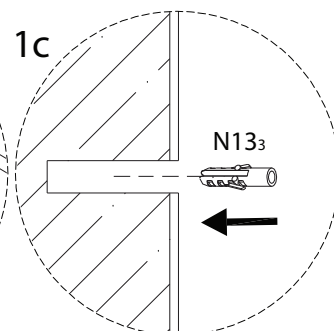
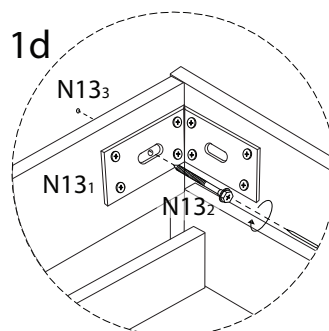
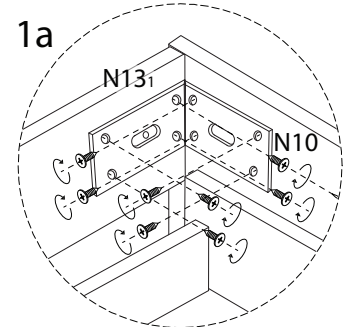
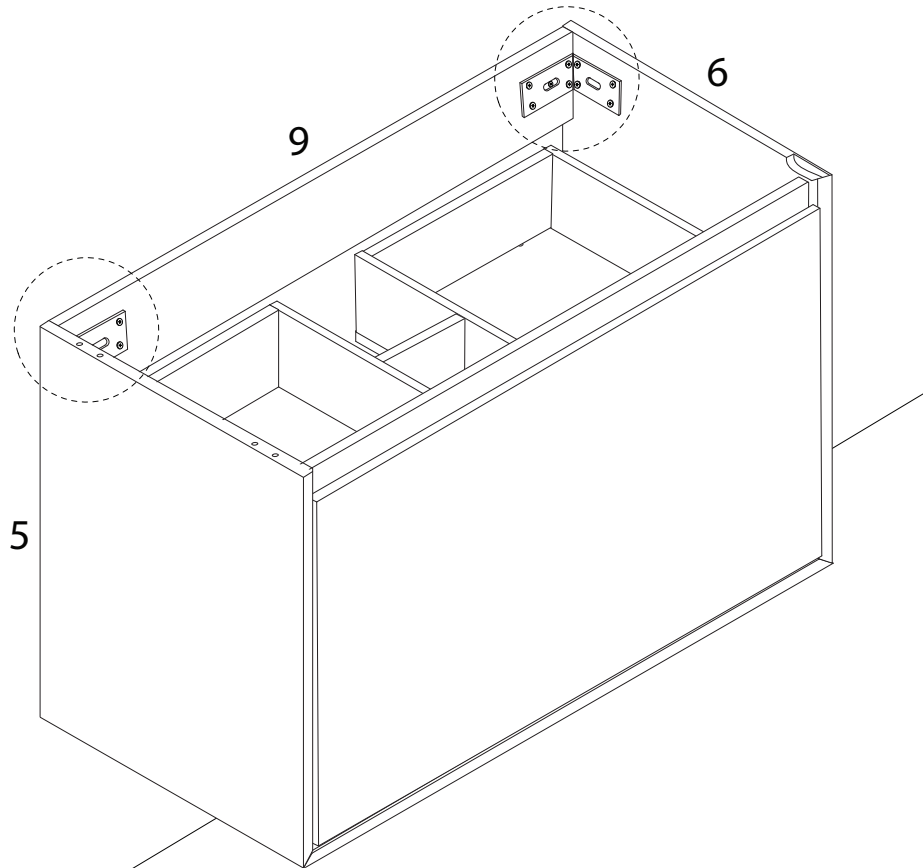


x 2

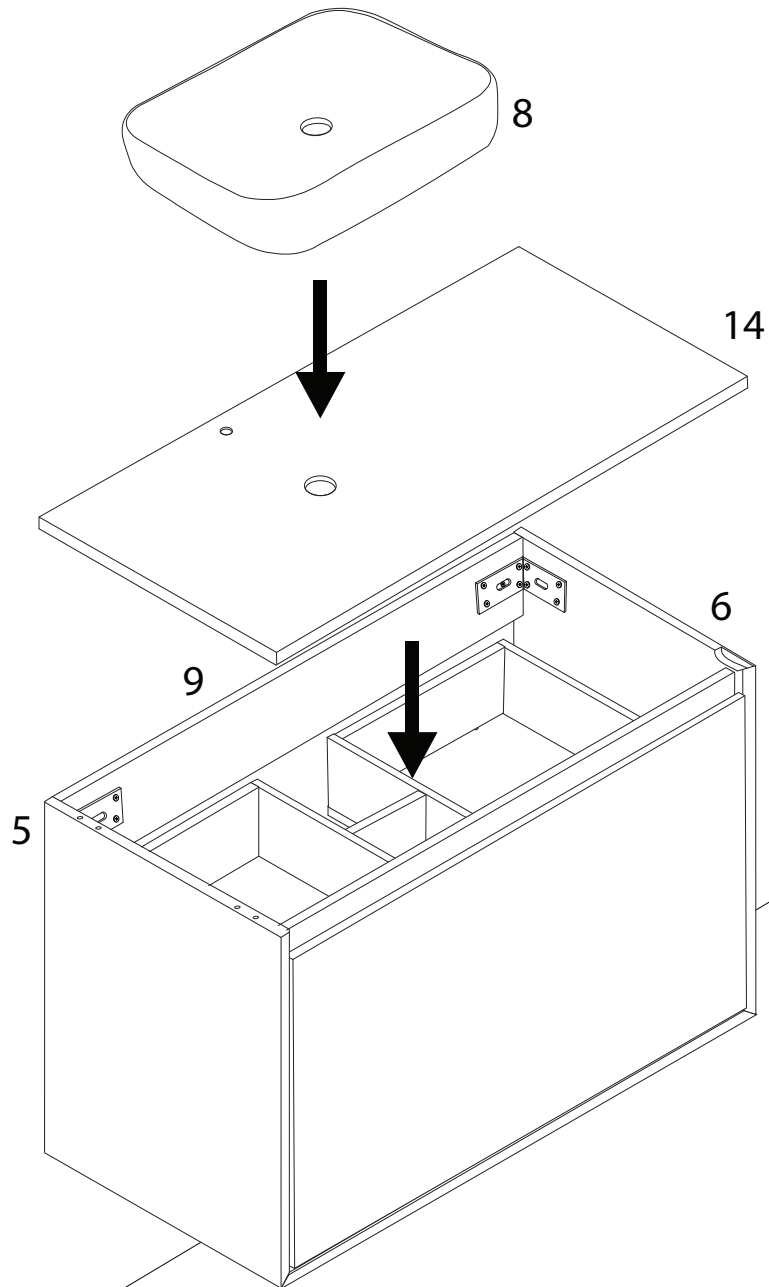
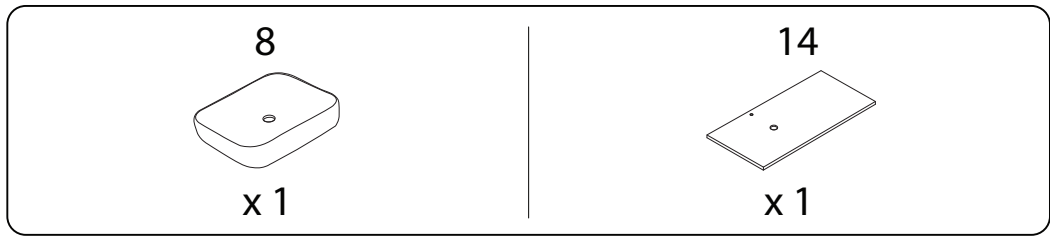
N13<sub>3</sub>



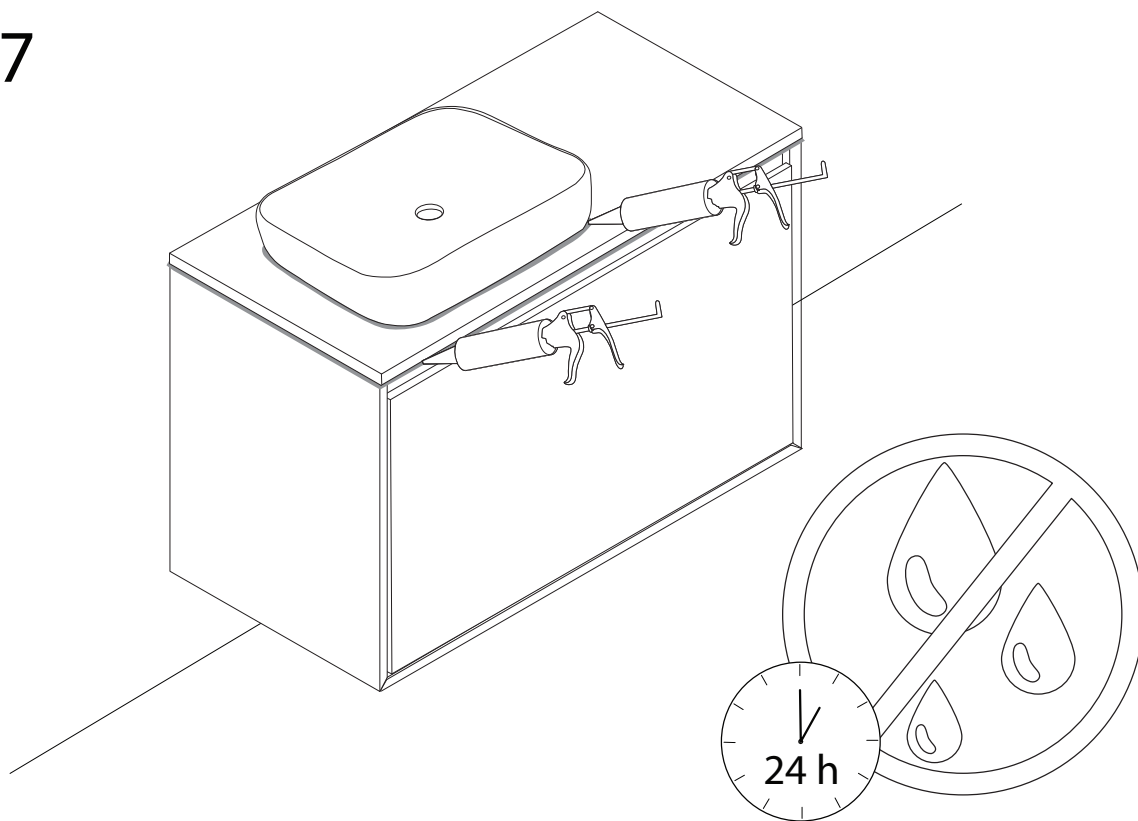
x 2



26



27



!

