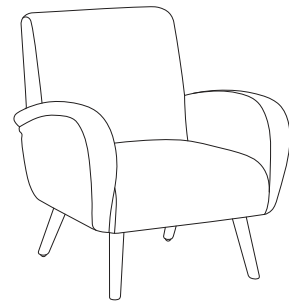
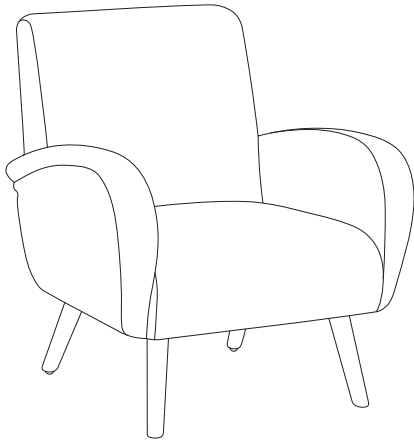


# PLASSEN



10'

1

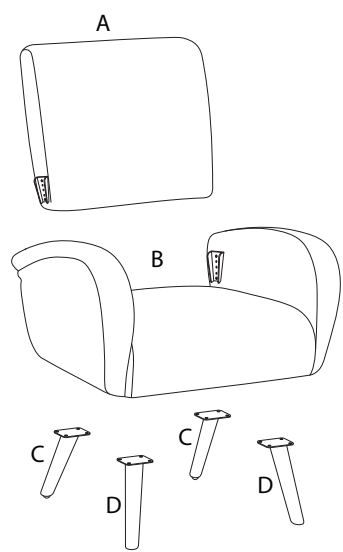
1/4

914/PLASSEN/281125/

<p>A</p> <p>x 1</p>	<p>B</p> <p>x 1</p>
---------------------	---------------------

1

<p>A</p> <p>x 1</p>	<p>B</p> <p>x 1</p>
---------------------	---------------------



2

<p>C</p> <p>x 2</p>	<p>D</p> <p>x 2</p>	<p>E</p> <p>M6 x 30 x 16</p>	<p>F</p> <p>x 1</p>
---------------------	---------------------	--------------------------------------	---------------------

<p>C</p> <p>x 2</p>	<p>D</p> <p>x 2</p>	<p>E</p> <p>M6 x 30 x 16</p>	<p>F</p> <p>x 1</p>
---------------------	---------------------	--------------------------------------	---------------------

2/4

914/PLASSEN/281125/

3/4

914/PLASSEN/281125/

3

