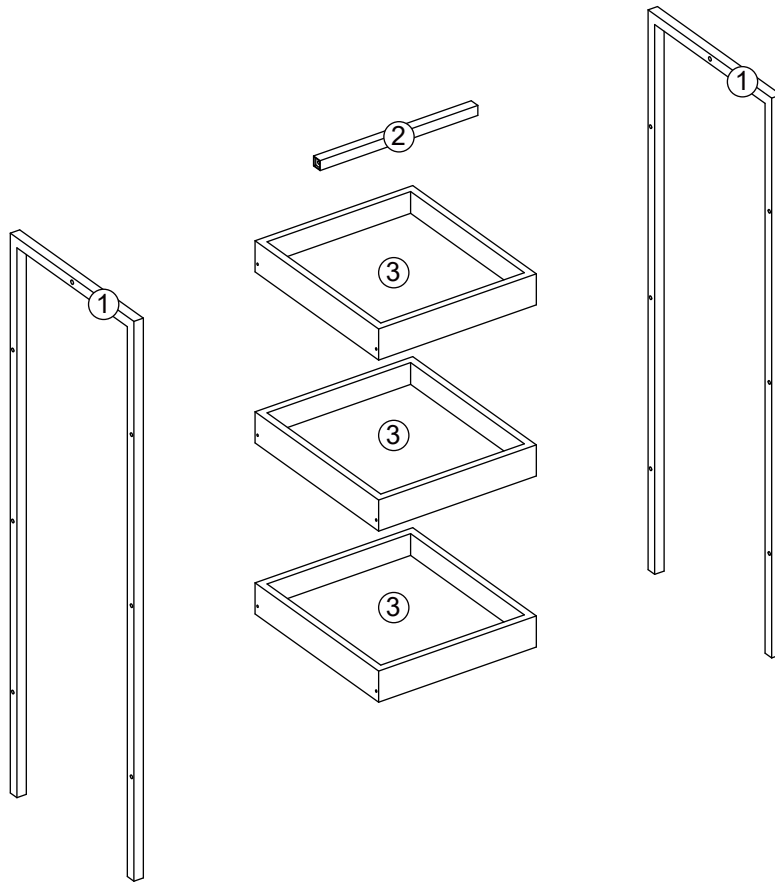
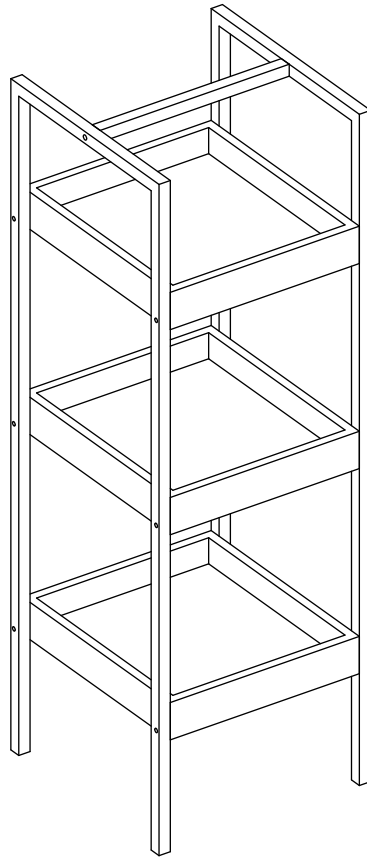


# ASSEMBLY INSTRUCTION



A x 2

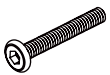
B x 1

C x 14

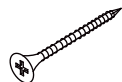
D x 2

E x 2

F x 2

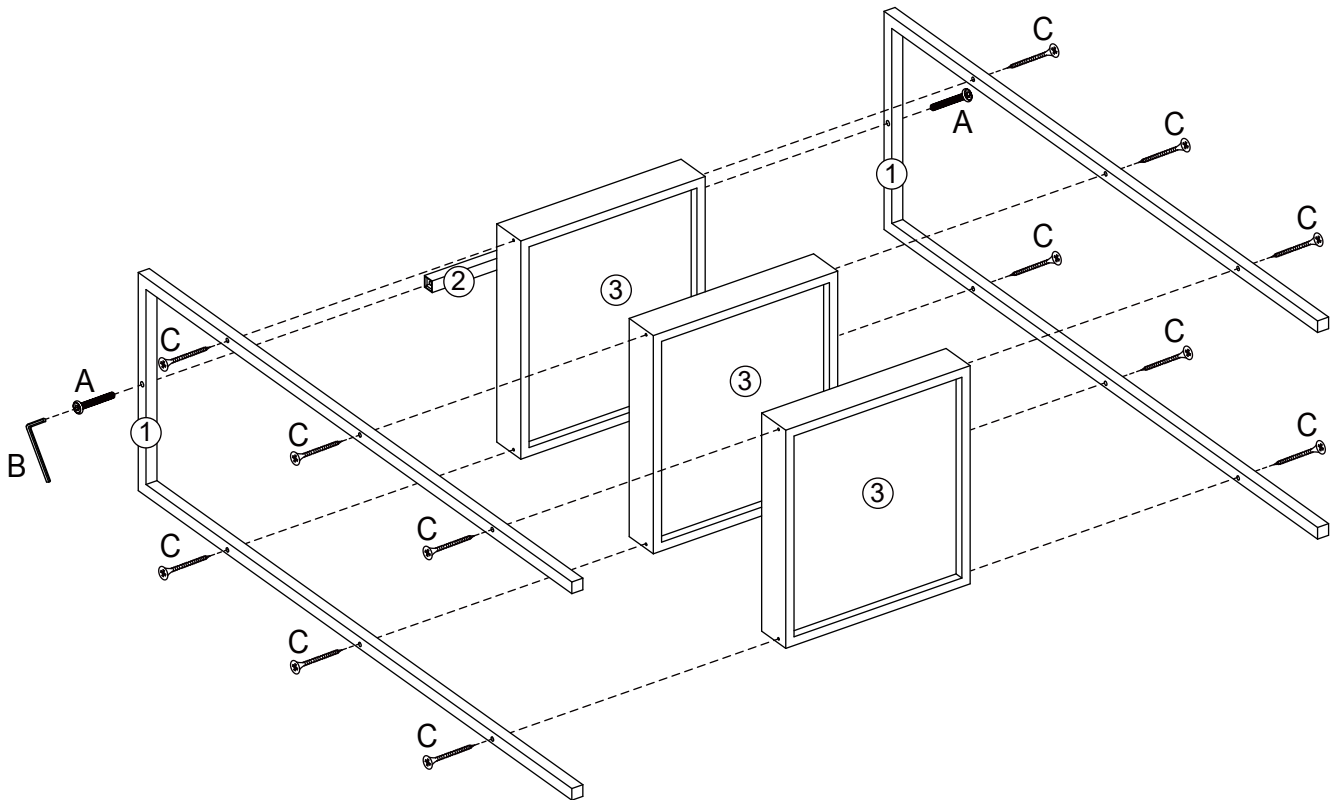


M6 x 30



M4 x 40



**1****2**