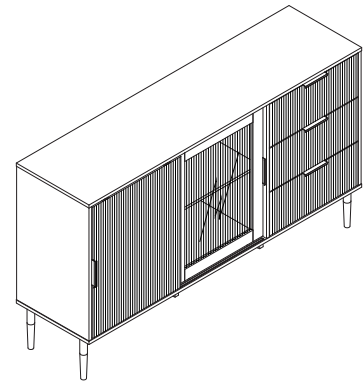
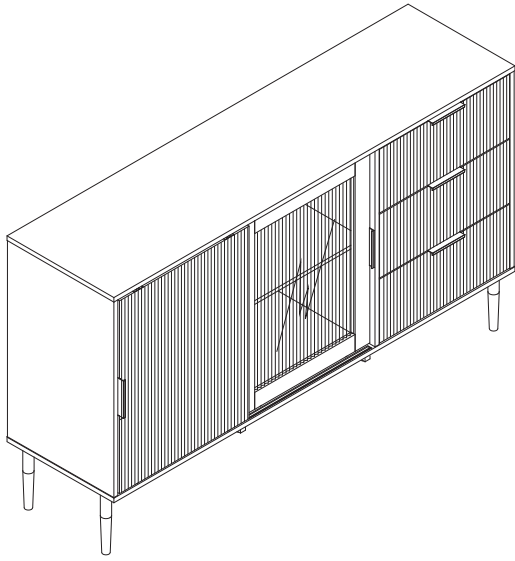
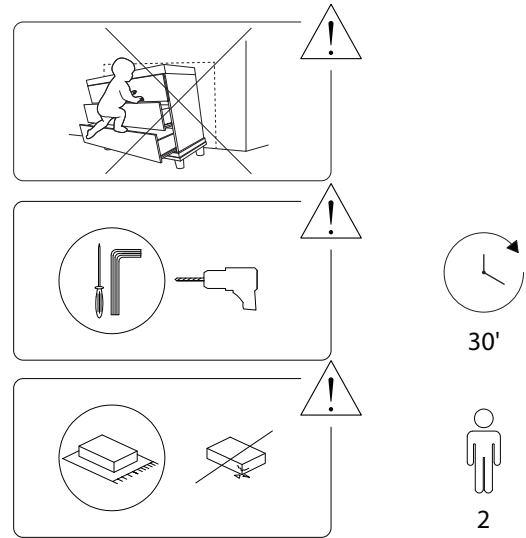


# LEDUC

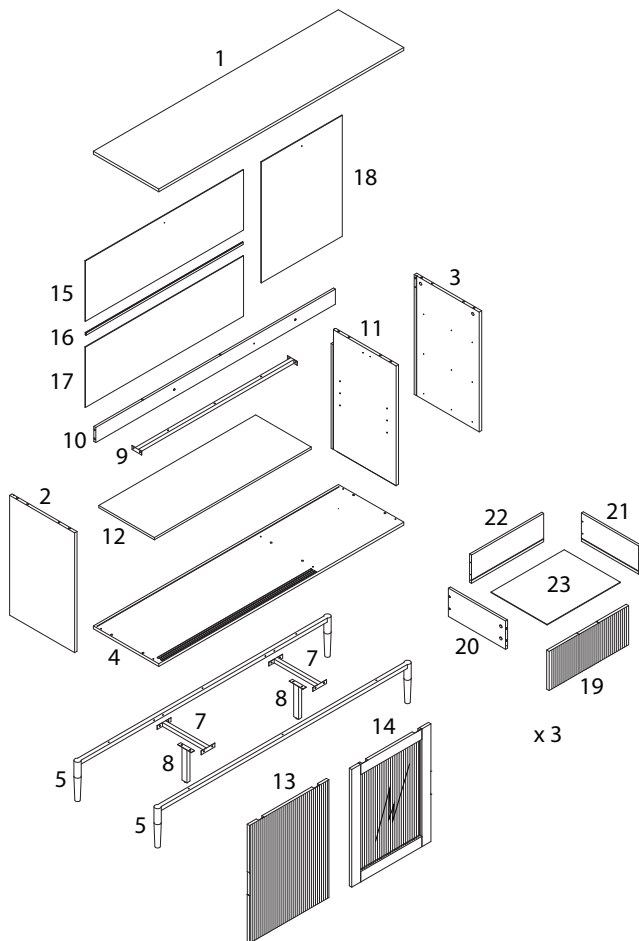


1/22



2/22

2619/LEDUC/200126/







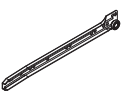
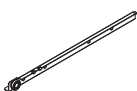
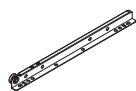



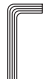






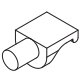



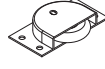

3/22

1 x 1	2 x 1	3 x 1	4 x 1	
5 x 2	7 x 2	8 x 2	9 x 1	
10 x 1	11 x 1	12 x 1	13 x 1	
14 x 1	15 x 1	16 x 1	17 x 1	18 x 1
19 x 3	20 x 3	21 x 3	22 x 3	23 x 3

4/22

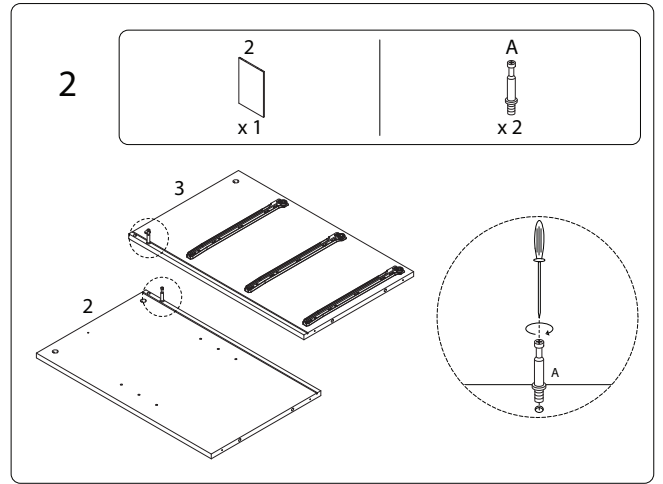
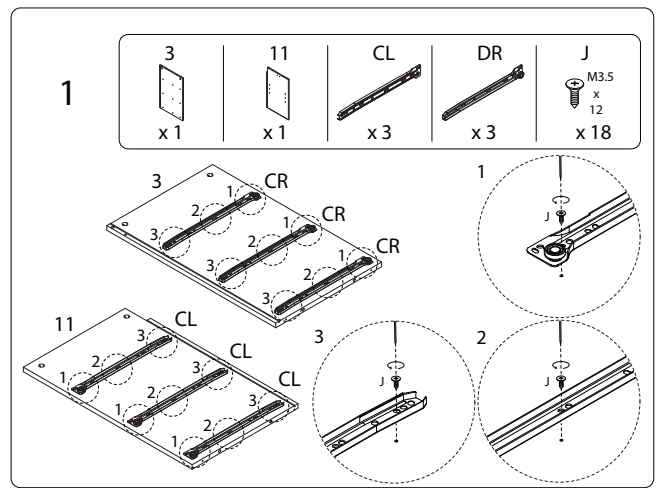
2619/LEDUC/200126/

2619/LEDUC/200126/

<b>A</b>  x 20	<b>B</b>  x 20	<b>C</b>  x 16	<b>CL</b>  x 3	
<b>CR</b>  x 3	<b>DL</b>  x 3	<b>DR</b>  x 3	<b>D</b>  M4 x 35 x 19	
<b>E</b>  M6 x 12 x 12	<b>F</b>  M6 x 30 x 6	<b>G</b>  x 1	<b>H1</b>  x 5	<b>H2</b>  M3 x 12 x 10
<b>I1</b>  x 16	<b>I2</b>  M3 x 14 x 16	<b>J</b>  M3.5 x 12 x 66	<b>K</b>  M6 x 30 x 3	<b>L</b>  x 4
<b>M1</b>  x 2	<b>M2</b>  M3.5 x 40 x 2	<b>N</b>  x 4	<b>O</b>  x 4	<b>P</b>  x 1

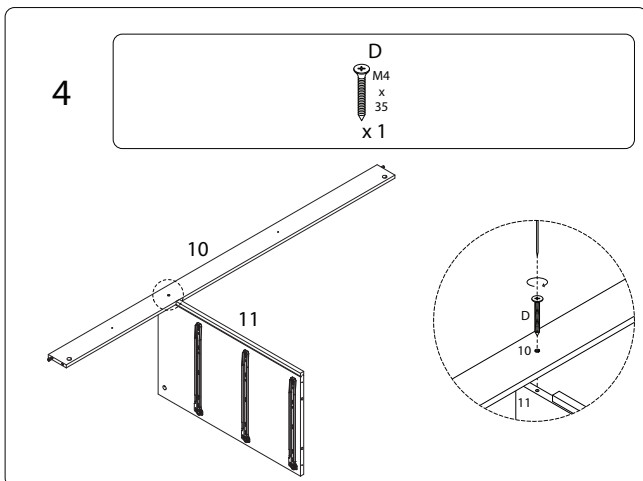
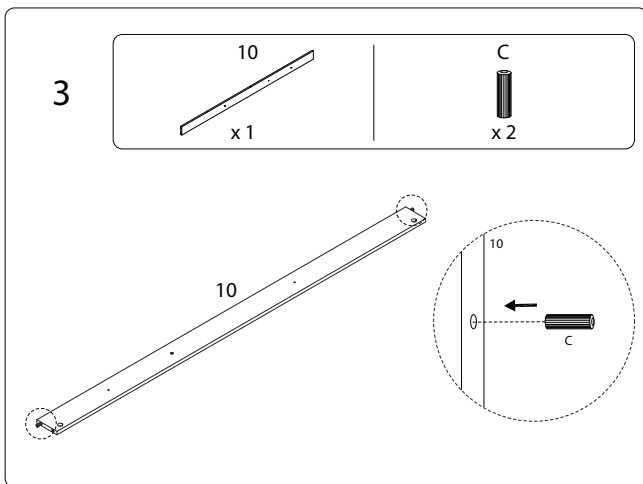
5/22

2619/LEDUC/200126/



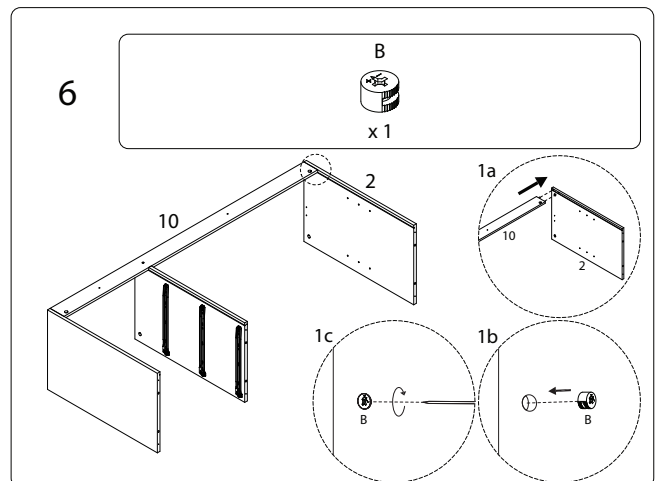
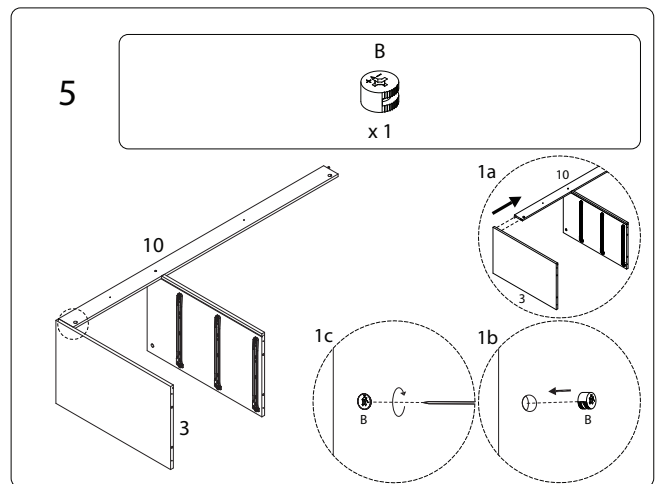
6/22

2619/LEDUC/200126/



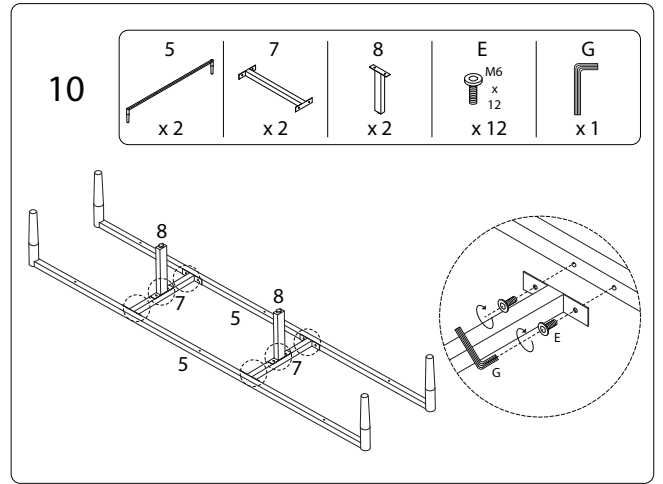
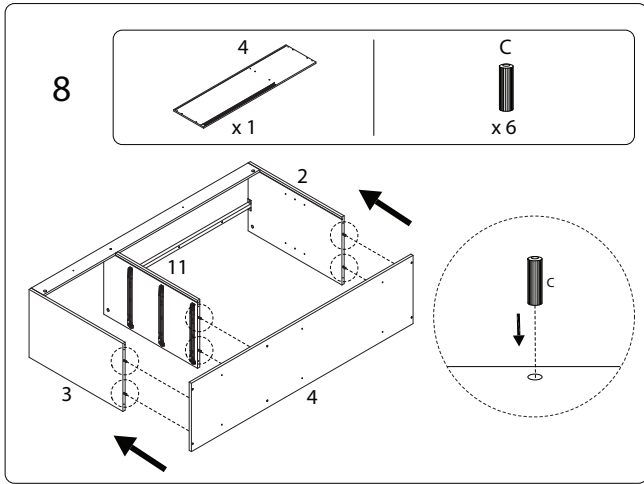
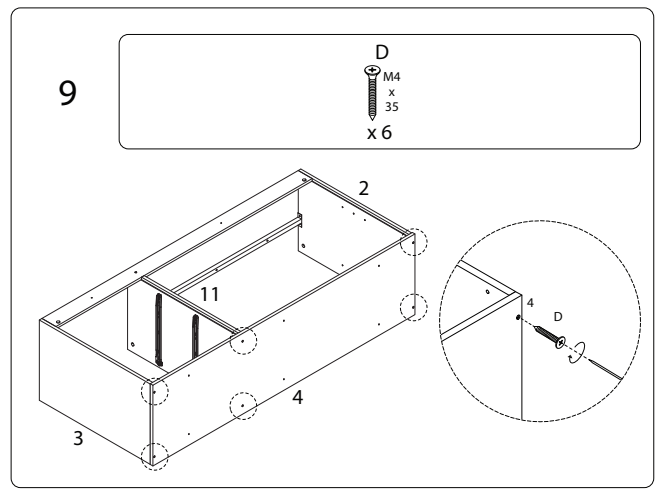
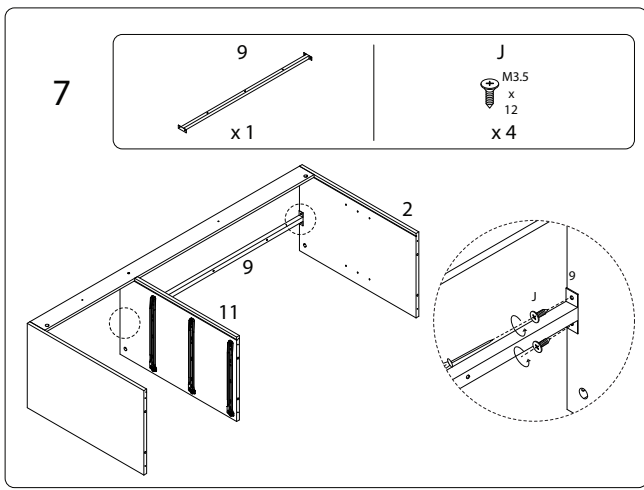
7/22

2619/LEDUC/200126/



8/22

2619/LEDUC/200126/

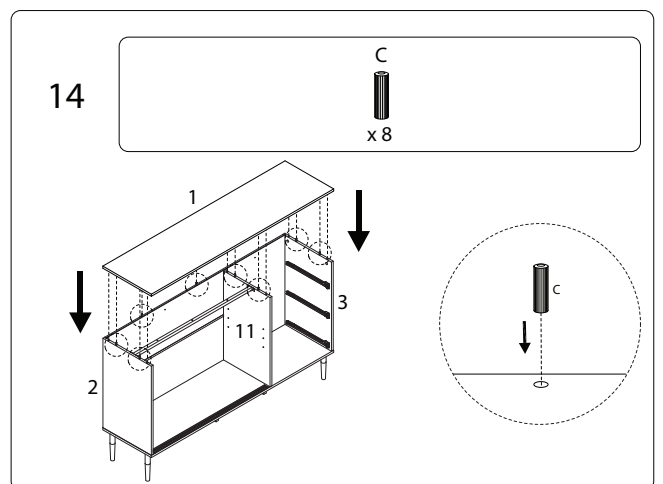
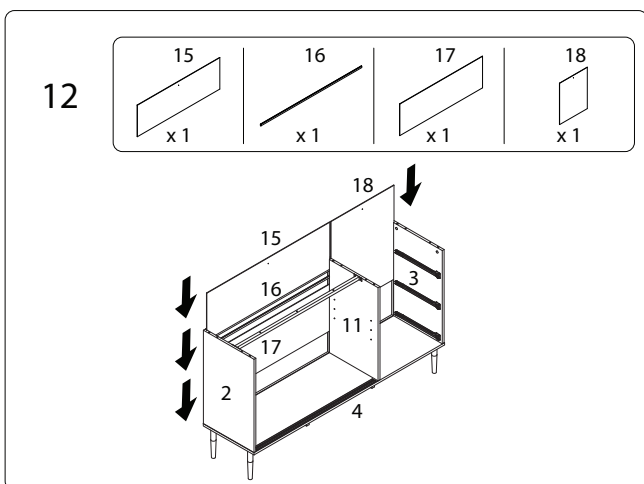
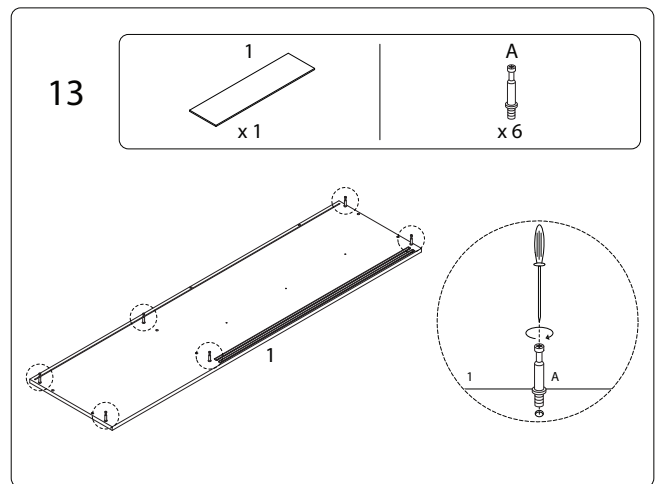
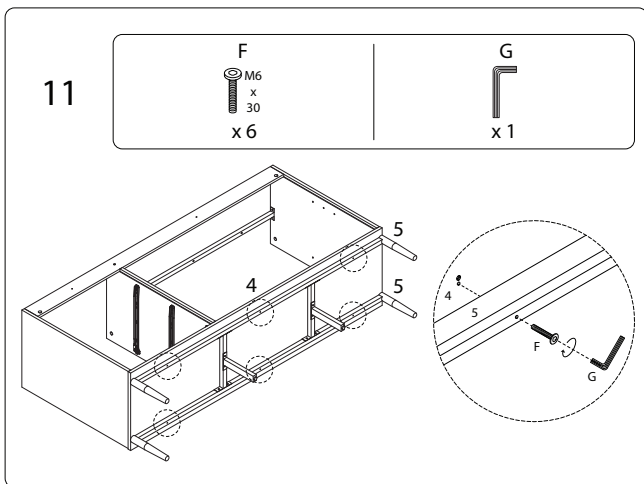


9/22

2619/LEEDUC/200126/

10/22

2619/LEEDUC/200126/

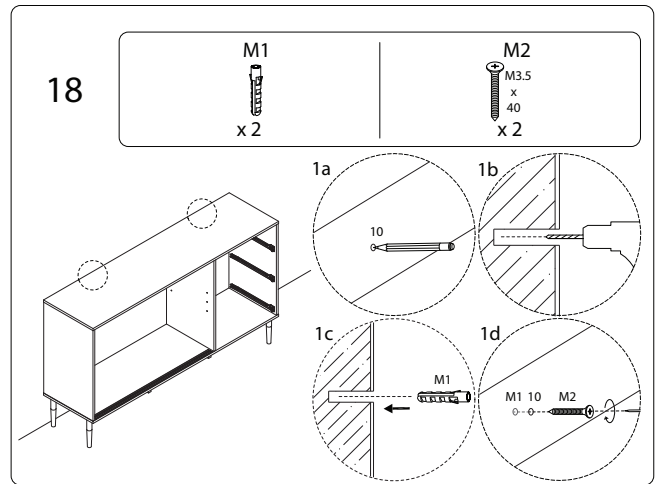
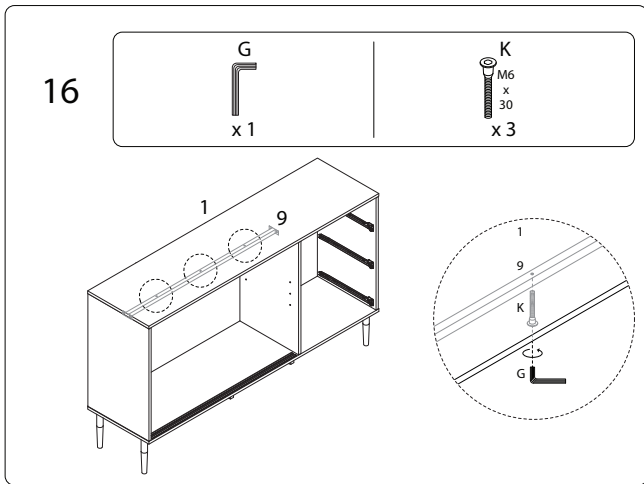
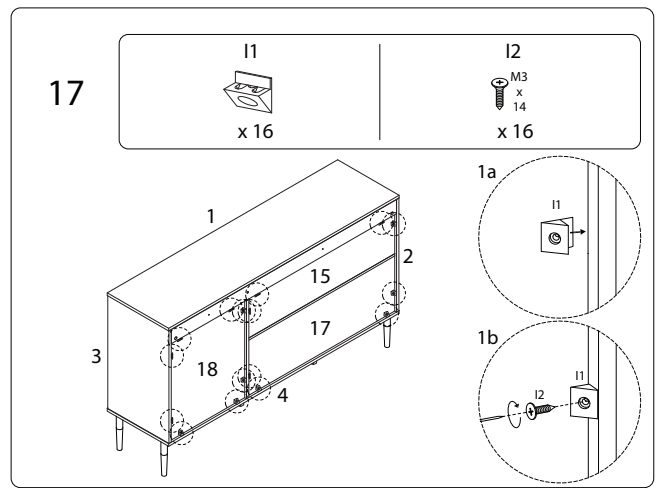
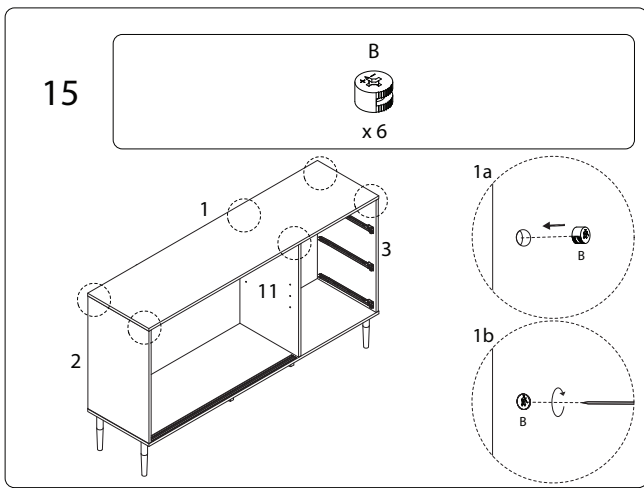


11/22

2619/LEEDUC/200126/

12/22

2619/LEEDUC/200126/

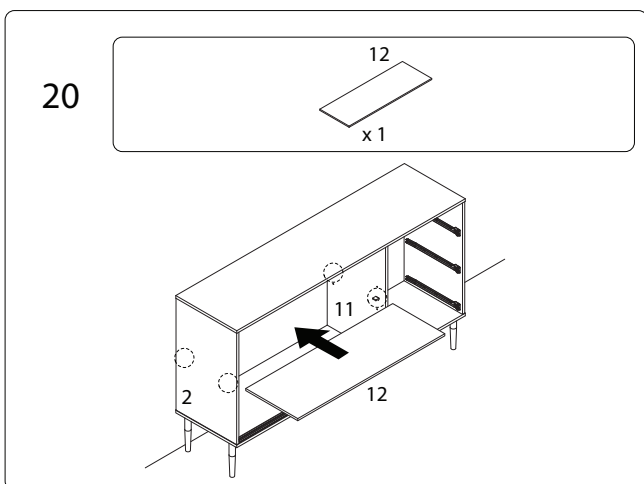
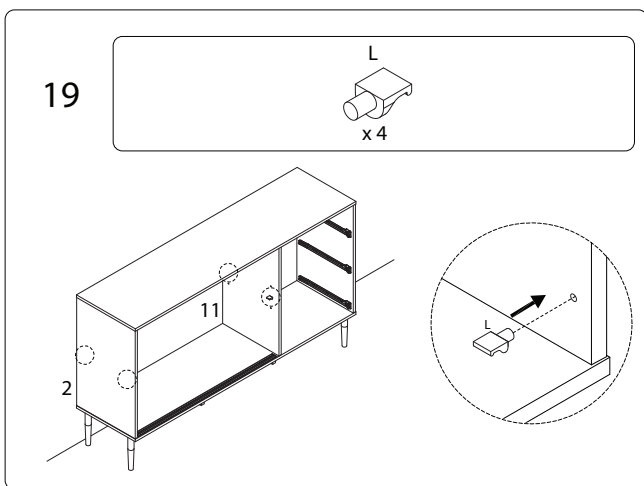


13/22

2619/LEEDUC/200126/

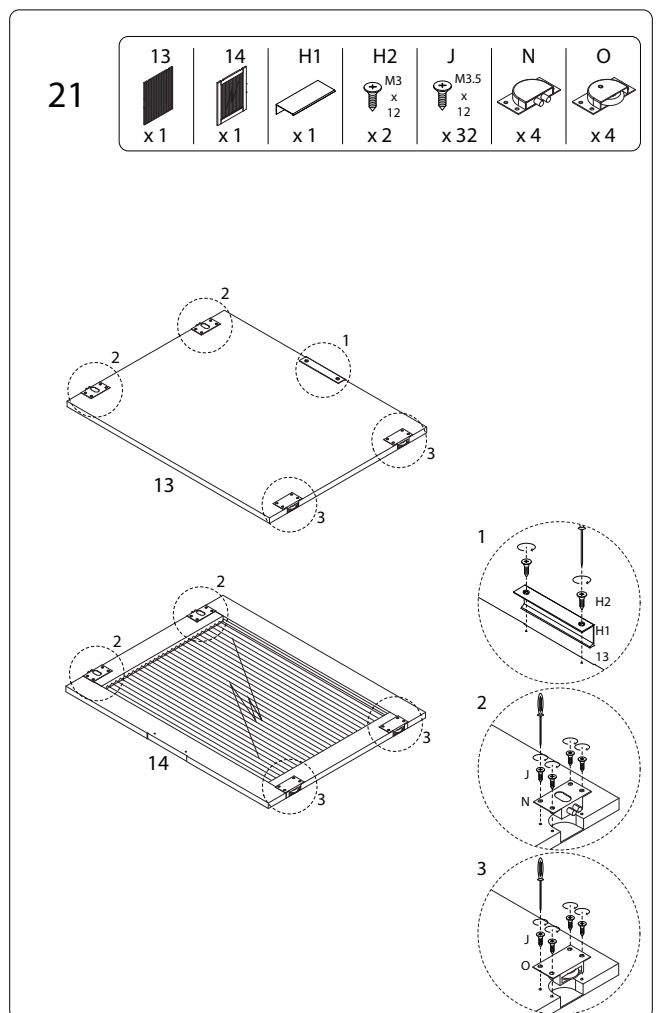
14/22

2619/LEEDUC/200126/



15/22

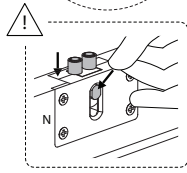
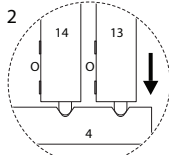
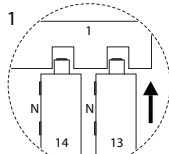
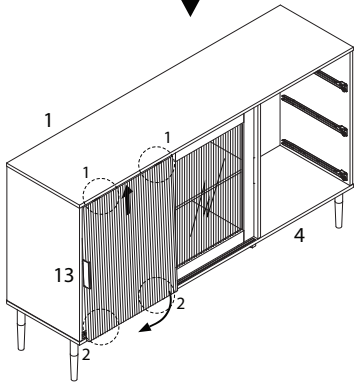
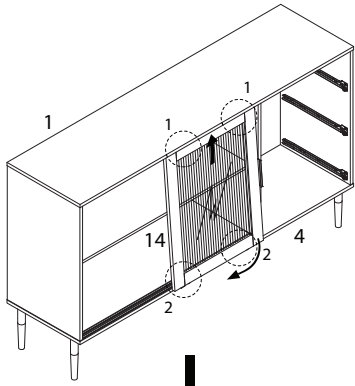
2619/LEEDUC/200126/



16/22

2619/LEEDUC/200126/

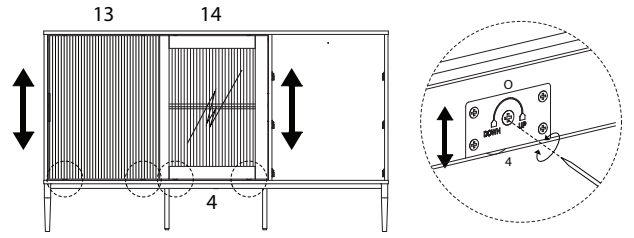
22



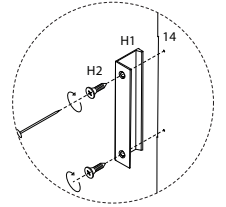
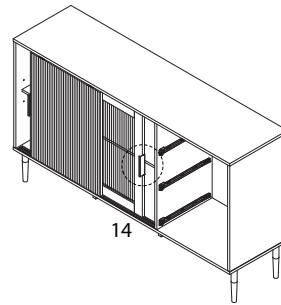
17/22

2619/LEEDUC/200126/

!



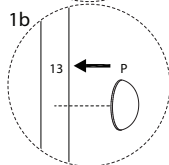
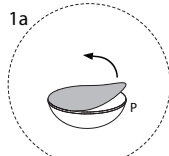
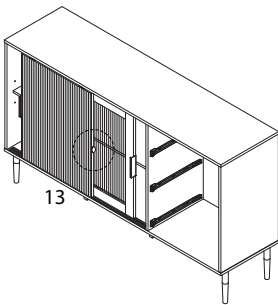
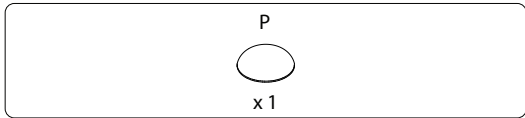
23



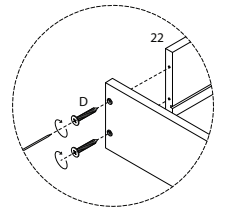
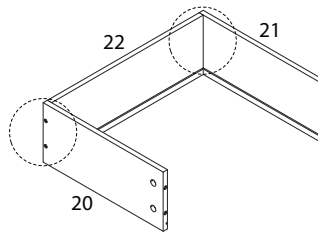
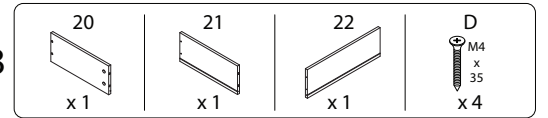
18/22

2619/LEEDUC/200126/

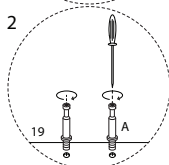
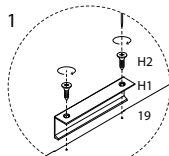
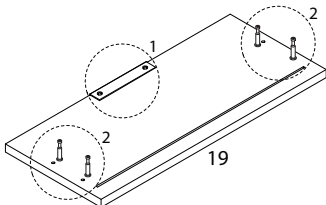
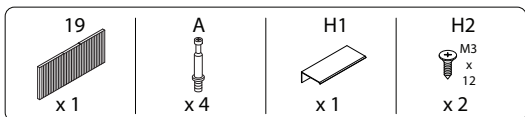
24



26 x 3



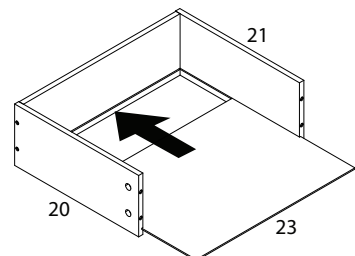
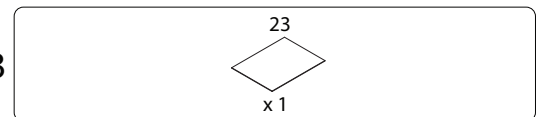
25 x 3



19/22

2619/LEEDUC/200126/

27 x 3

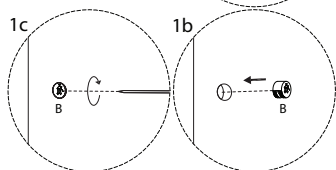
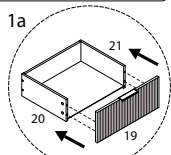
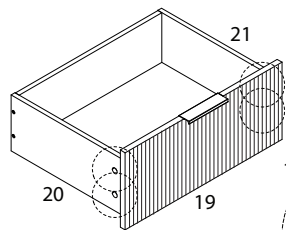


20/22

2619/LEEDUC/200126/

28 x 3

B  
x 4

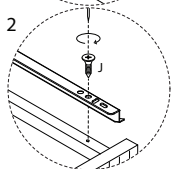
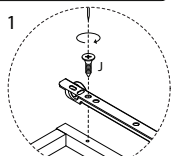
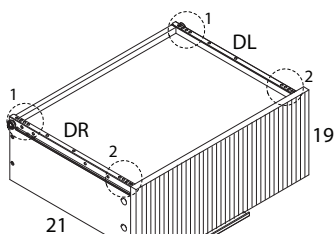


29 x 3

DL  
x 1

DR  
x 1

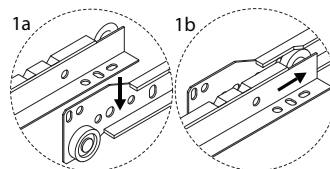
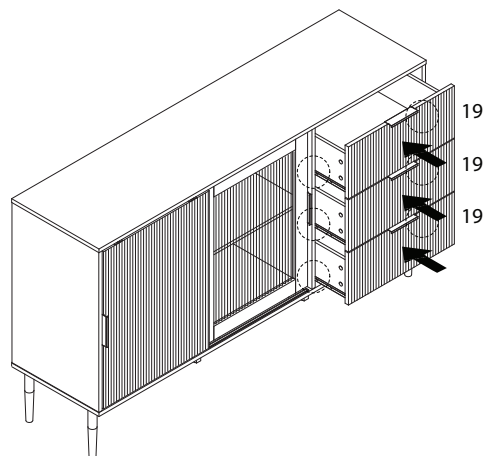
J  
M3.5  
x 12  
x 4



21/22

2619/LEEDUC/200126/

30



22/22

2619/LEEDUC/200126/