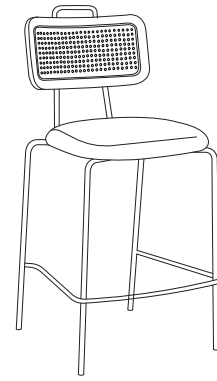
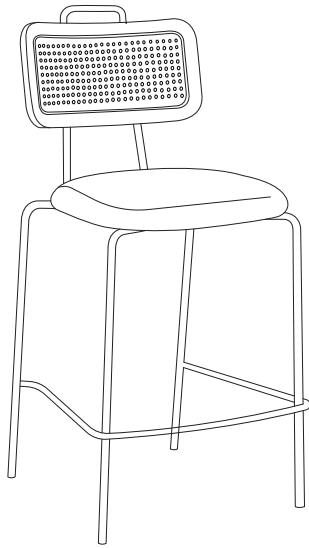
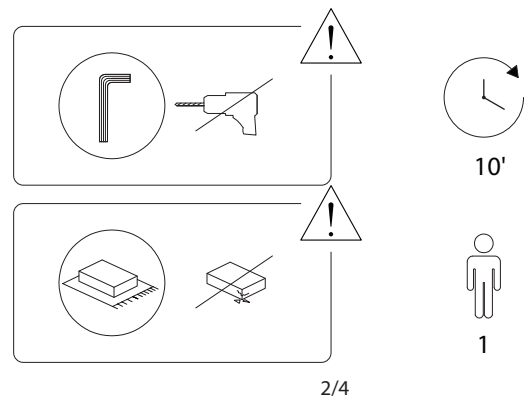


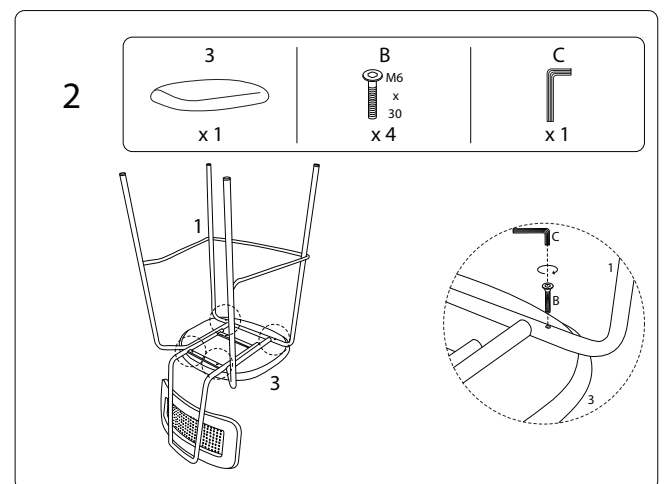
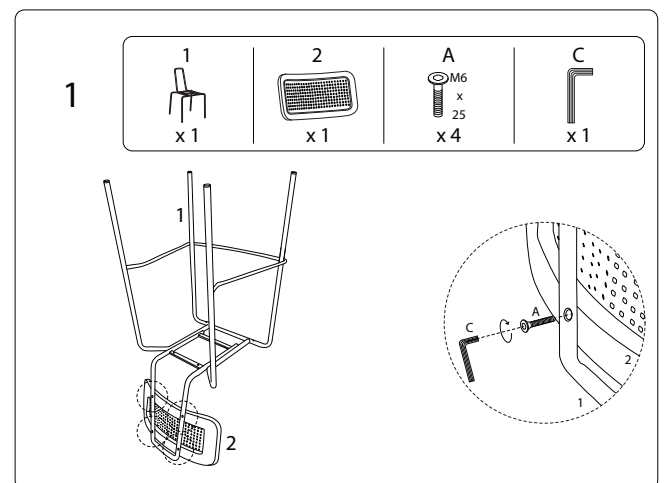
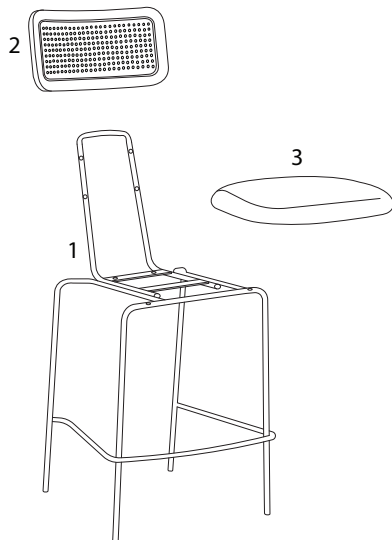
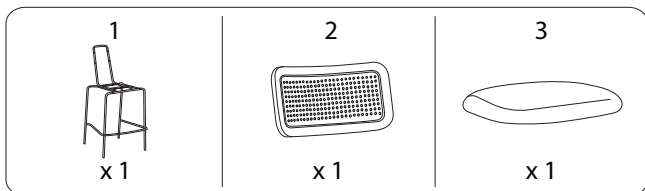
ADELANTO



1/4



2/4



3/4

4/4