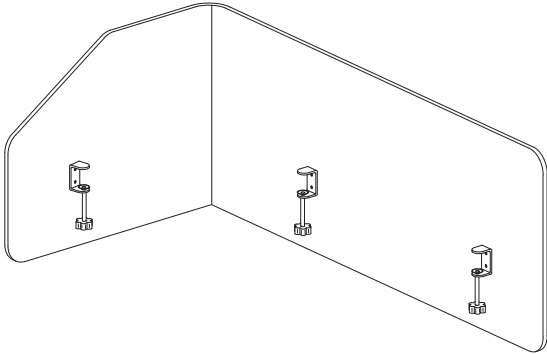
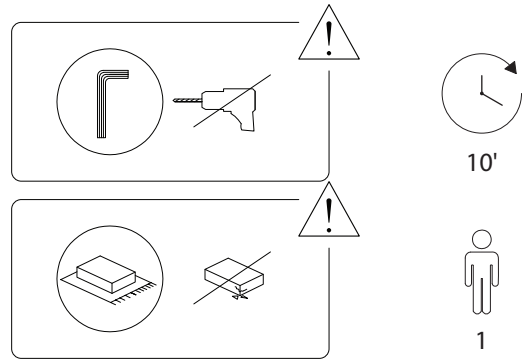
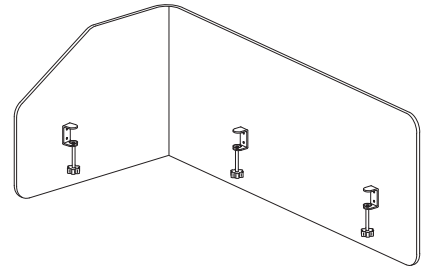


FOLDY

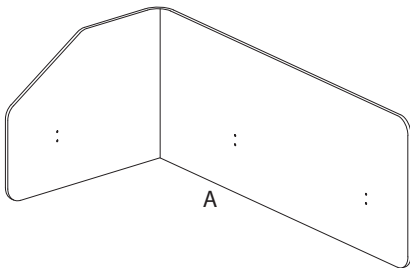
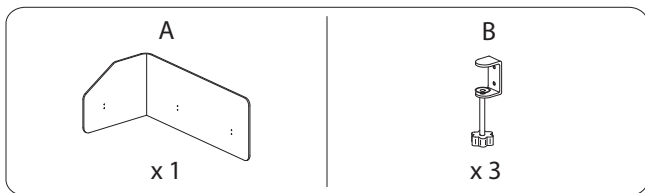


1/5

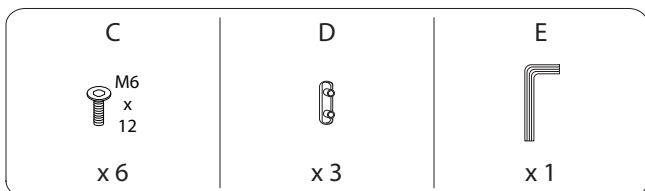


2/5

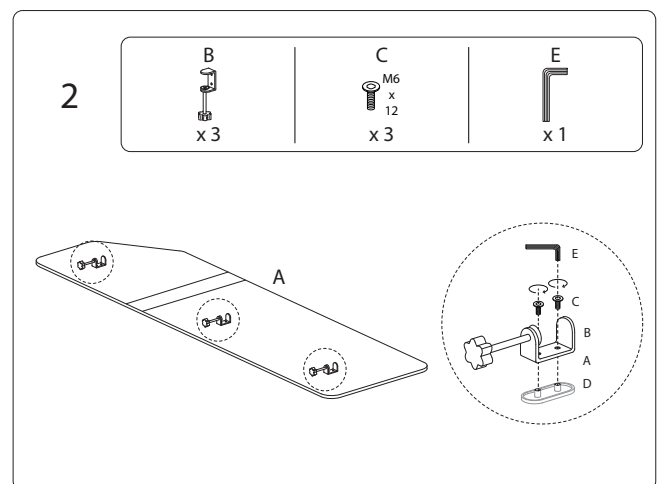
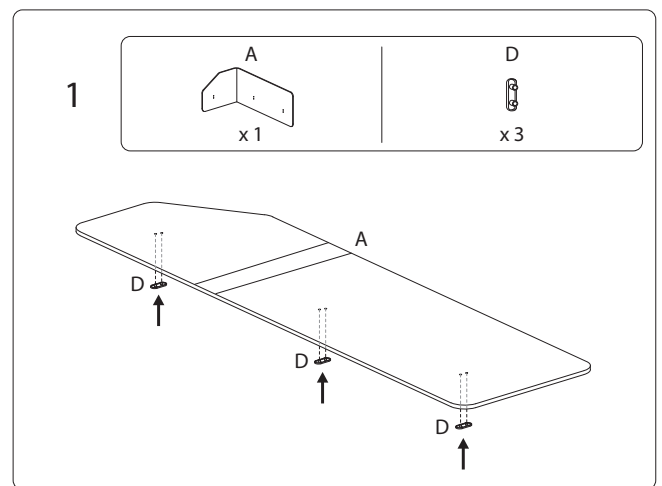
1620/FOLDY/060226/



B x 3



3/5



4/5

1620/FOLDY/060226/

1620/FOLDY/060226/

