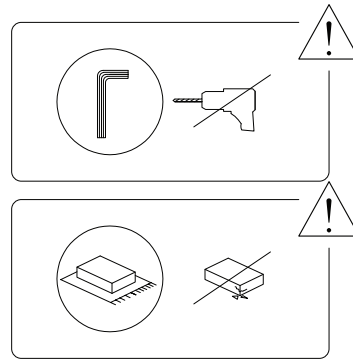


MILES

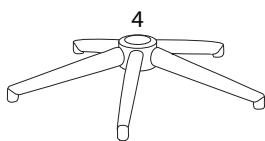
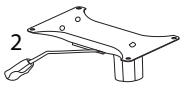
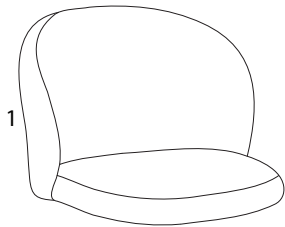


1/7


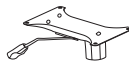

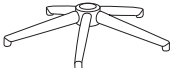

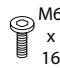
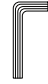
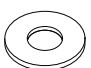


2/7

2763/MILES/120326



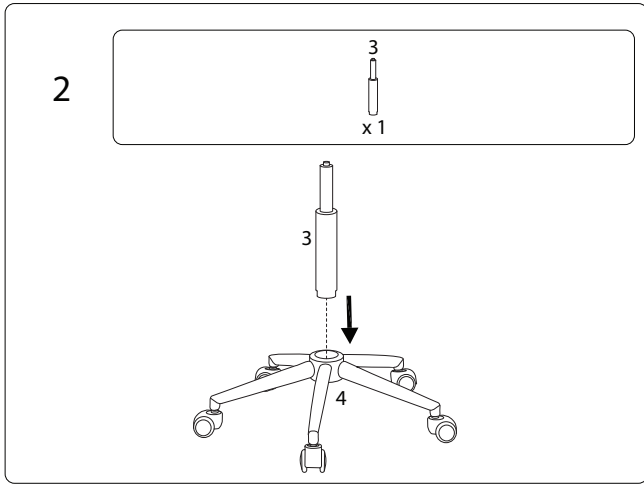
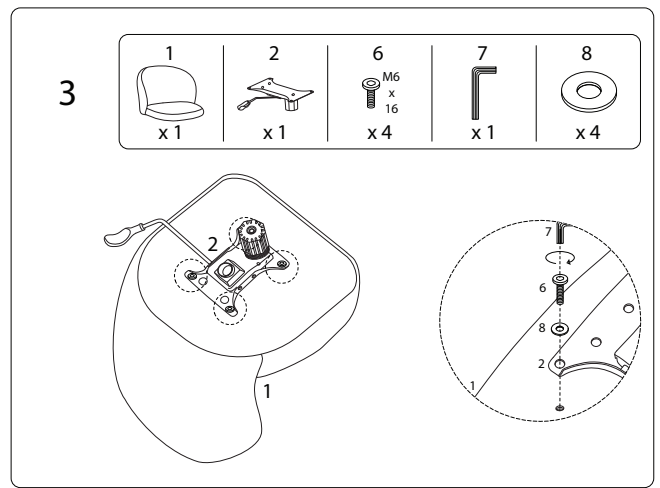
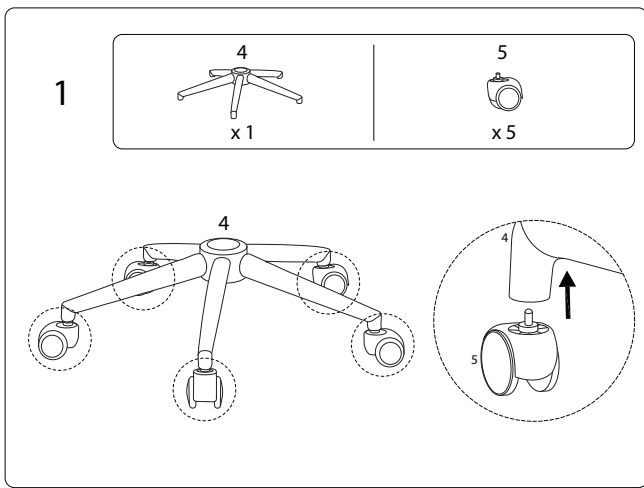
3/7

<p>1</p>  <p>x 1</p>	<p>2</p>  <p>x 1</p>	<p>3</p>  <p>x 1</p>
<p>4</p>  <p>x 1</p>	<p>5</p>  <p>x 5</p>	<p>6</p>  <p>x 4</p>
<p>7</p>  <p>x 1</p>	<p>8</p>  <p>x 4</p>	

4/7

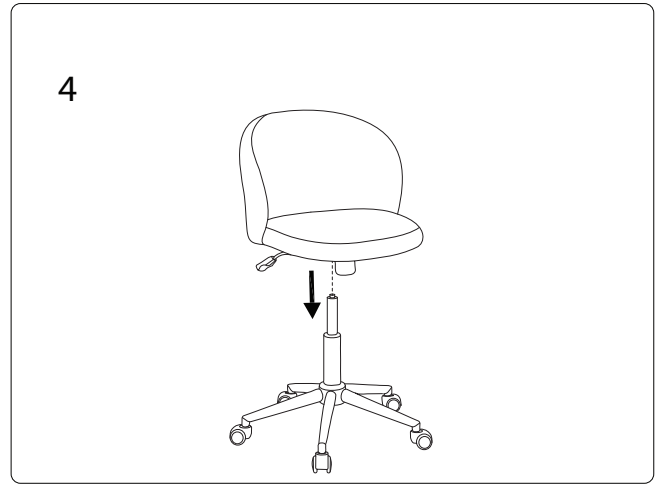
2763/MILES/120326

2763/MILES/120326



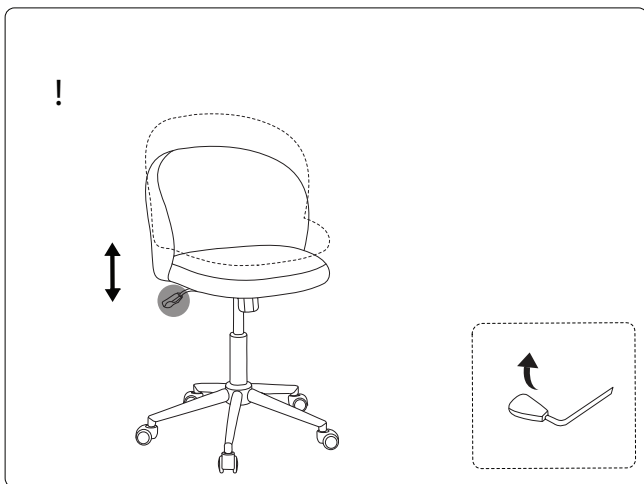
5/7

2763/MILES/120326



6/7

2763/MILES/120326



7/7

2763/MILES/120326