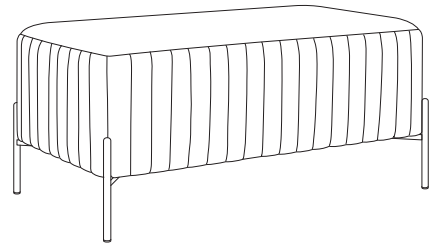
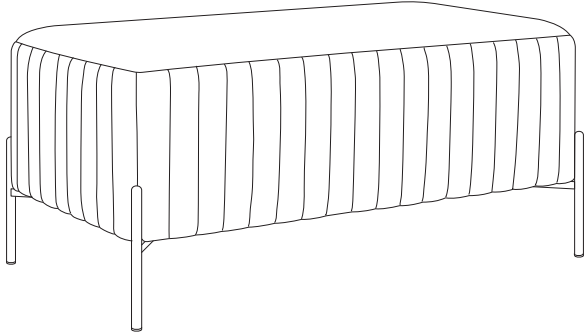


UTAH

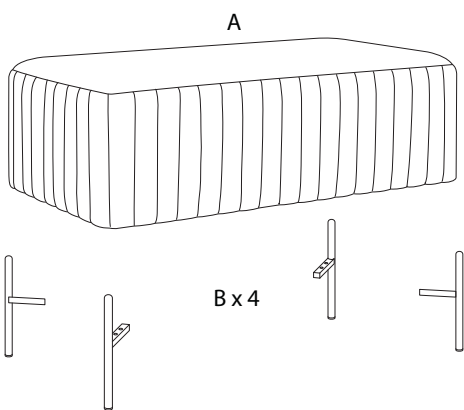


1/4

10'

1

439/UTAH/120326/



!

A	B	C	D
x 1	x 4	x 8	x 1

3/4

2

A	B	C	D
x 1	x 4	x 8	x 1

4/4

439/UTAH/120326/

439/UTAH/120326/