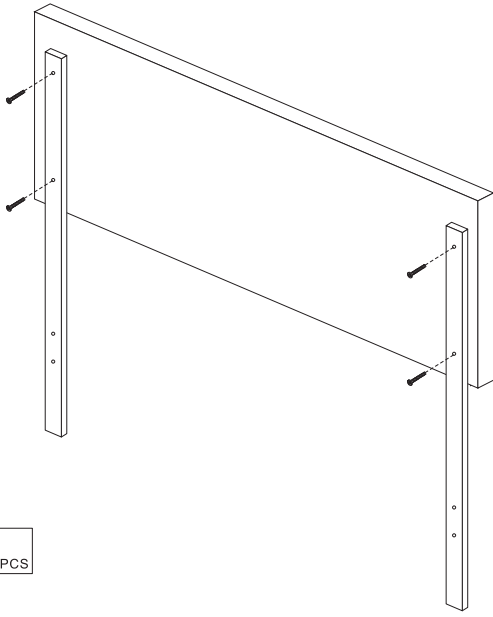



ASSEMBLY INSTRUCTIONS



 M6x25 x4PCS