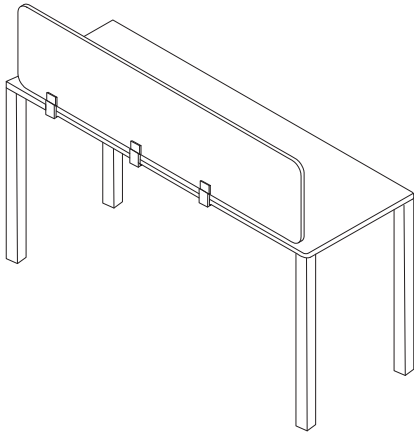
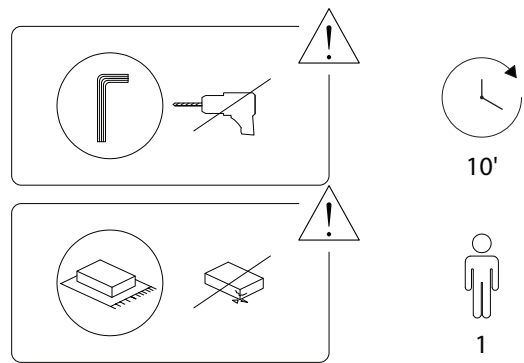
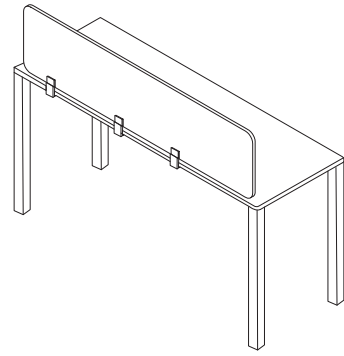


SPLIT

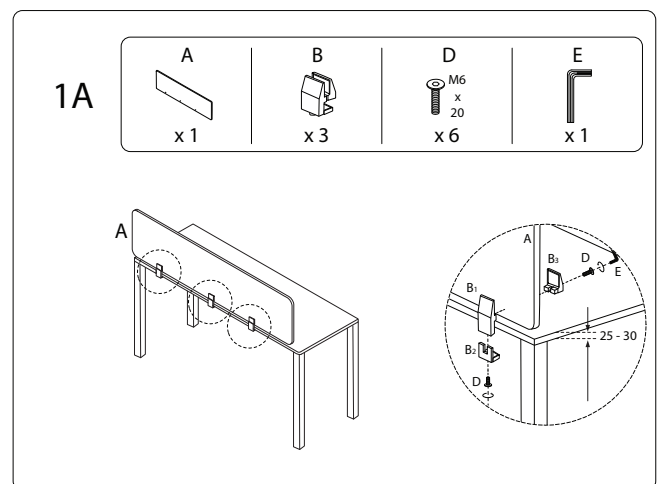
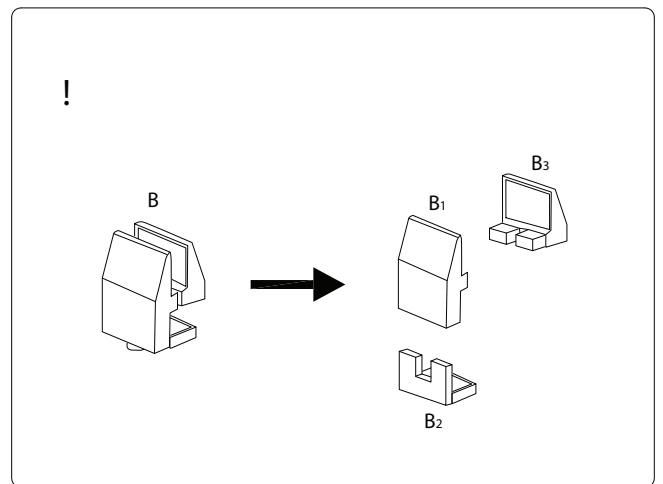
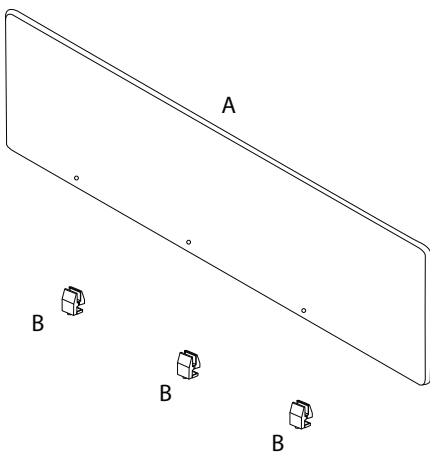


1/5



2/5

1620/SPLIT/1.702.26/



A	B	C	D	E
x 1	x 3	x 3	x 6	x 1






3/5

4/5

1620/SPLIT/1.702.26/

1620/SPLIT/1.702.26/

1B

 A x 1	 B x 3	 C M6 x 30 x 3	 D M6 x 20 x 3	 E x 1
---	---	--	--	---

