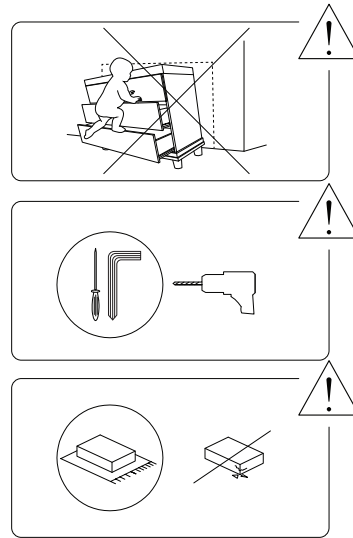
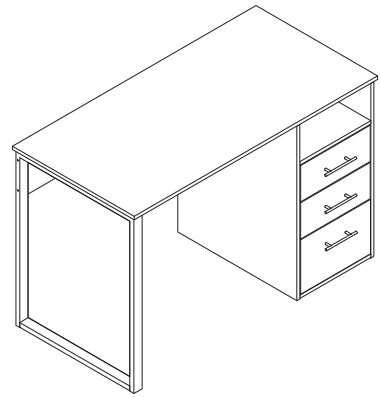
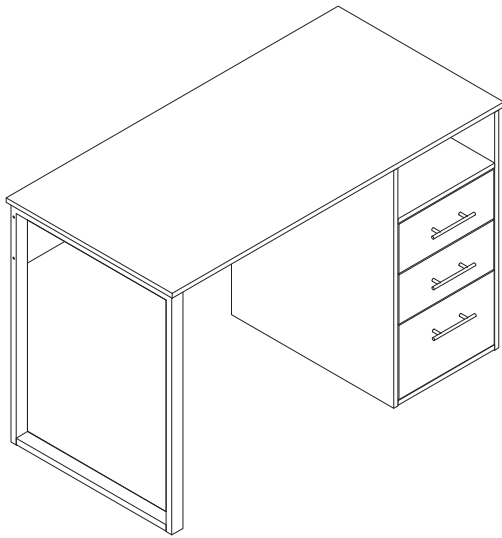
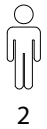


ZERLAY



60'

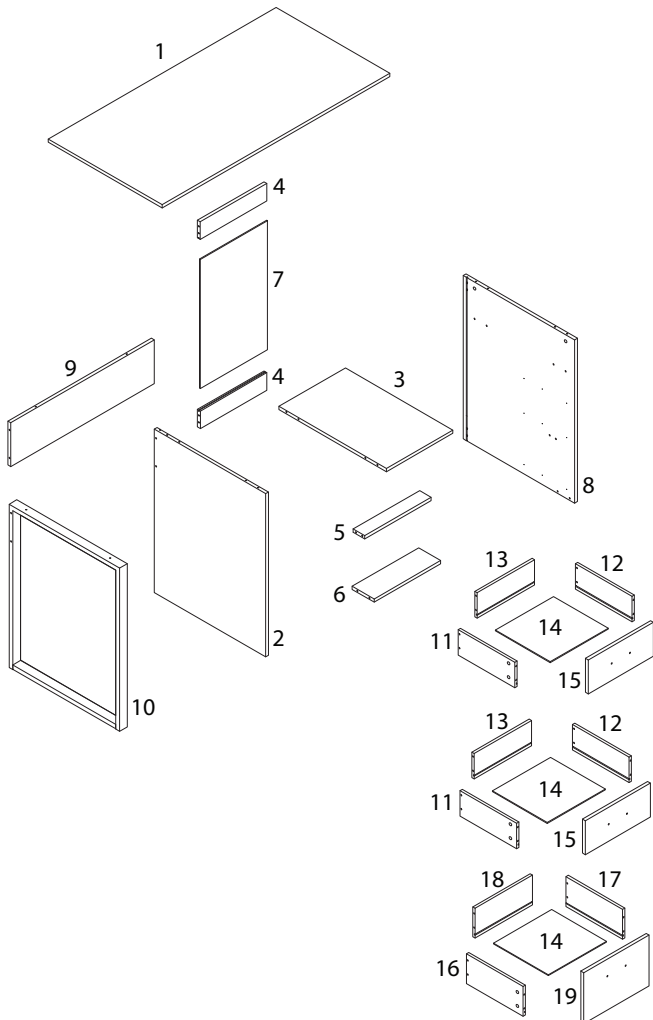


2

1/19

2/19

2696/ZERLAY/050526/






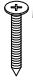


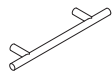
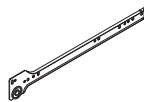
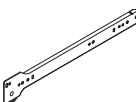
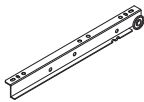
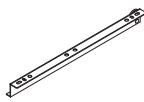

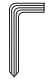










1 x 1	2 x 1	3 x 1	4 x 2
5 x 1	6 x 1	7 x 1	8 x 1
9 x 1	10 x 1	11 x 2	12 x 2
13 x 2	14 x 3	15 x 2	16 x 1
17 x 1	18 x 1	19 x 1	

3/19

4/19

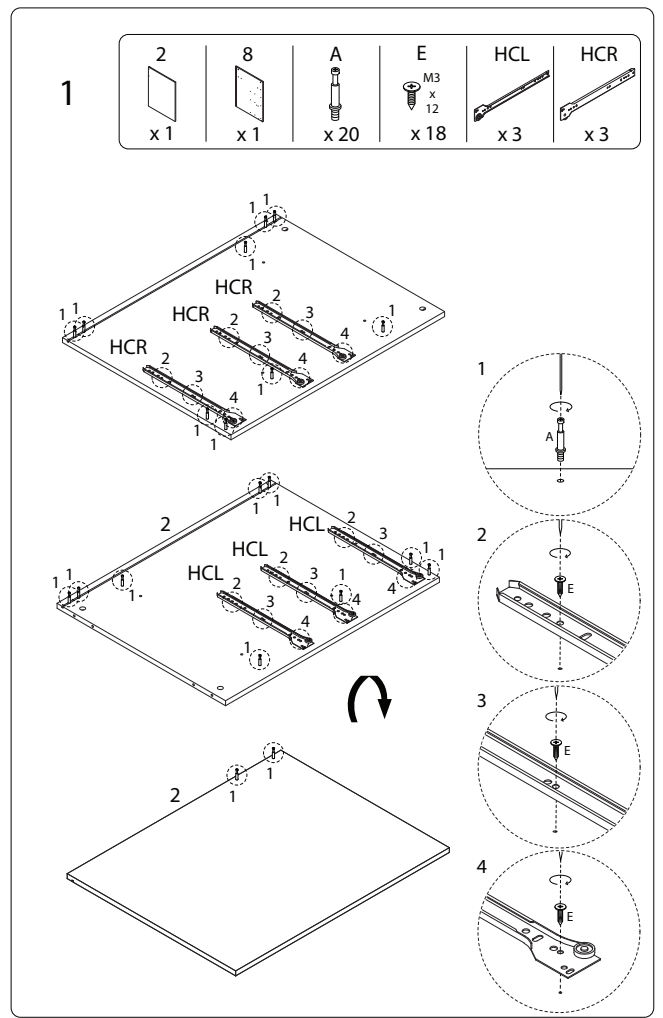
2696/ZERLAY/050526/

2696/ZERLAY/050526/

A  x 38	B  x 38	C  x 10	D  x 13
E  x 36	F  x 6	G  x 3	HCL  x 3
HCR  x 3	HDL  x 3	HDR  x 3	I  x 2
J  x 1	K  x 2	L  x 2	M  x 4
N1  x 1	N2  x 1	N3  x 1	O  x 2
N3  x 1	P  x 4	Q  x 6	

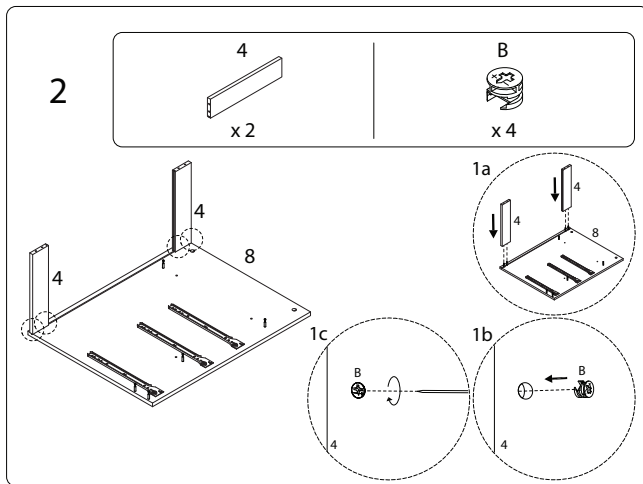
5/19

2696/ZERL.AY/0505/26/



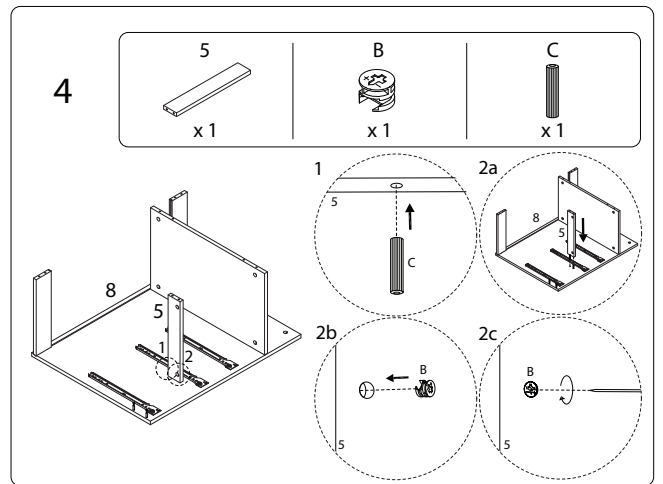
6/19

2696/ZERL.AY/0505/26/



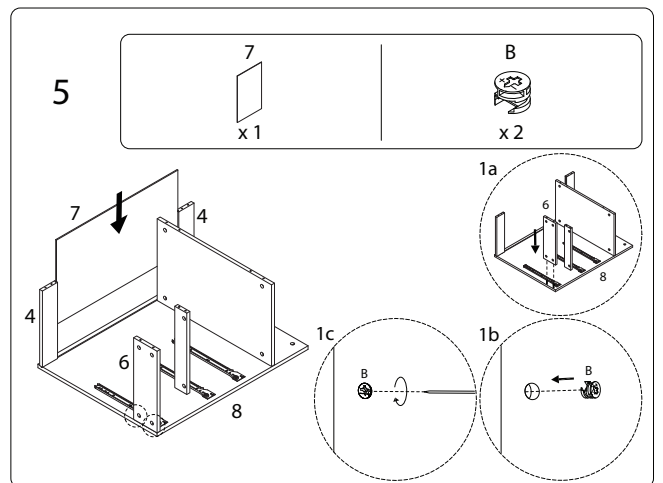
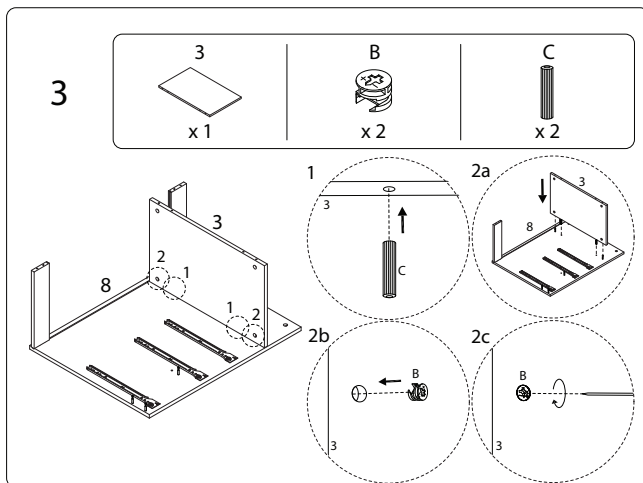
7/19

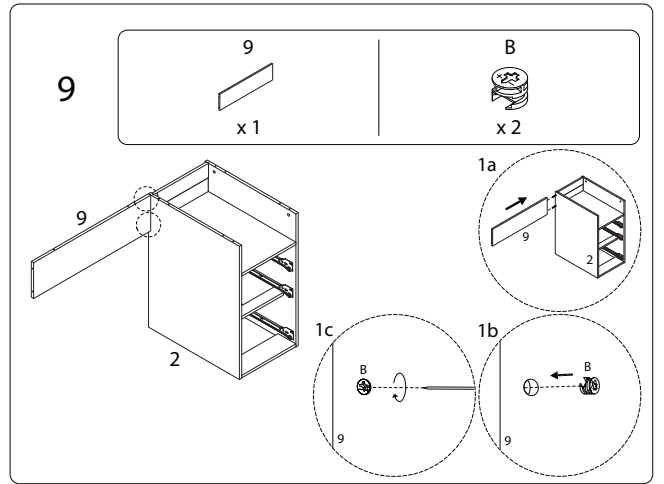
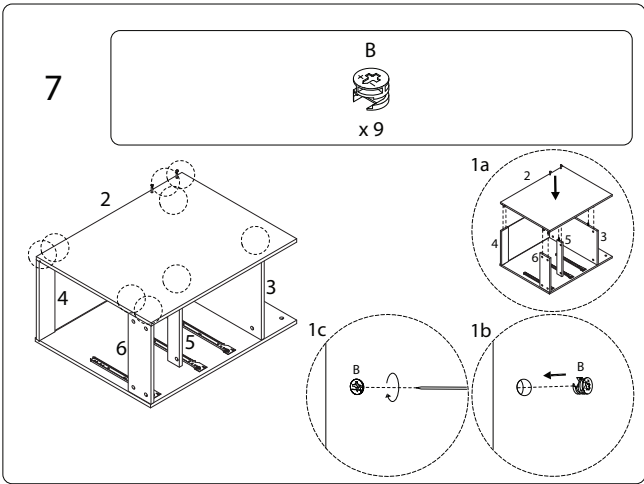
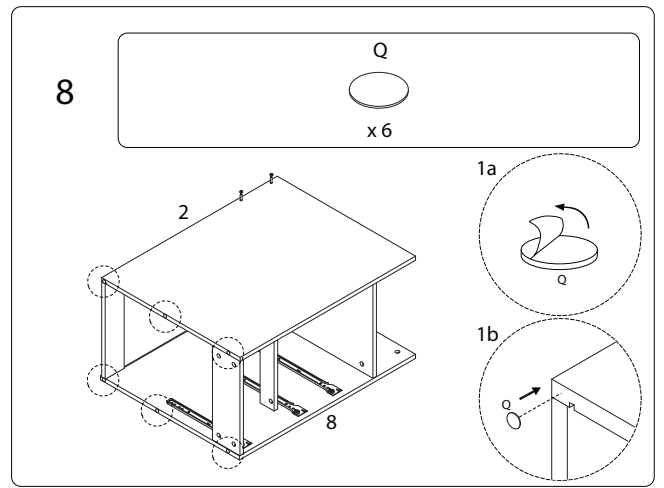
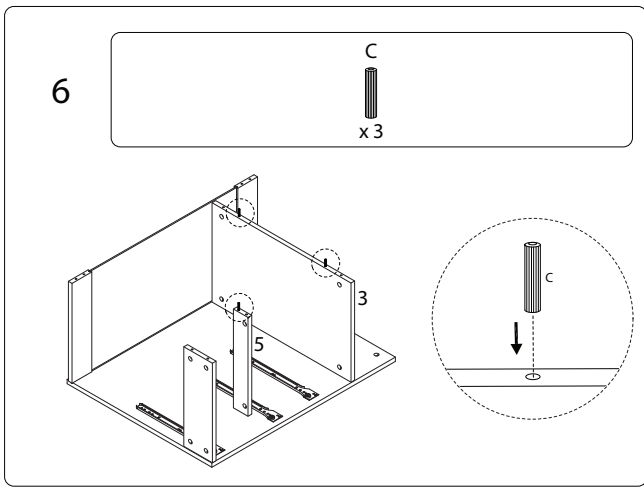
2696/ZERL.AY/0505/26/



8/19

2696/ZERL.AY/0505/26/



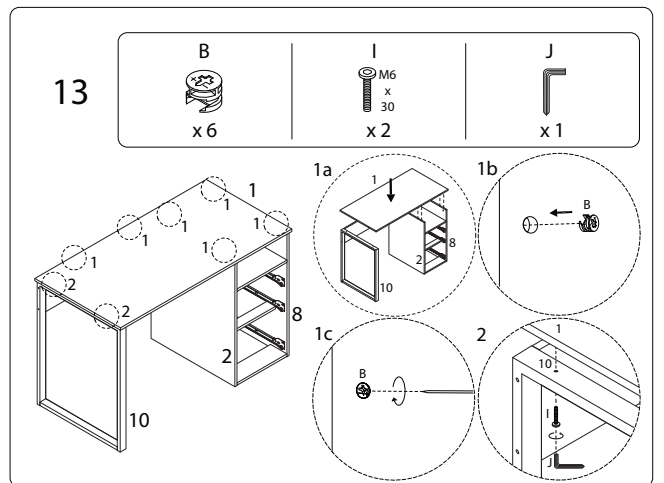
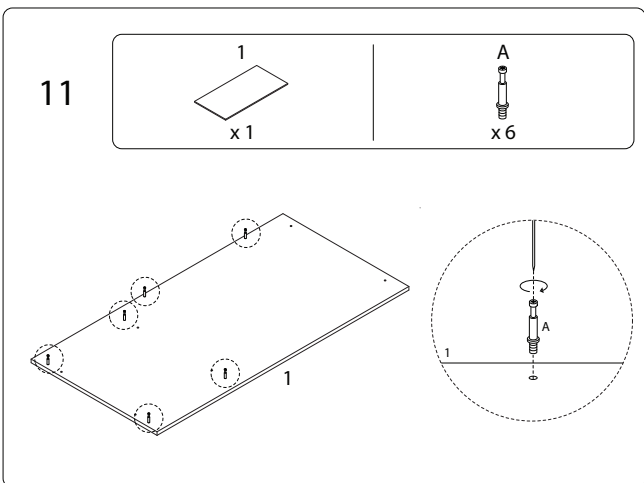
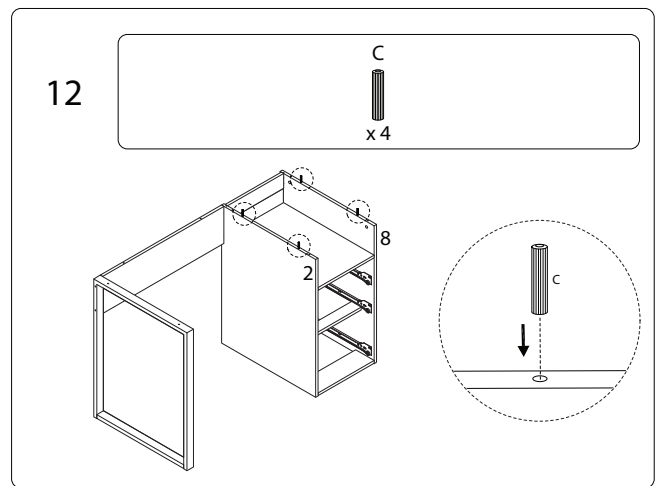
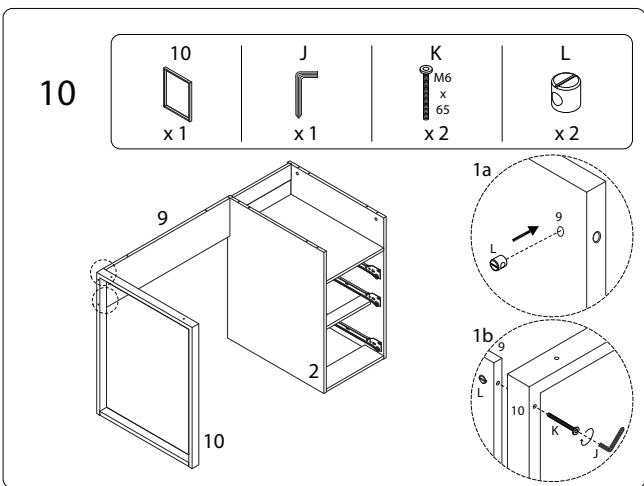


9/19

2696/ZERL.AY/0505/26/

10/19

2696/ZERL.AY/0505/26/

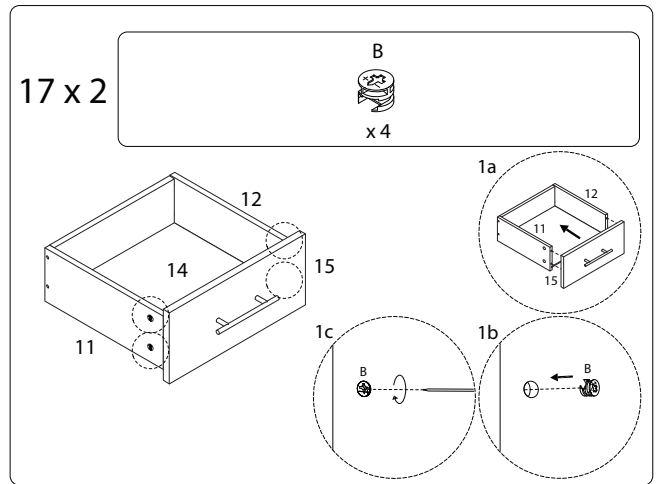
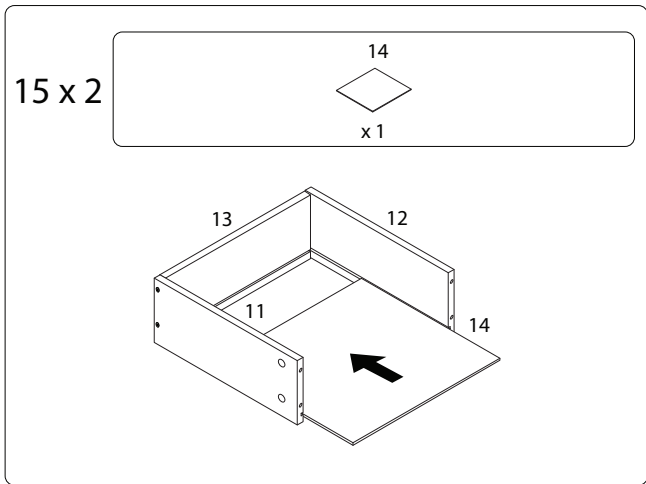
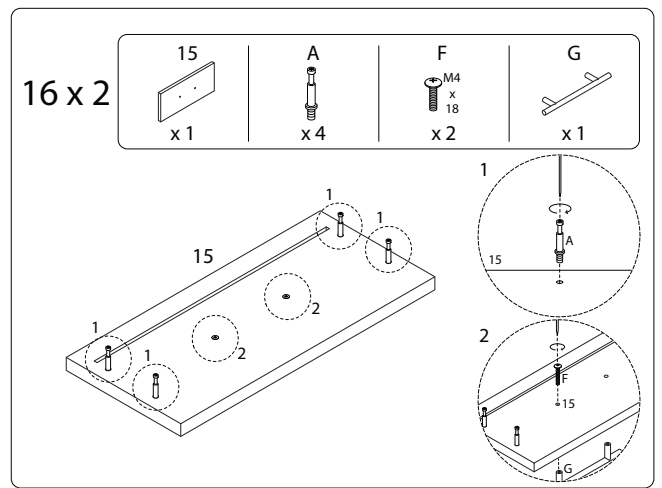
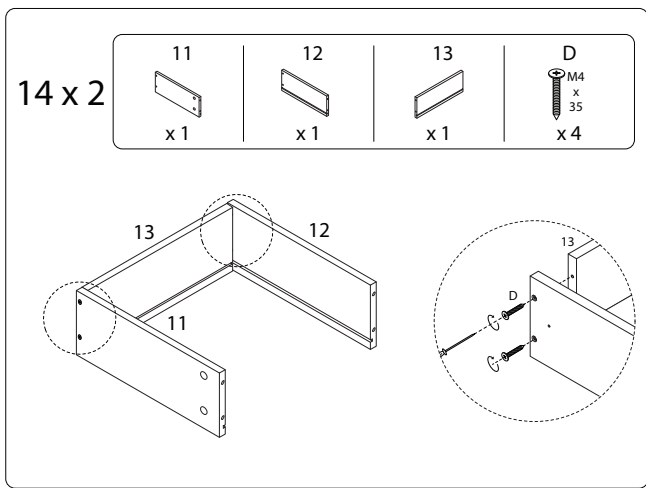


11/19

2696/ZERL.AY/0505/26/

12/19

2696/ZERL.AY/0505/26/

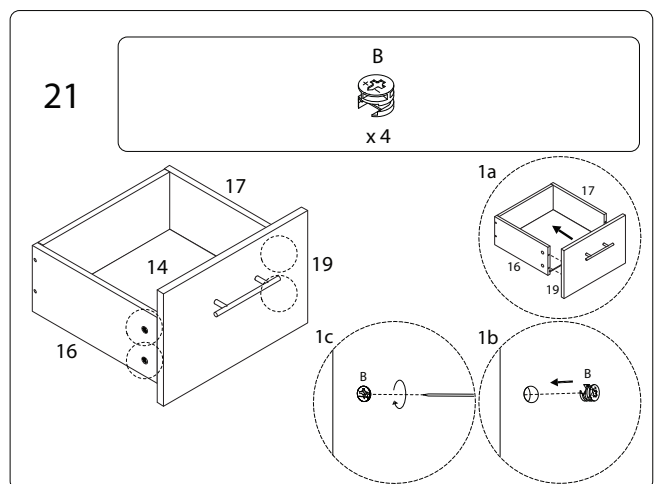
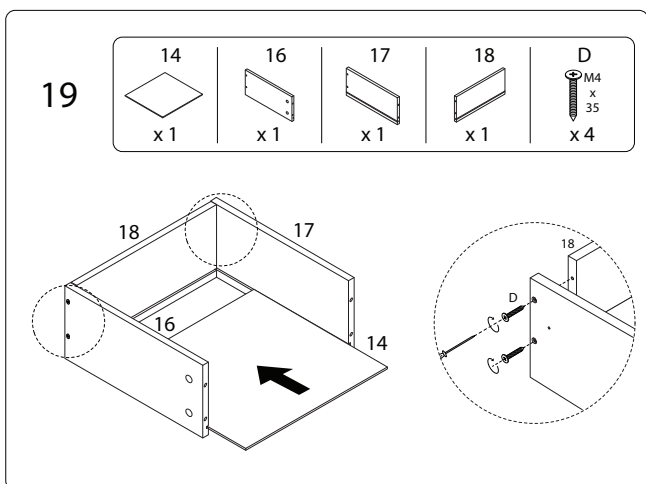
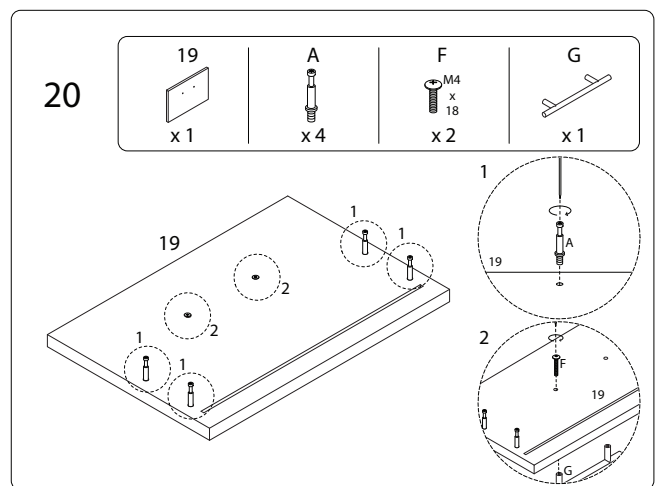
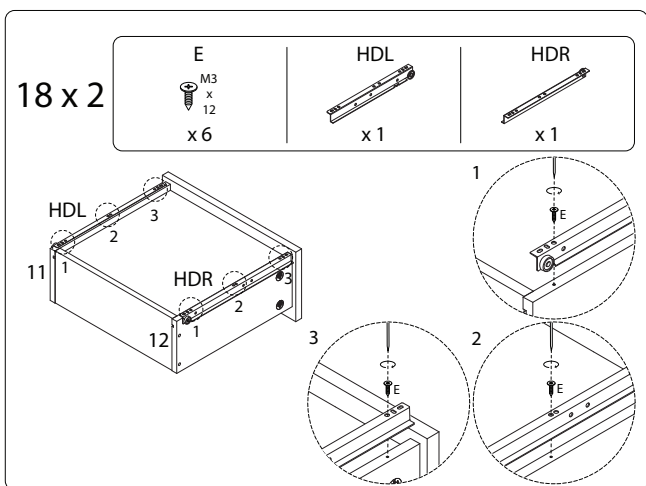


13/19

2696/ZERL.AY/050526/

14/19

2696/ZERL.AY/050526/

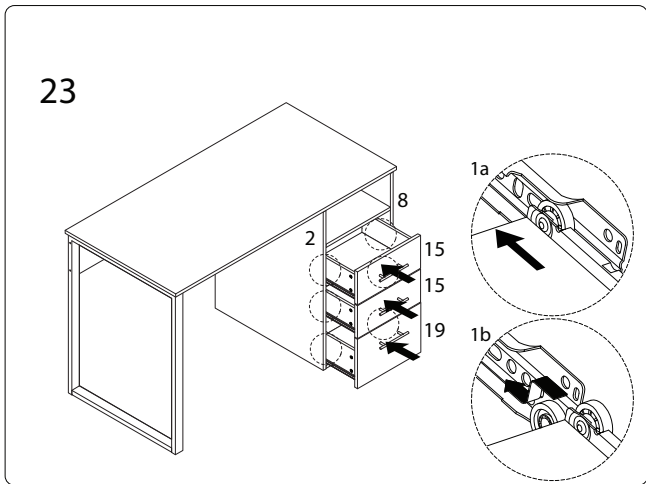
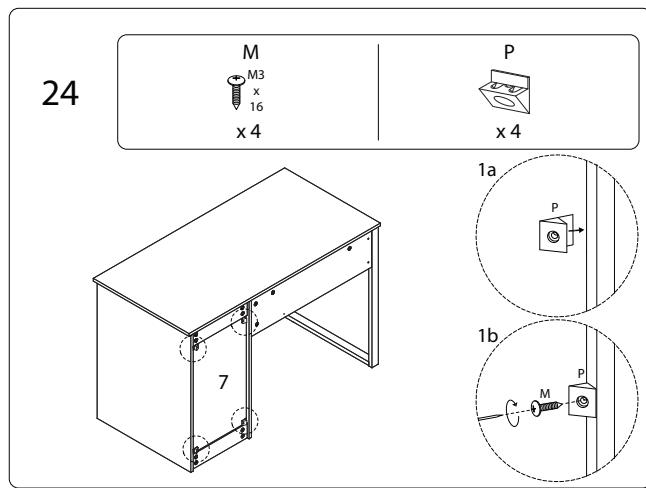
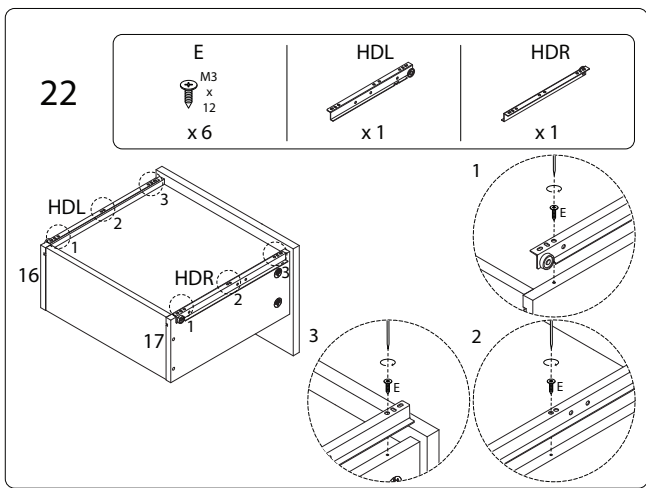


15/19

2696/ZERL.AY/050526/

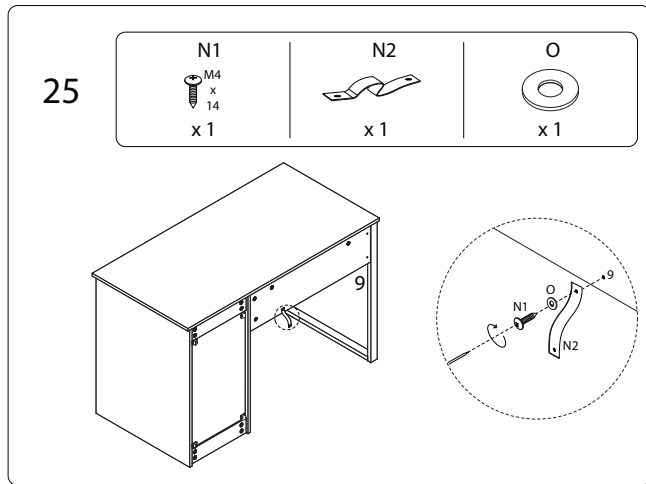
16/19

2696/ZERL.AY/050526/



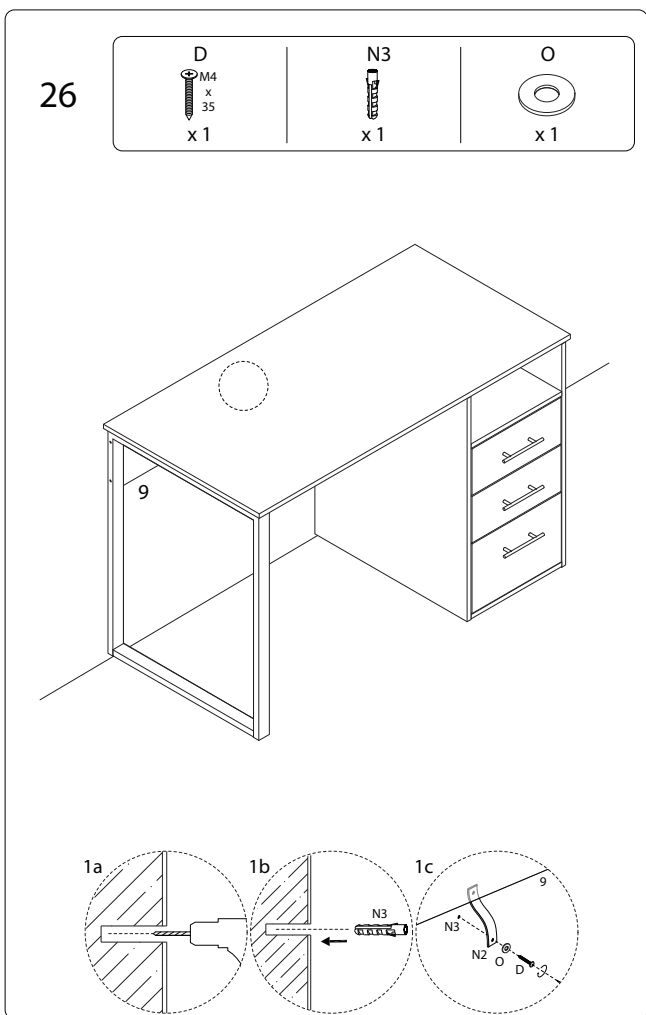
17/19

2696/ZERL.AY/0505/26/



18/19

2696/ZERL.AY/0505/26/



19/19

2696/ZERL.AY/0505/26/