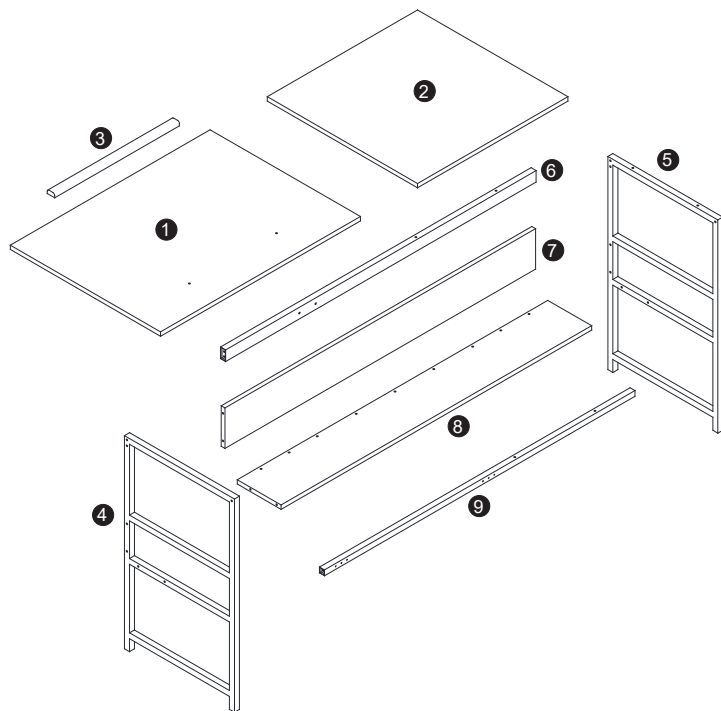
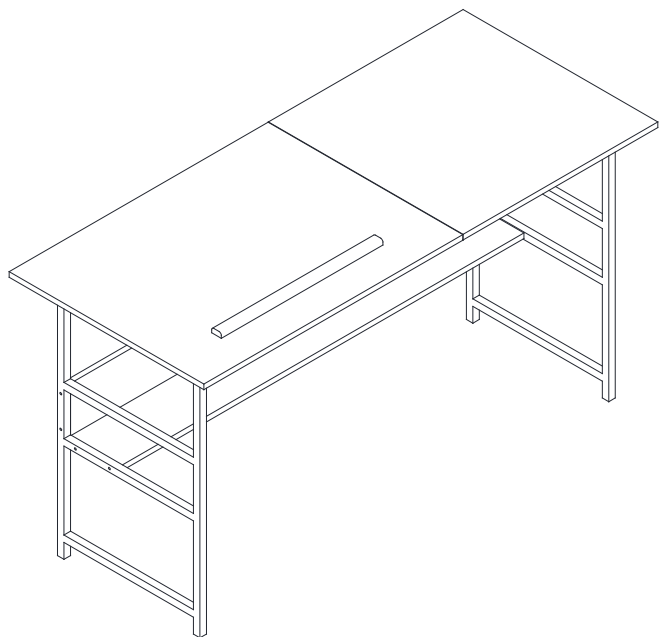

















The Accessories





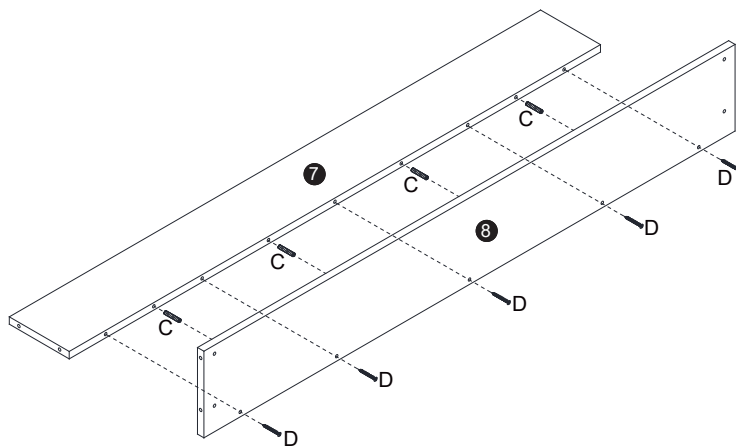
HARDWARE

A  8 PCS	B  M4X25mm 2 PCS	C  Ø5.8x30mm 4 PCS
D  M4X35mm 6 PCS	E  M3X12mm 12 PCS	F  1 PC
G  1 PC	H  M6X12mm 2 PCS	I  M6X16mm 2 PCS
J  M4X14mm 1 PC	K  2 PCS	L  M6X30mm 4 PCS
M  M6X40mm 6 PCS	N  M6X50mm 10PCS	O  2 PCS





2

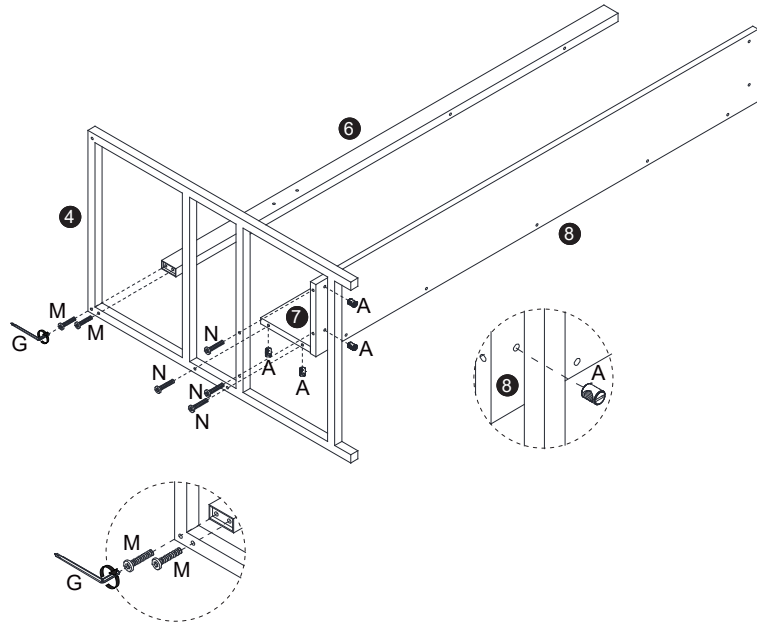
Step 1

C	x4	D	x5
			




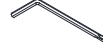


Step 2

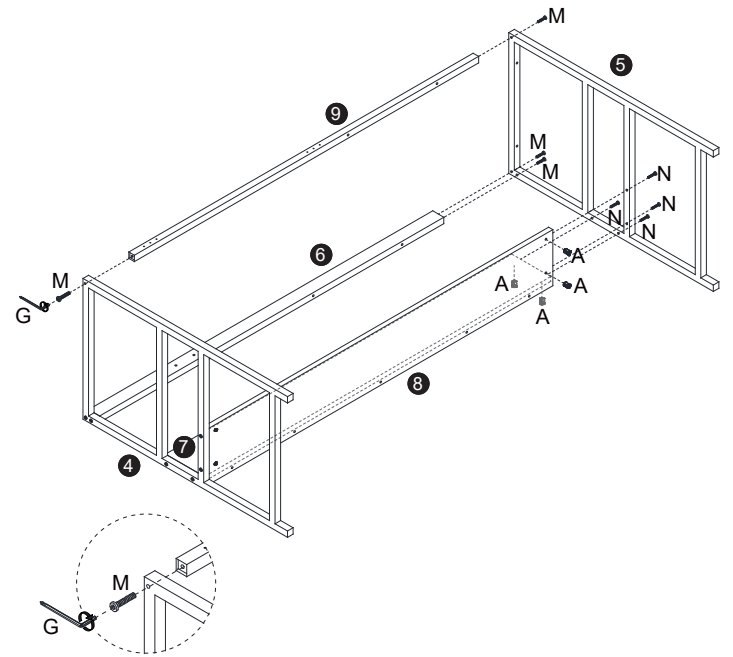
A	x4	G	x1	M	x2	
						
					N	x4
						



5




Step 3

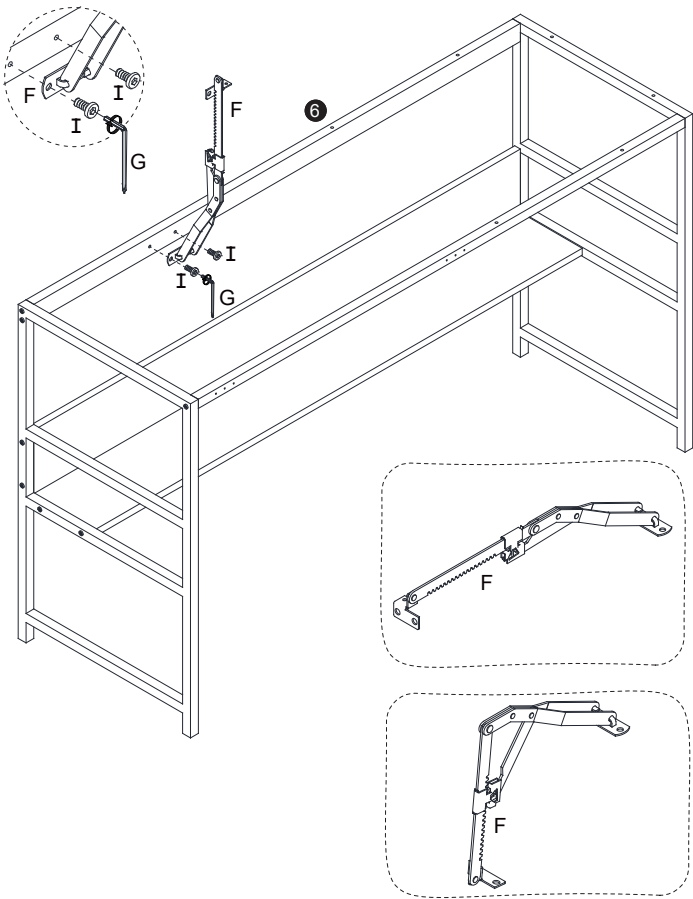
A	x4	G	x1	M	x4	
						
					N	x4
						



6




Step 4

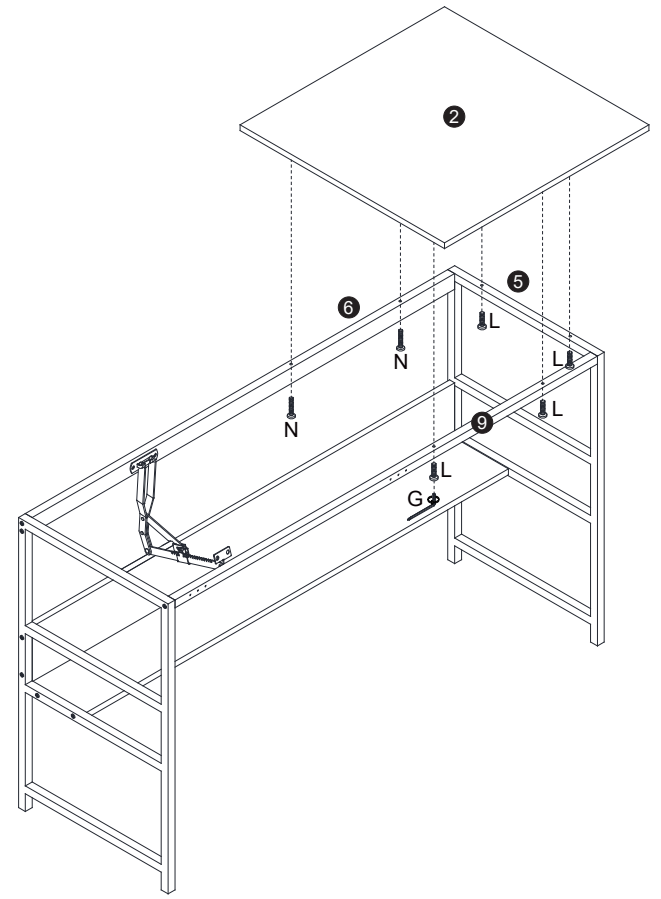
F	x1	G	x1	I	x2
					



7

Step 5

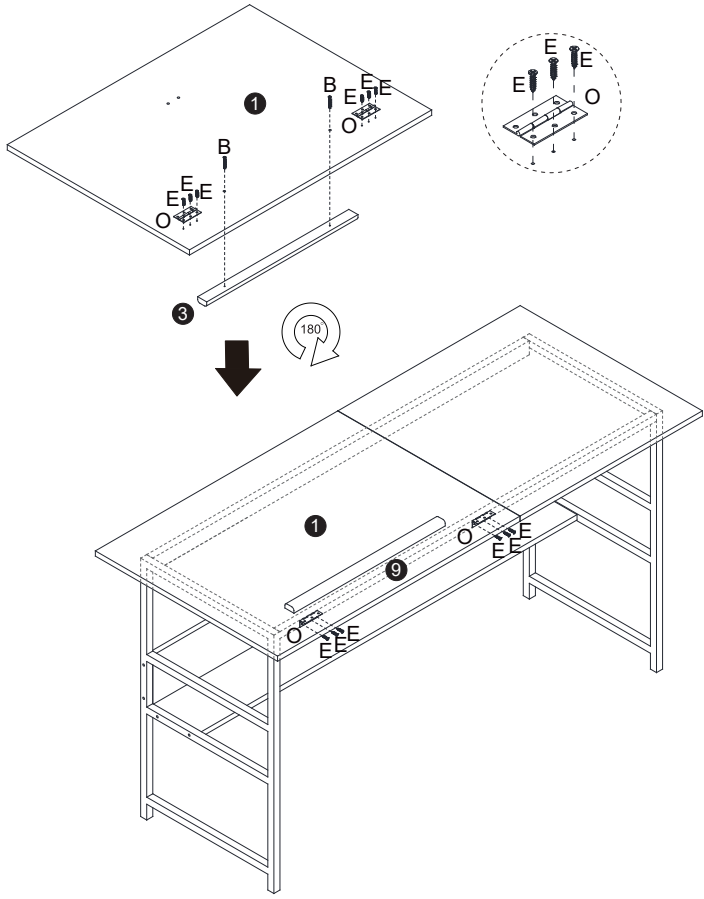
G	x1	L	x4	N	x2
					



8

Step 6

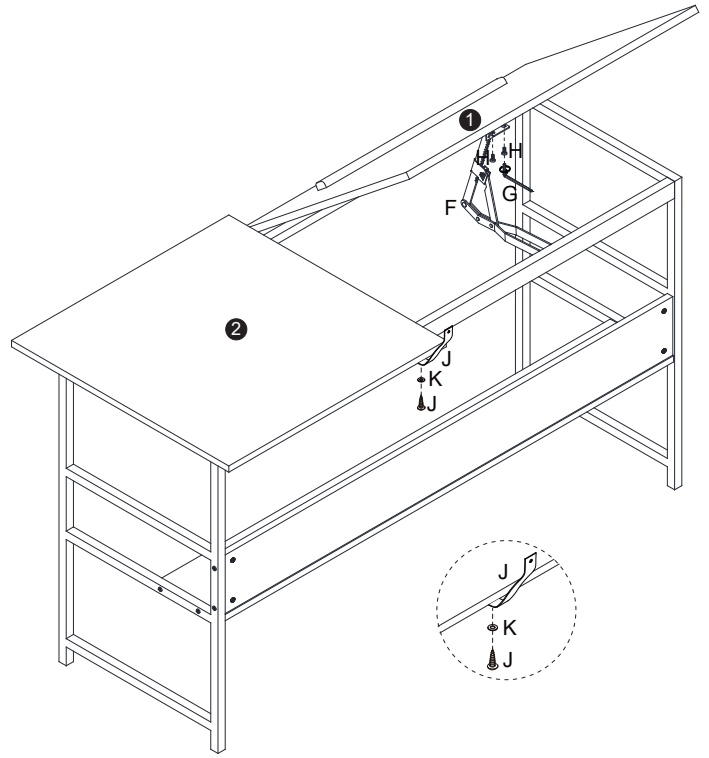
B	x2	E	x12	O	x2



9

Step 7

F	x1	G	x1	H	x2
J	x1	K	x1		



10

Step 8

D	x1	J	x1	K	x1

