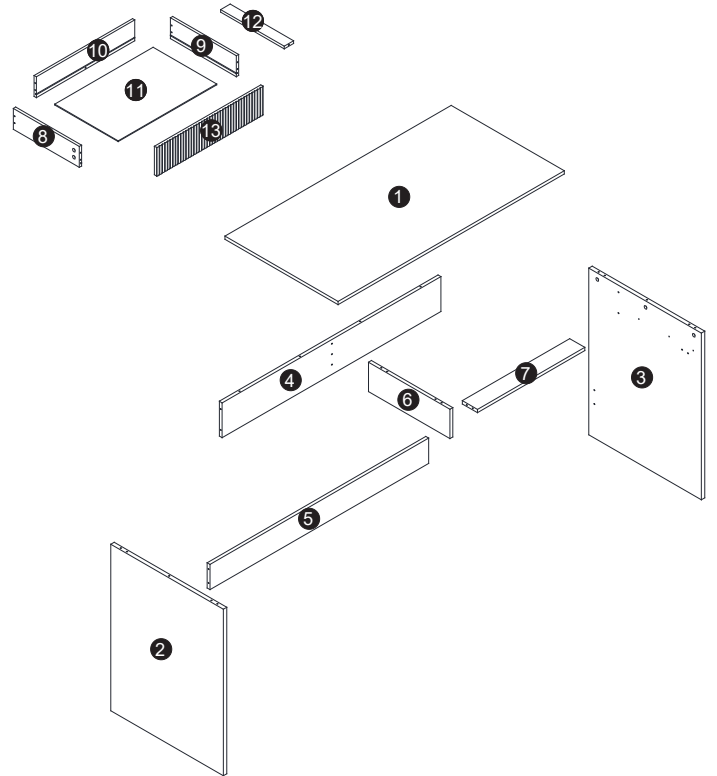
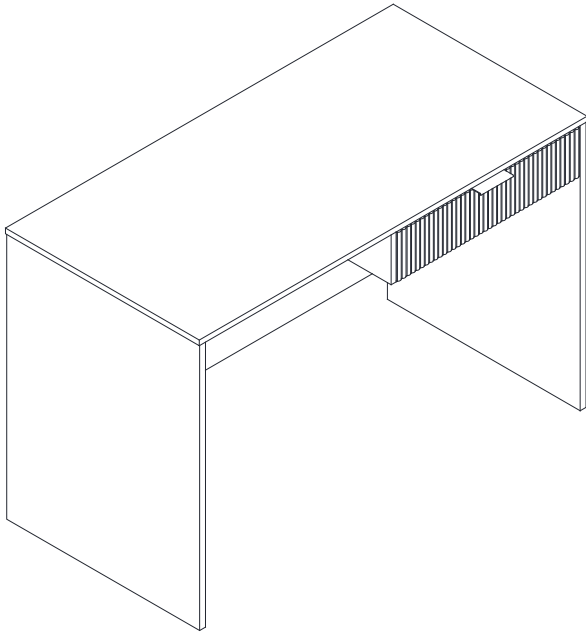





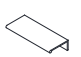






The Accessories






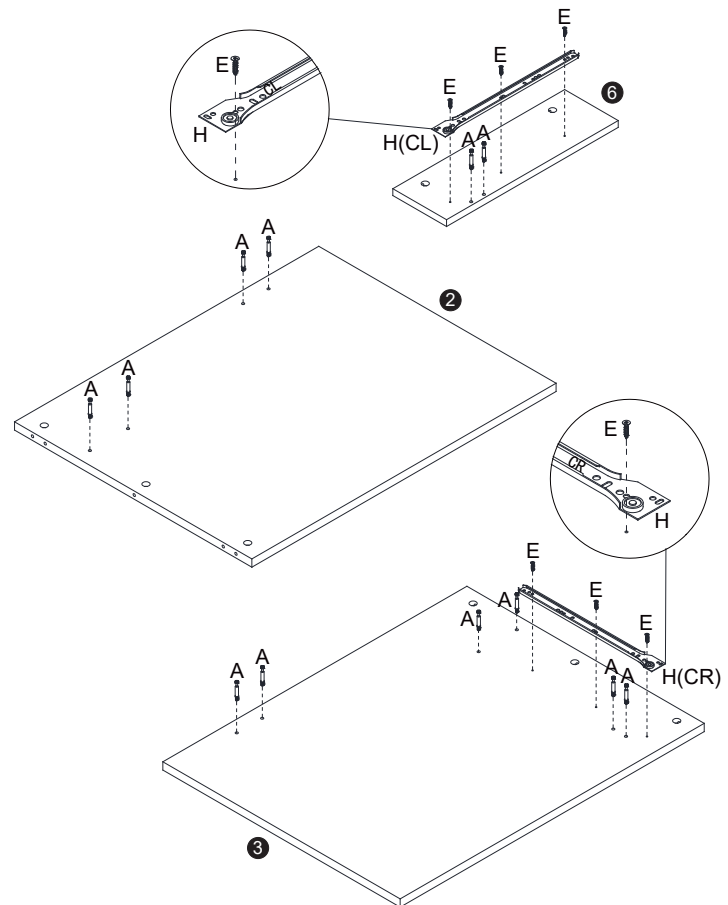
2

HARDWARE




<p>A</p>  <p>Ø6 x35mm 29PCS</p>	<p>B</p>  <p>Ø15x10mm 29PCS</p>	<p>C</p>  <p>Ø5.8x30mm 7 PCS</p>
<p>D</p>  <p>M4X35mm 8 PCS</p>	<p>E</p>  <p>M3X12mm 14 PCS</p>	<p>F</p>  <p>1 PC</p>
<p>G</p>  <p>M4X14mm 1 PC</p>	<p>H</p>  <p>CR/CL/DR 1 PC</p>	<p>I</p>  <p>2 PCS</p>
<p>J</p>  <p>6 PCS</p>		

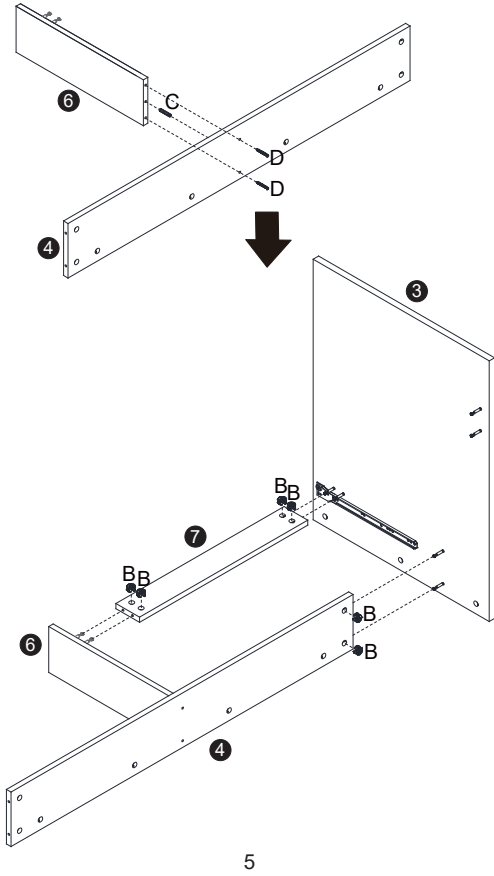
Step 1

<p>A</p>  <p>x12</p>	<p>E</p>  <p>x6</p>	<p>H</p>  <p>x1</p>
--	---	---





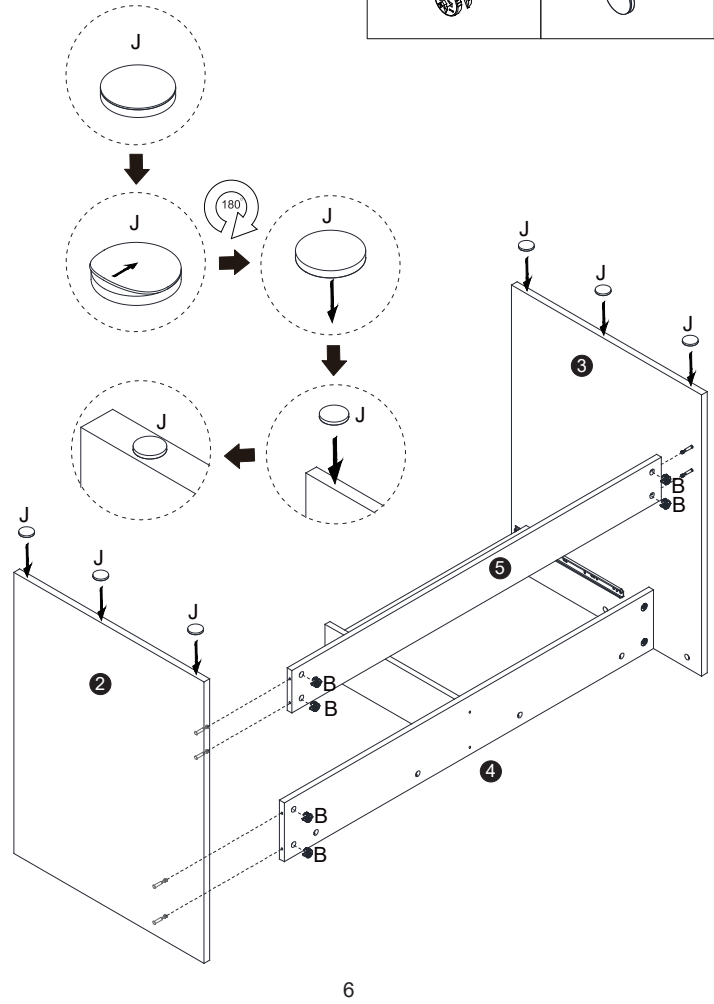
Step 2

B	x6	C	x1	D	x2
					






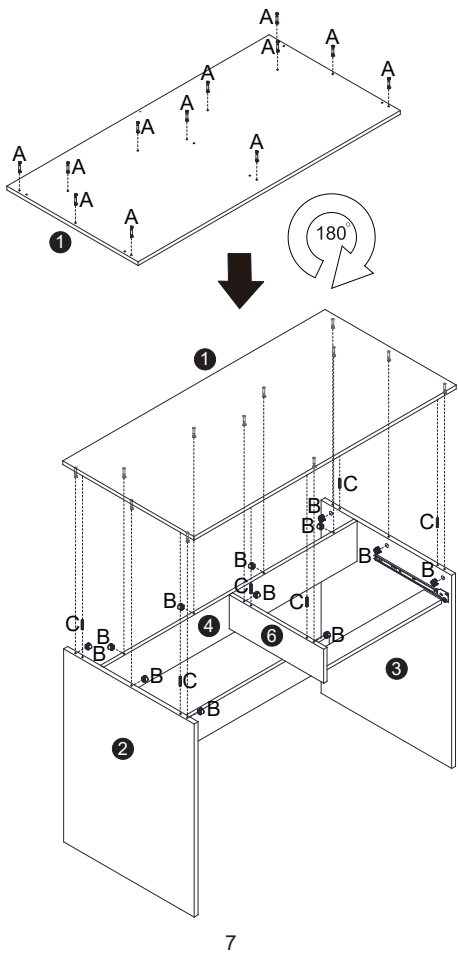
Step 3

B	x6	J	x6
			




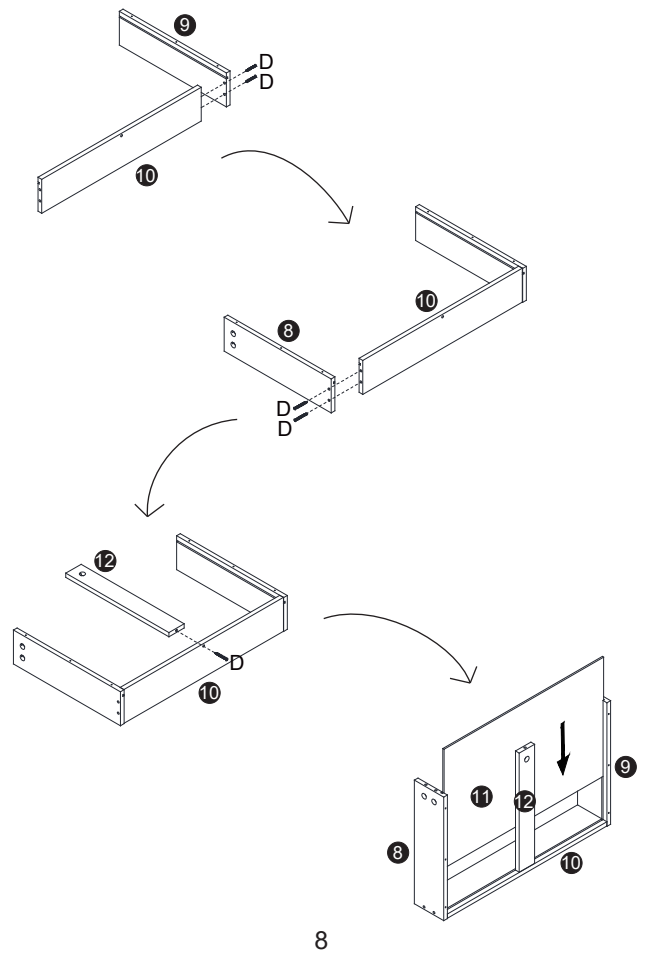
Step 4

A	x12	B	x12	C	x6
					



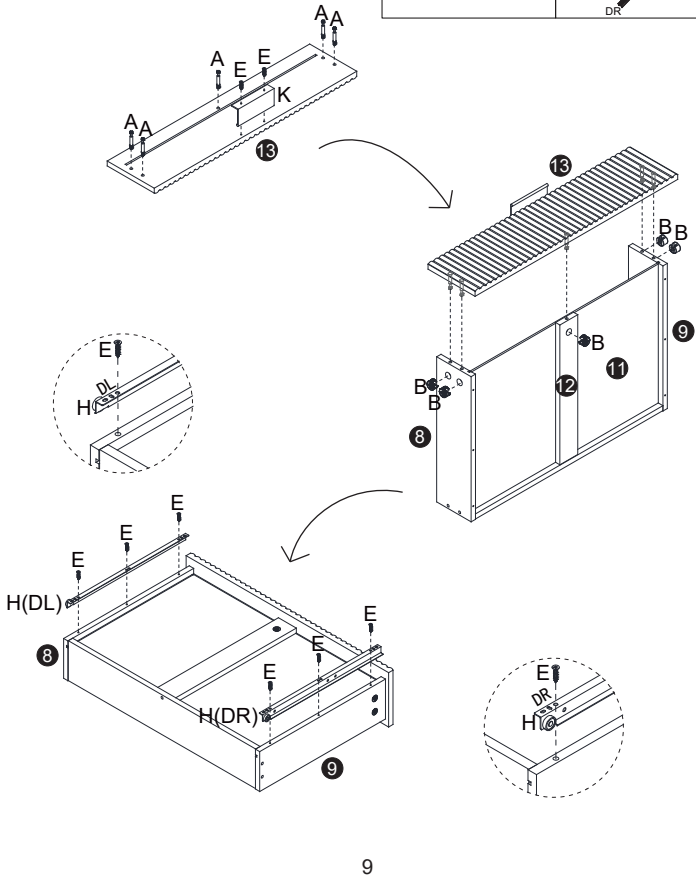
Step 5

D	x5
	



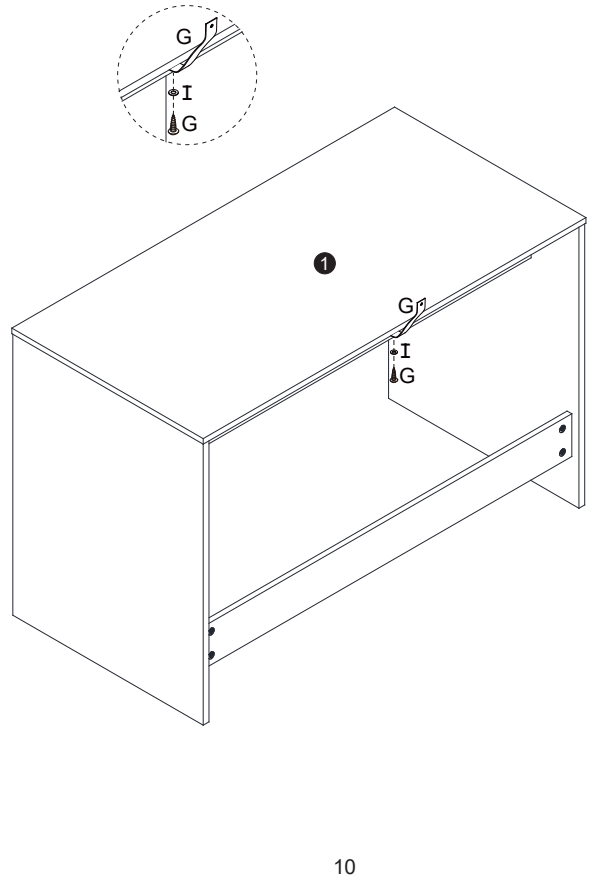
Step 6

A	x5	B	x5	E	x8
K		x1	H	x1	

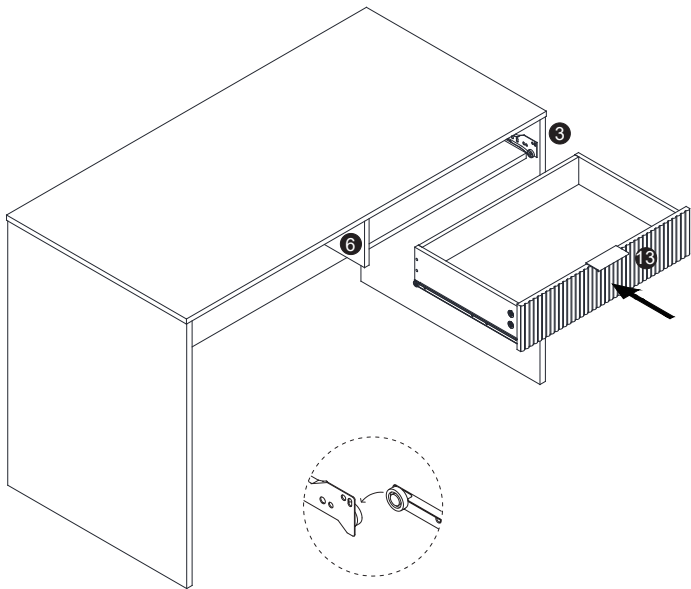


Step 7

G	x1	I	x1



Step 8



Step 9

D	x1	G	x1	I	x1

