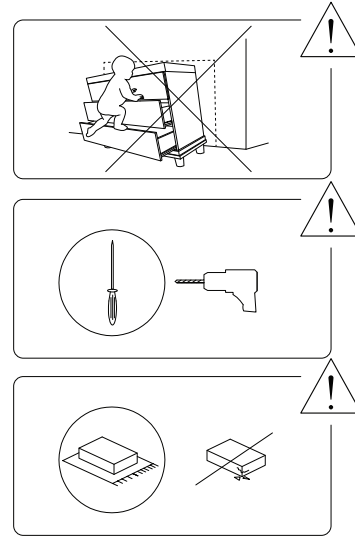
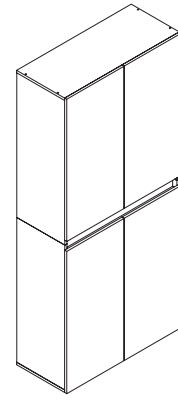
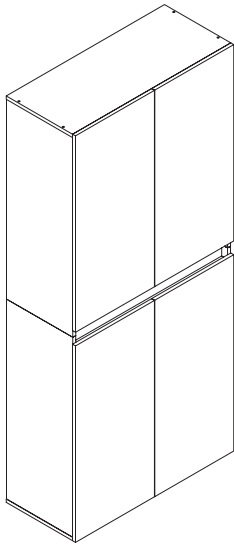


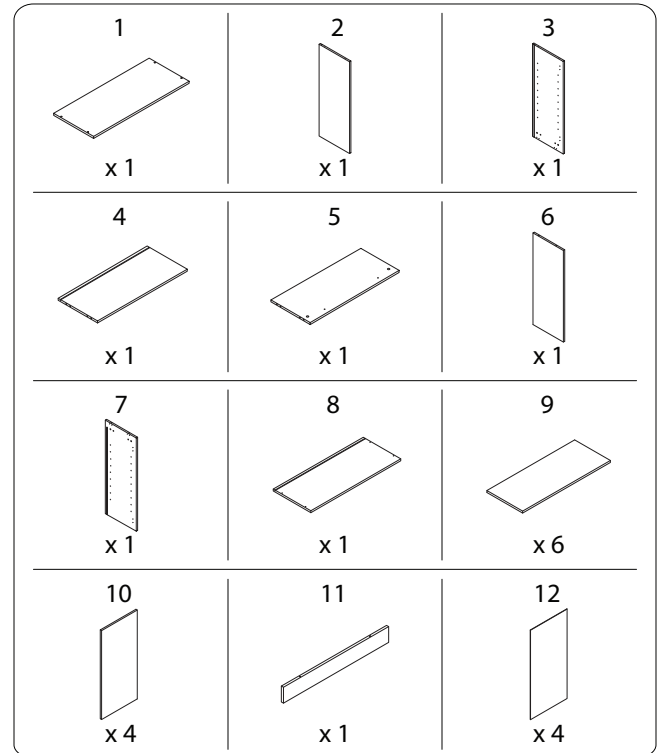
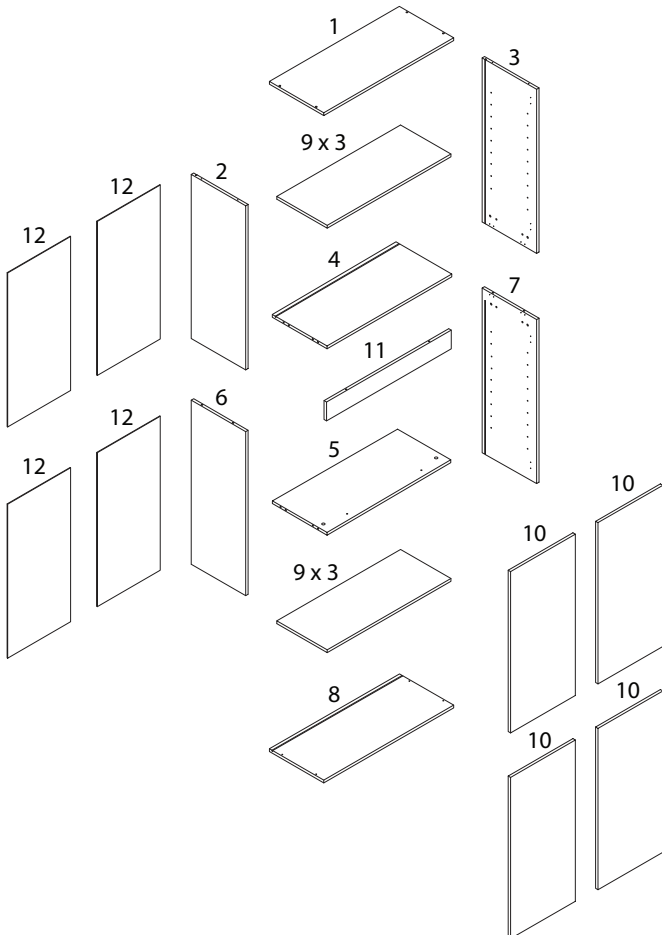
LETHBRIDGE



1/17

2/17

2754/LETHBRIDGE/200526


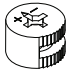











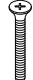







3/17

2754/LETHBRIDGE/200526

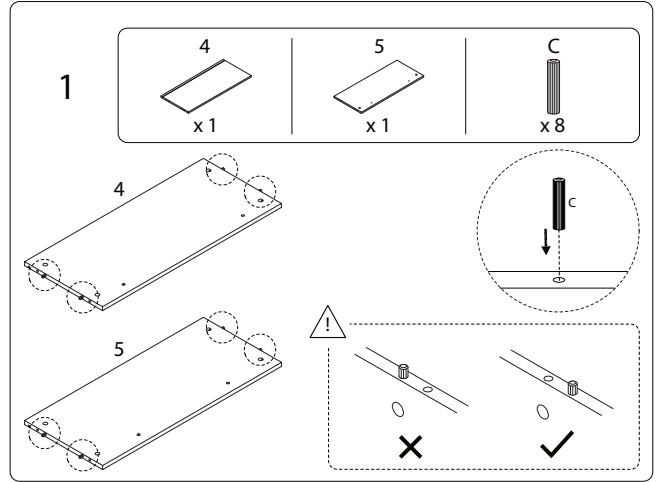
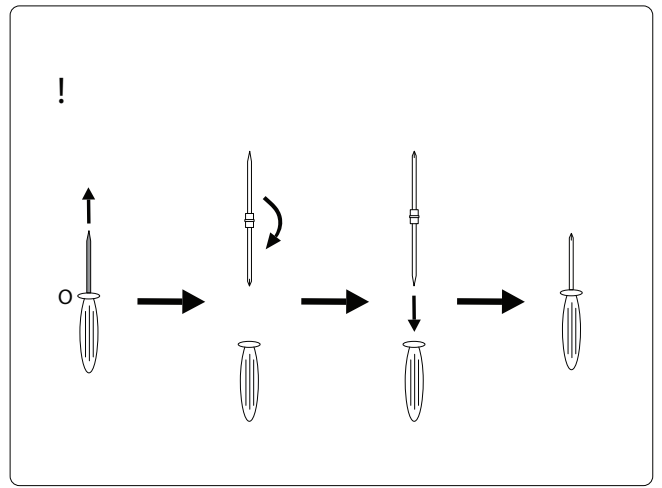
4/17

2754/LETHBRIDGE/200526

A  x 12	B  x 12	C  x 12	D  x 64
E  x 8	F  x 4	G  x 24	H  x 2
I  x 8	J  x 8	K  x 4	L  x 16
M  x 16	N1  x 1	N2  x 2	N3  x 1
N4  x 1	N5  x 1	O  x 1	

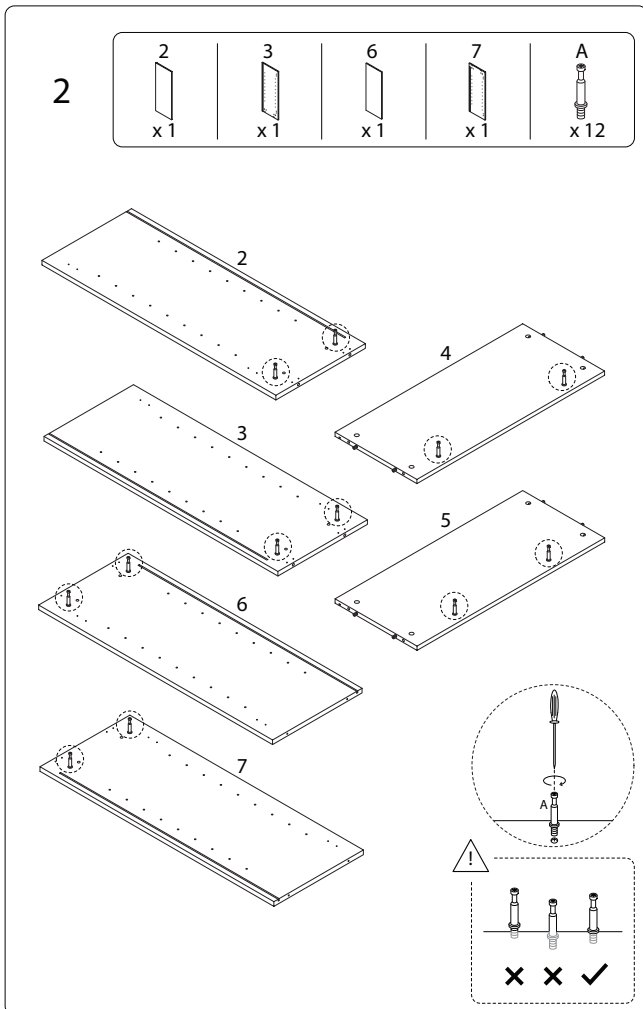
5/17

2754/LETHBRIDGE/200526



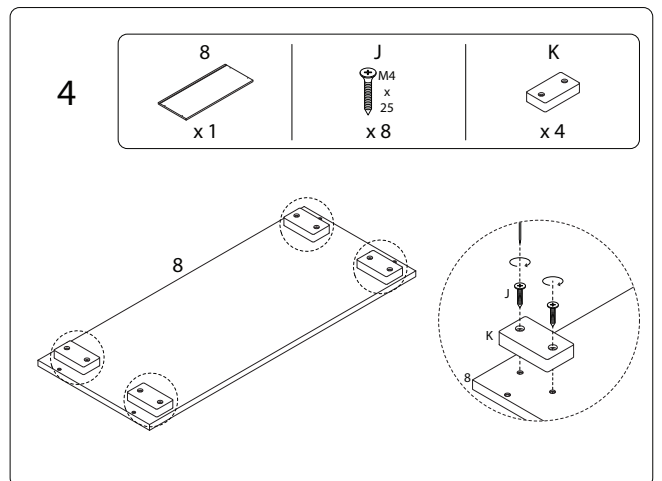
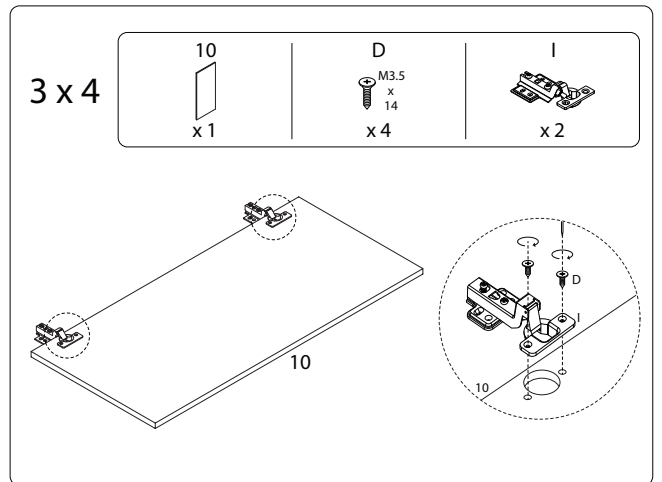
6/17

2754/LETHBRIDGE/200526



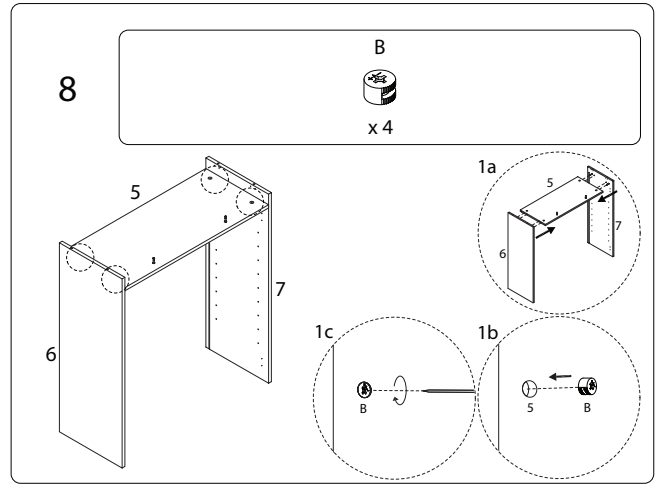
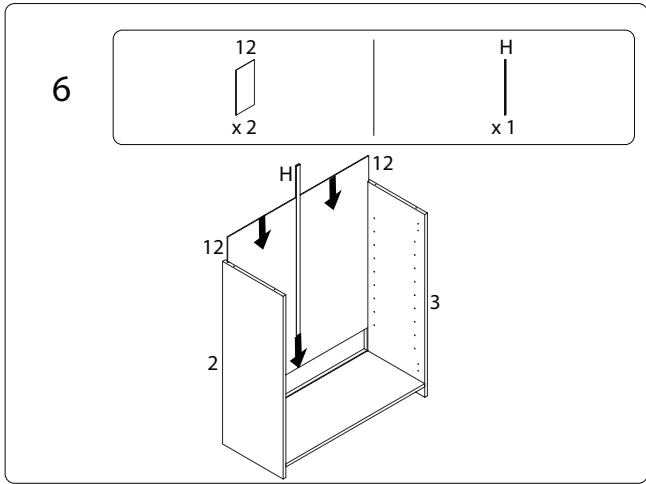
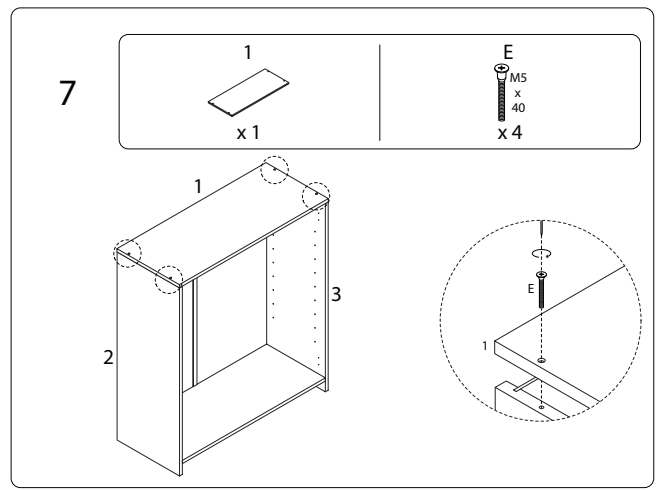
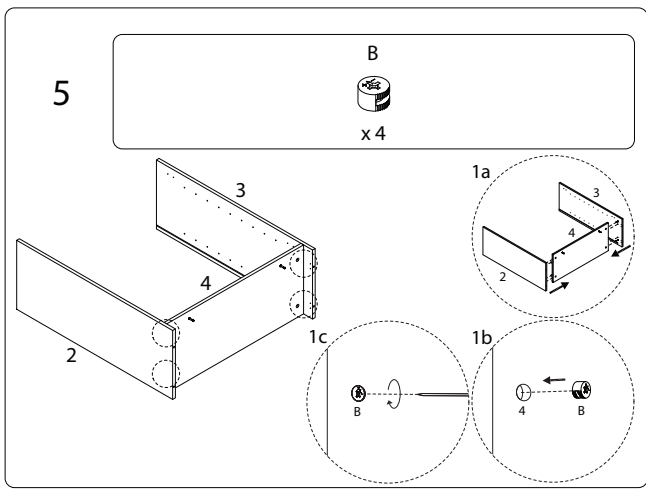
7/17

2754/LETHBRIDGE/200526



8/17

2754/LETHBRIDGE/200526

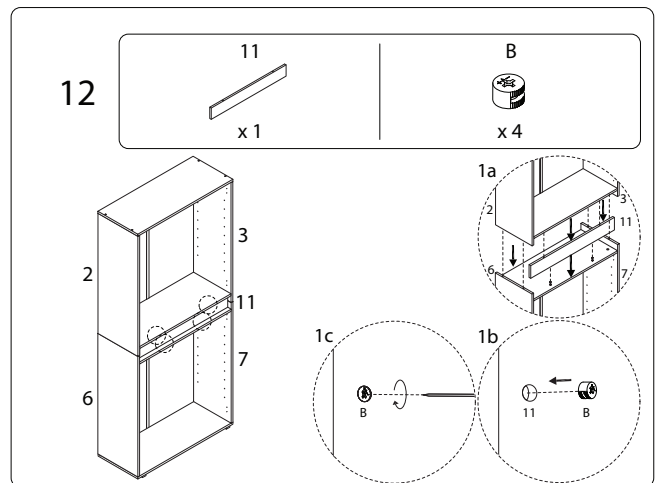
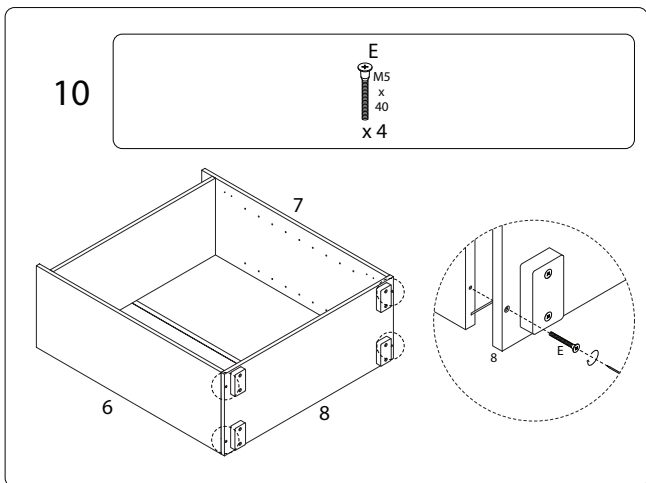
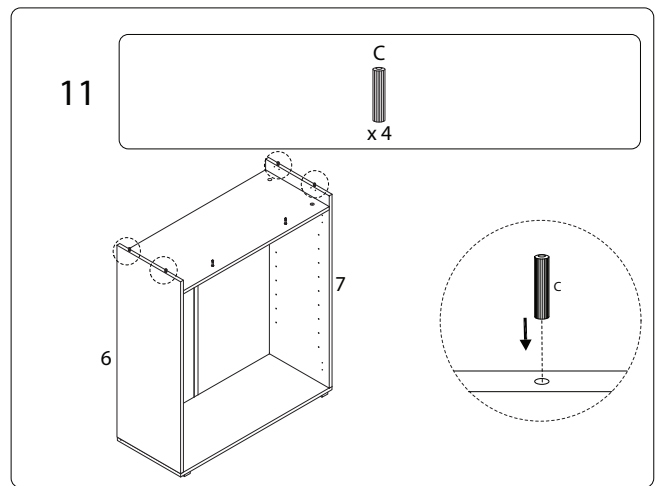
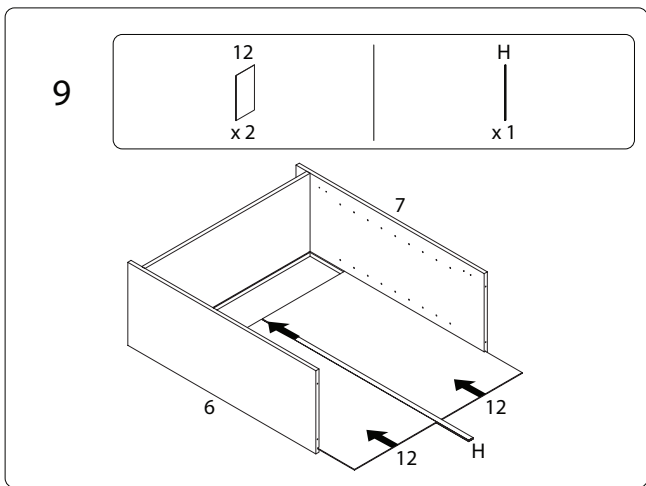


9/17

2754/LETHBRIDGE/200526

10/17

2754/LETHBRIDGE/200526



11/17

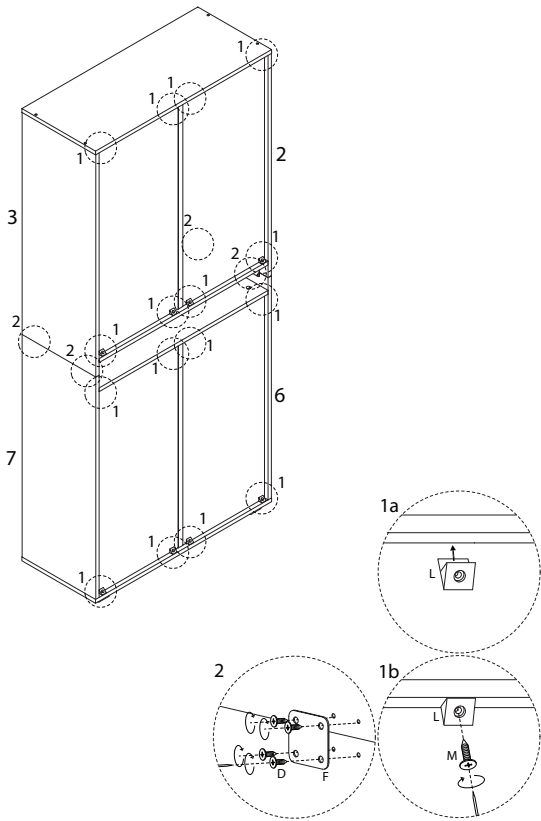
2754/LETHBRIDGE/200526

12/17

2754/LETHBRIDGE/200526

13

D M3.5 x 14 x 16	F x 4	L x 16	M M3 x 12 x 16
----------------------------------	-----------------	------------------	--------------------------------

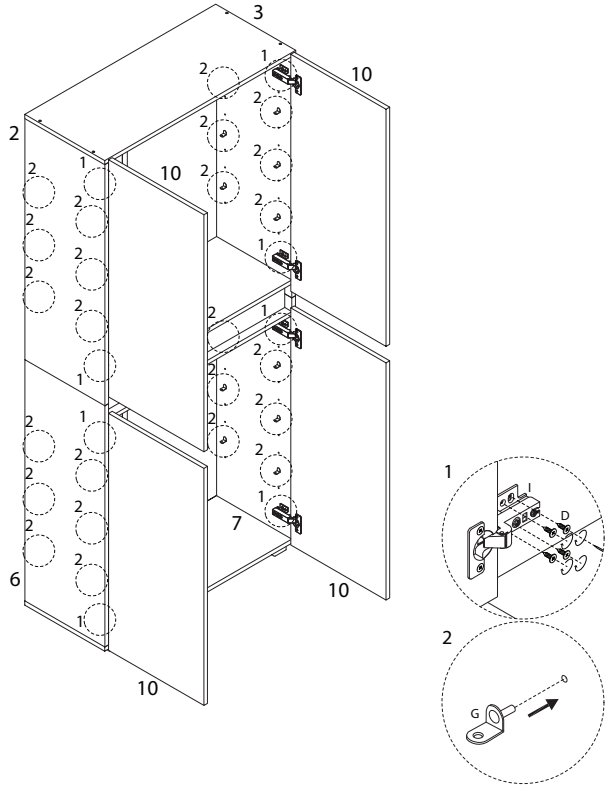


13/17

2754/LETHBRIDGE/200526

14

D M3.5 x 14 x 32	G x 24
----------------------------------	------------------

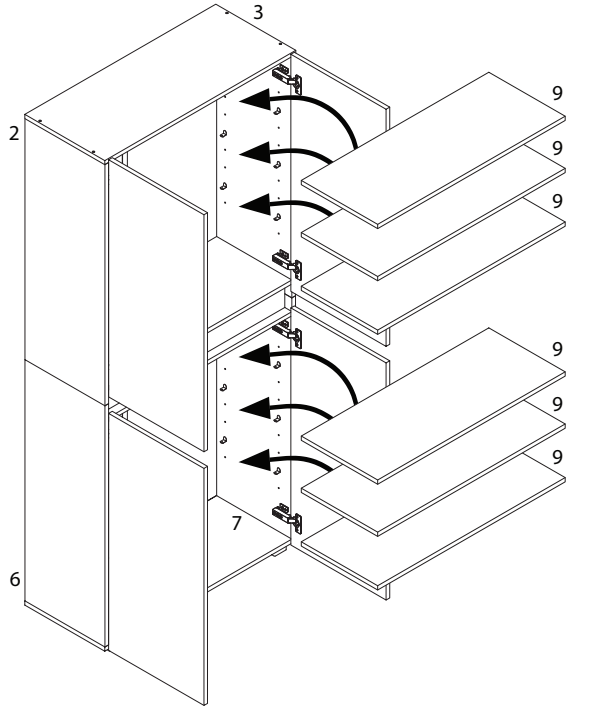


14/17

2754/LETHBRIDGE/200526

15

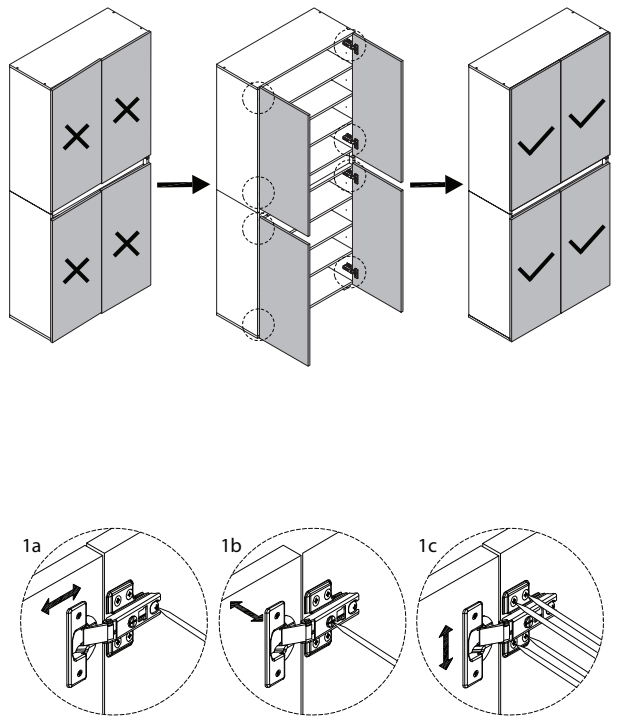
9 x 6



15/17

2754/LETHBRIDGE/200526

16



16/17

2754/LETHBRIDGE/200526

17

N1 M4 x 35 x 1	N2 x 2	N3 M3.5 x 12 x 1	N4 x 1	N5 x 1
--------------------------------	------------------	----------------------------------	------------------	------------------

