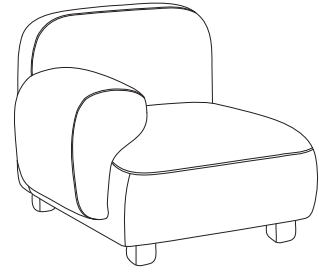
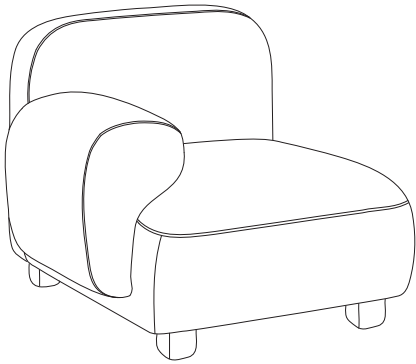
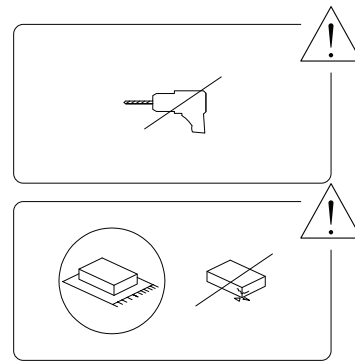


AMLI

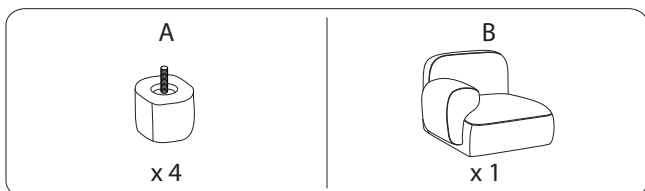
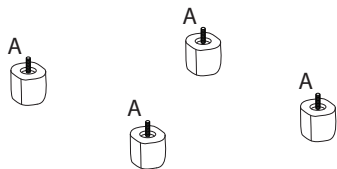
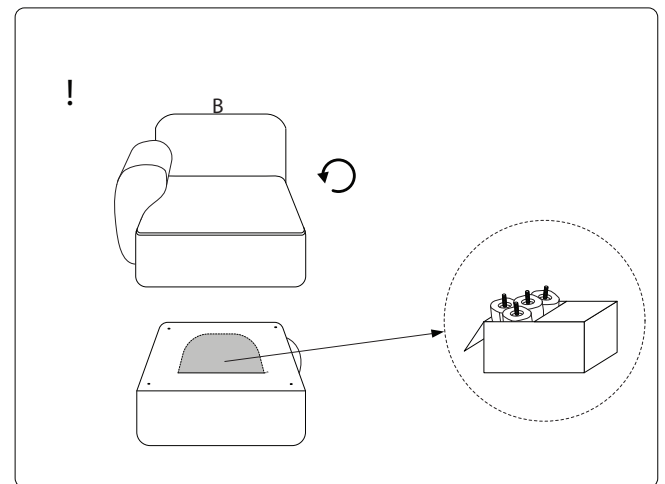
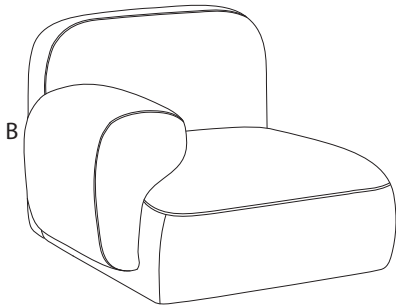


1/5



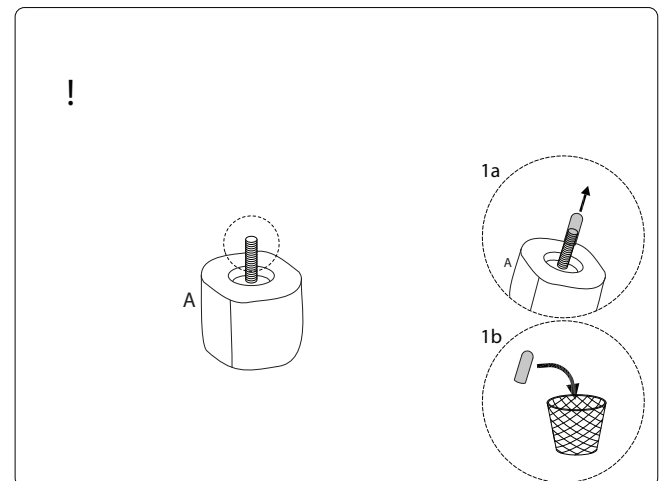
2/5

713/AMLI/120526



3/5

713/AMLI/120526



4/5

713/AMLI/120526

