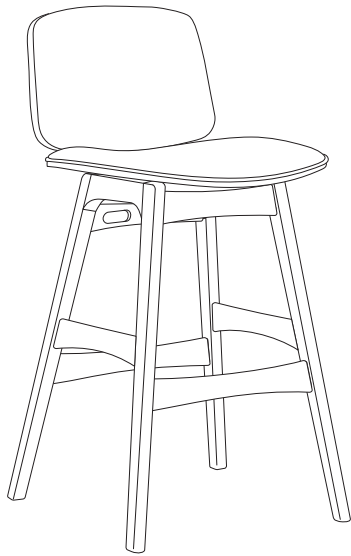
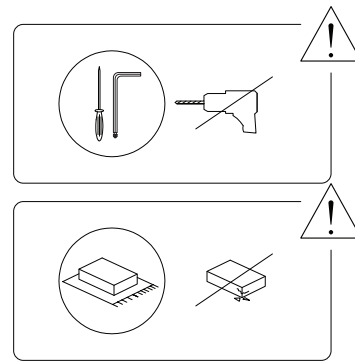


# CHARLESTON



1/7



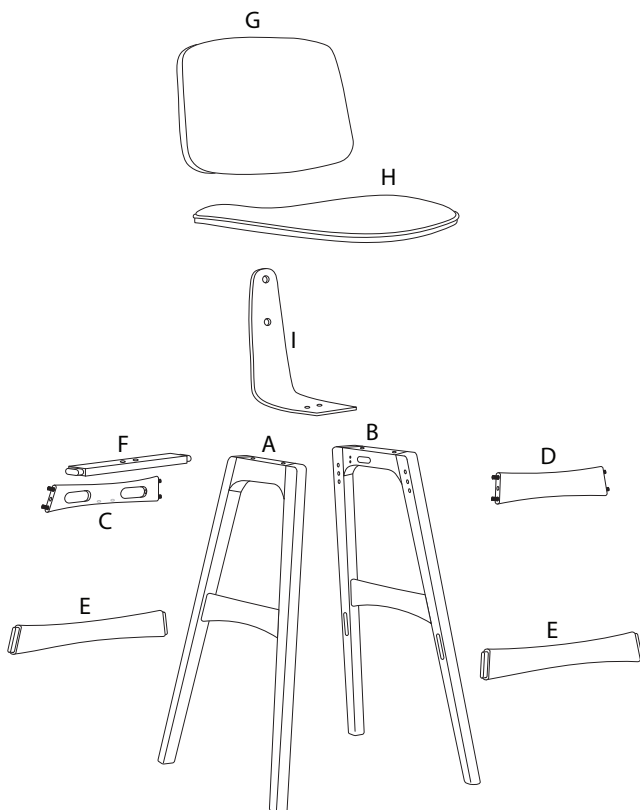
15'





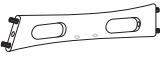



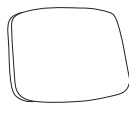

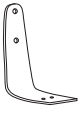



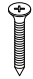


1

2/7

2265/CHARLESTON/2505/26



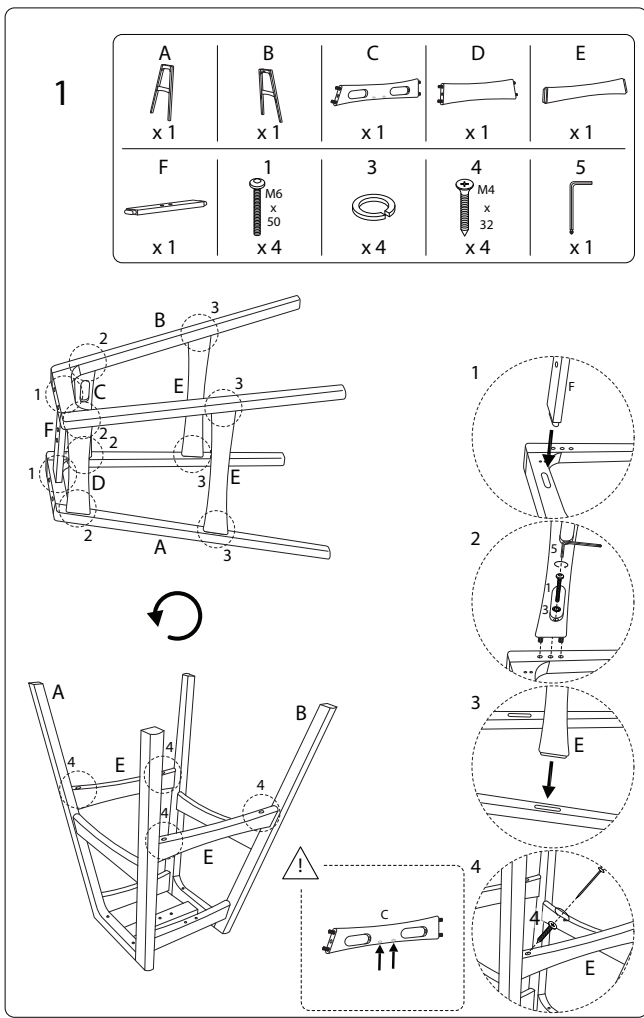
3/7

 x 1	 x 1	 x 1
 x 1	 x 2	 x 1
 x 1	 x 1	 x 1
 M6 x 50 x 4	 M6 x 20 x 4	 x 8
 M4 x 32 x 10	 x 1	 x 2

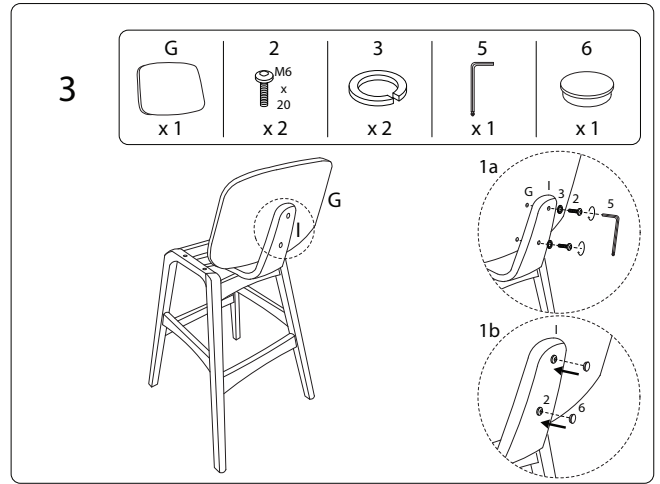
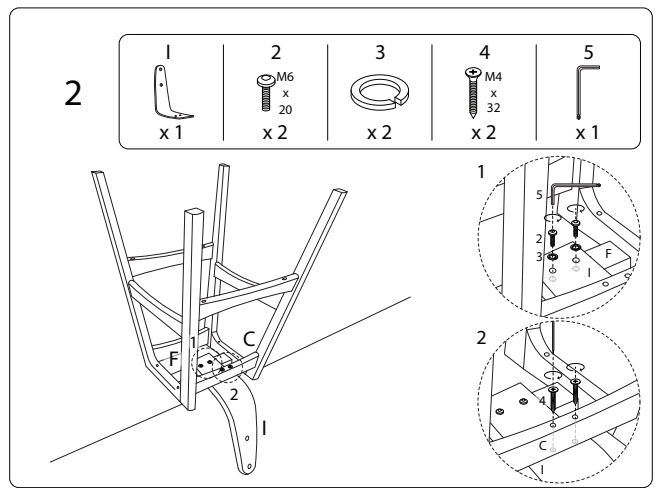
4/7

2265/CHARLESTON/2505/26

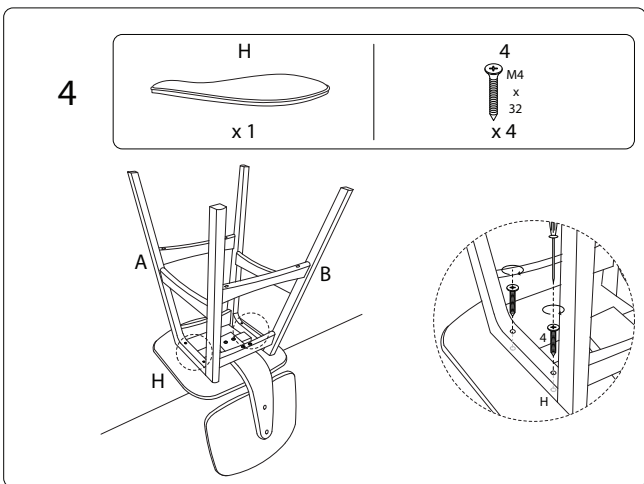
2265/CHARLESTON/2505/26



2265/CHARLESTON/2505/26/



2265/CHARLESTON/2505/26/



2265/CHARLESTON/2505/26/