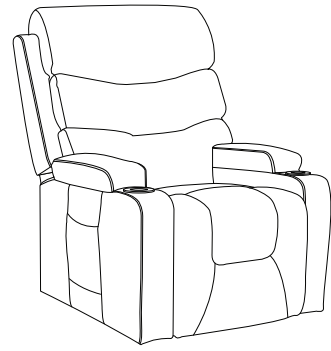
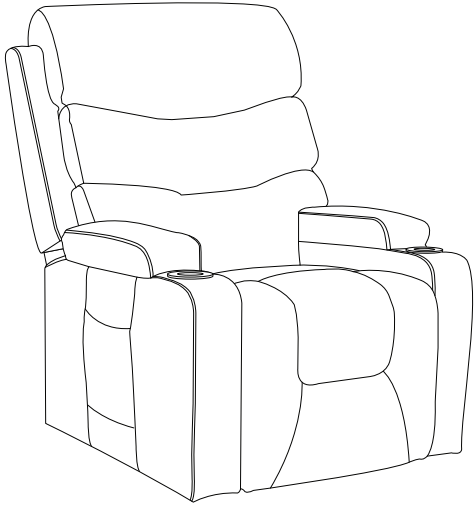


ETER


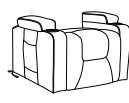


10'


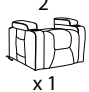
1

1/7

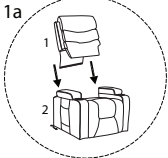
2517/ETER/100925/

1  x 1	2  x 1
---	---

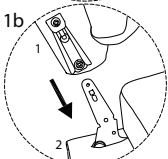
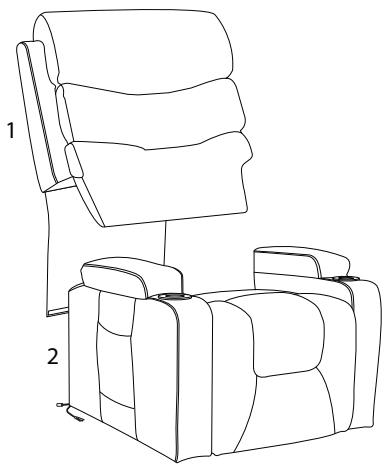
1


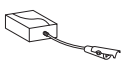


1  x 1	2  x 1
---	---

1a

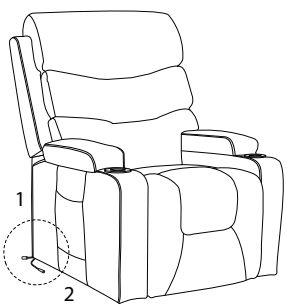
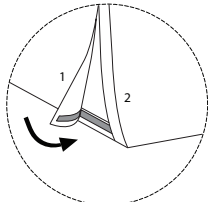


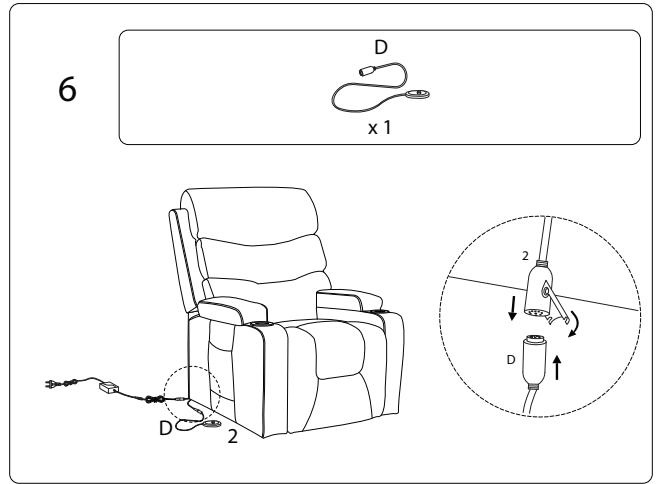
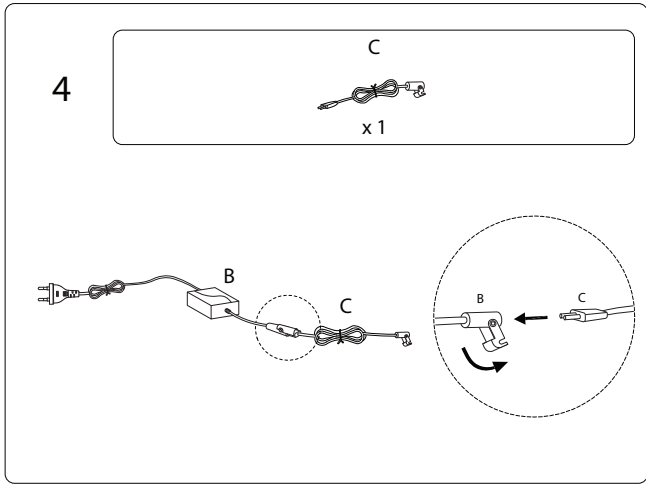
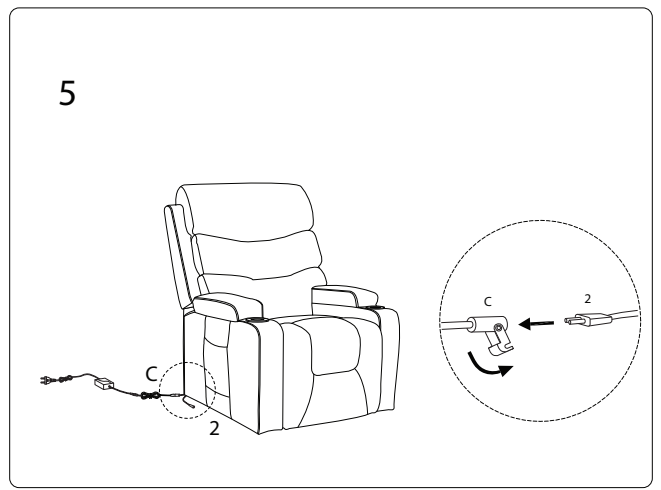
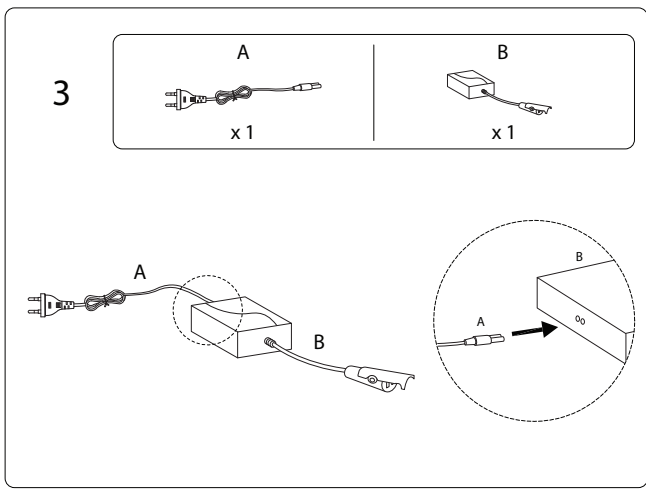
1b

A  x 1	B  x 1	C  x 1	D  x 1
--	---	---	---

2

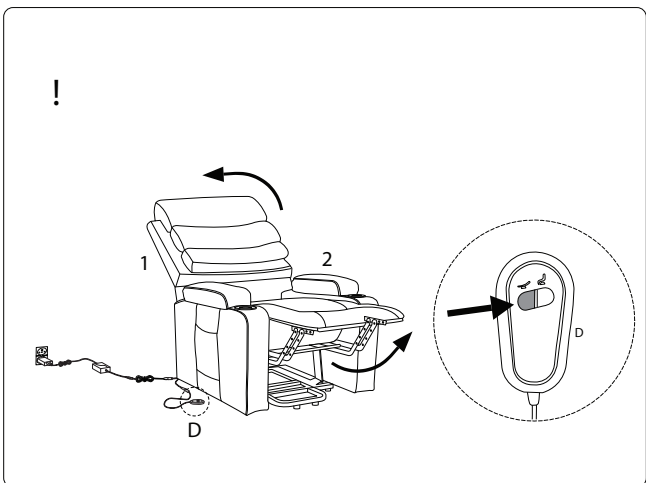
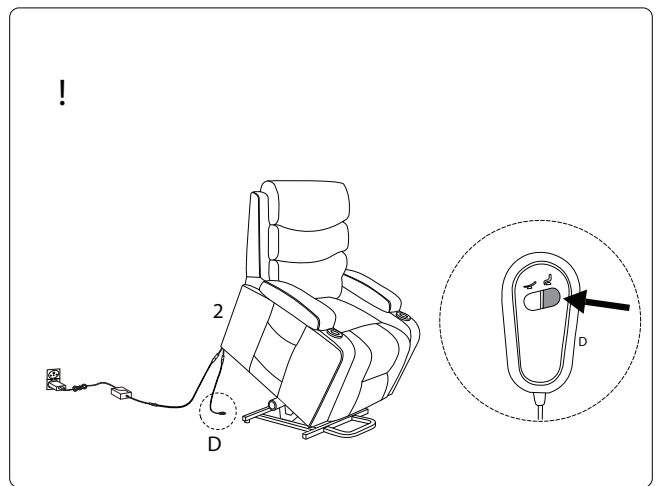
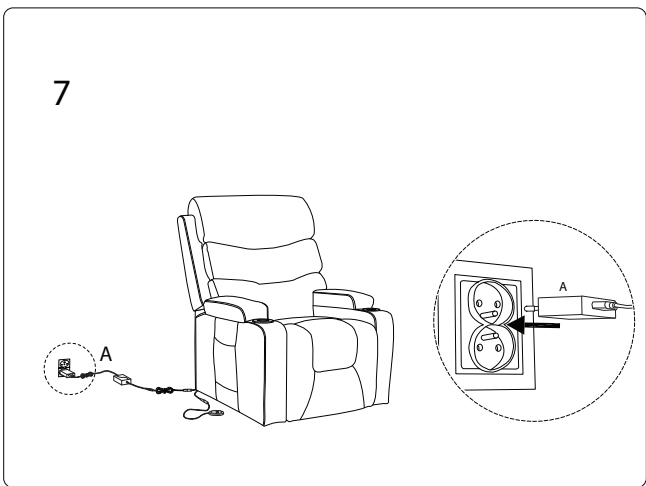


4/7

2517/ETER/100925/

5/7

2517/ETER/100925/



6/7

2517/ETER/100925/

7/7

2517/ETER/100925/