

### TOOLS:



UNIT:MM

1

2

3

X  
2

4

A

X  
2

B

X  
2

C

X  
8

D

X  
8

E

X  
12

F

X  
16

G

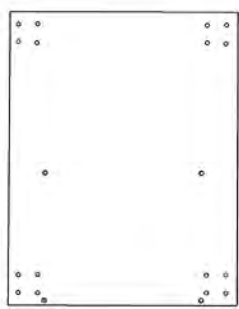
X  
4

H

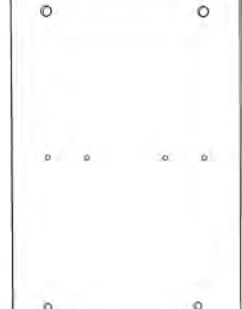
X  
4



450 × 350 × 15



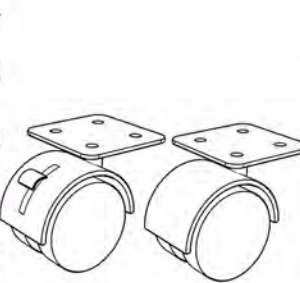
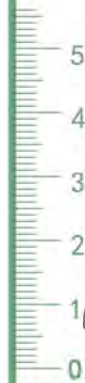
450 × 350 × 15



495 × 350 × 15



350 × 180 × 15



M6 × 35



Φ15 × 12



Φ6 × 30



M4 × 12

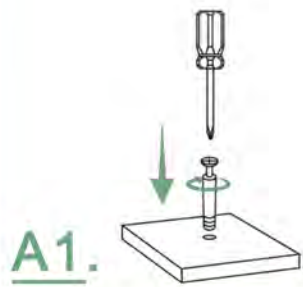
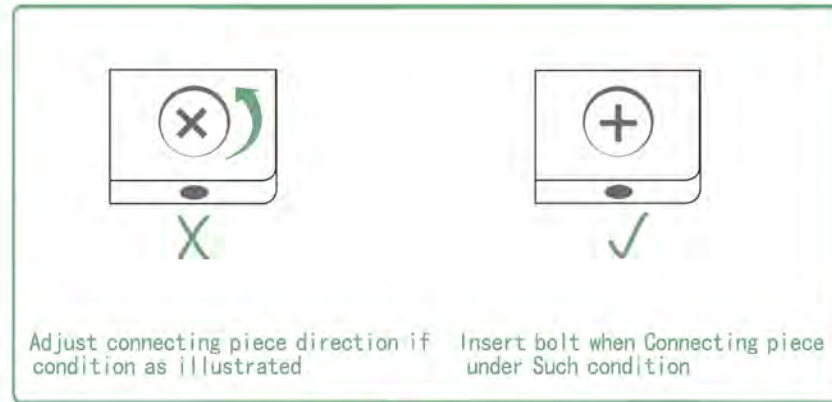


M6 × 40

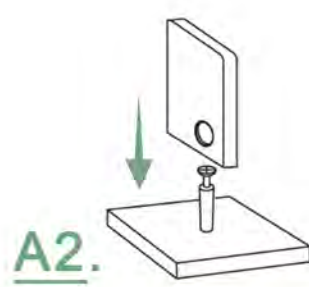


Φ12 × 10

### BOLT INSTALLATION AS BELOW:



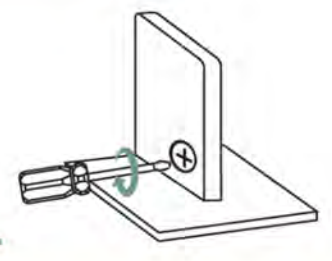
A1.



A2.



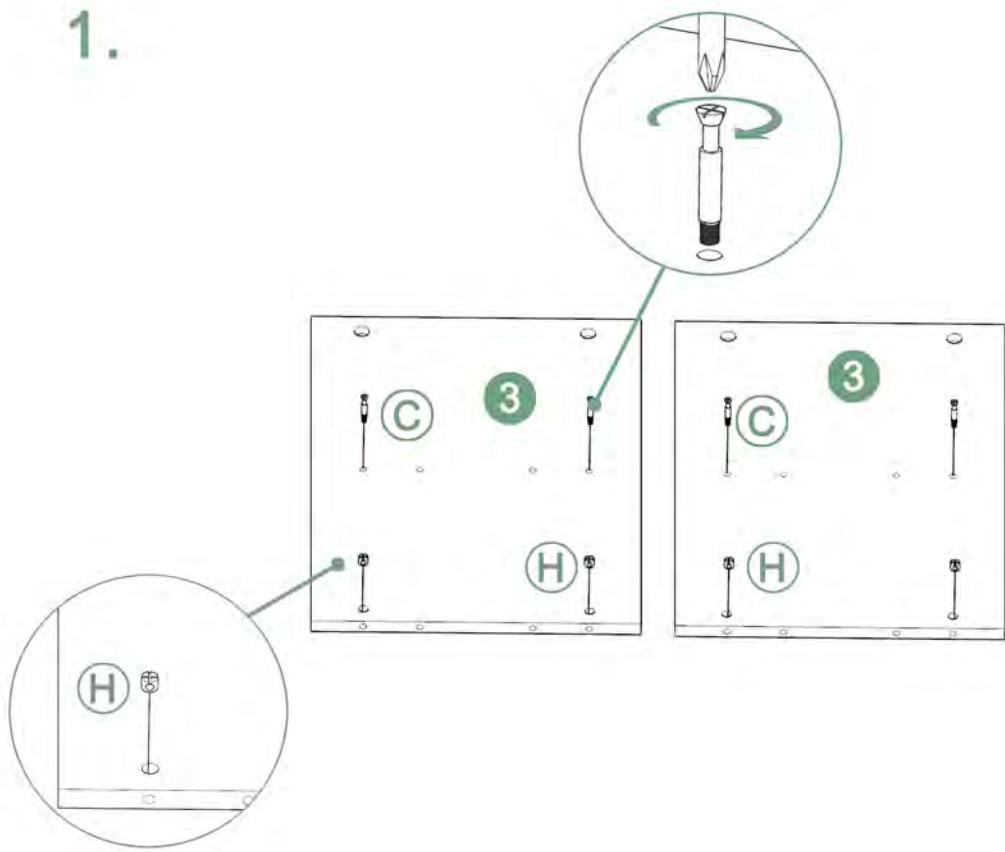
A3.



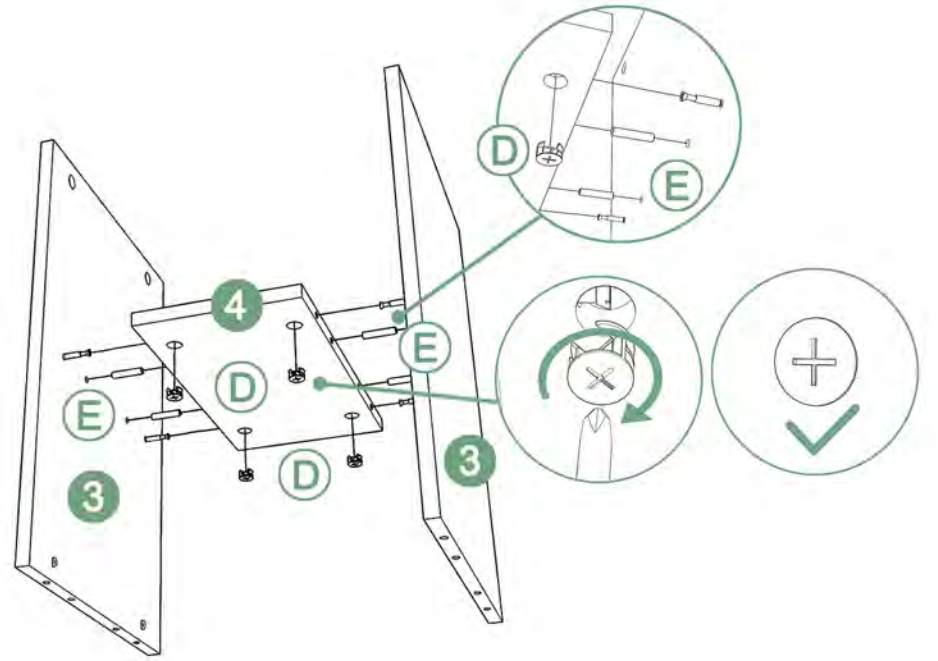
A4.



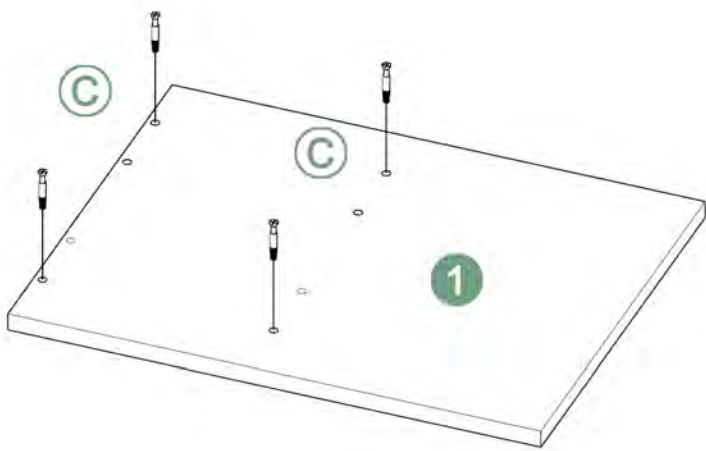
1.



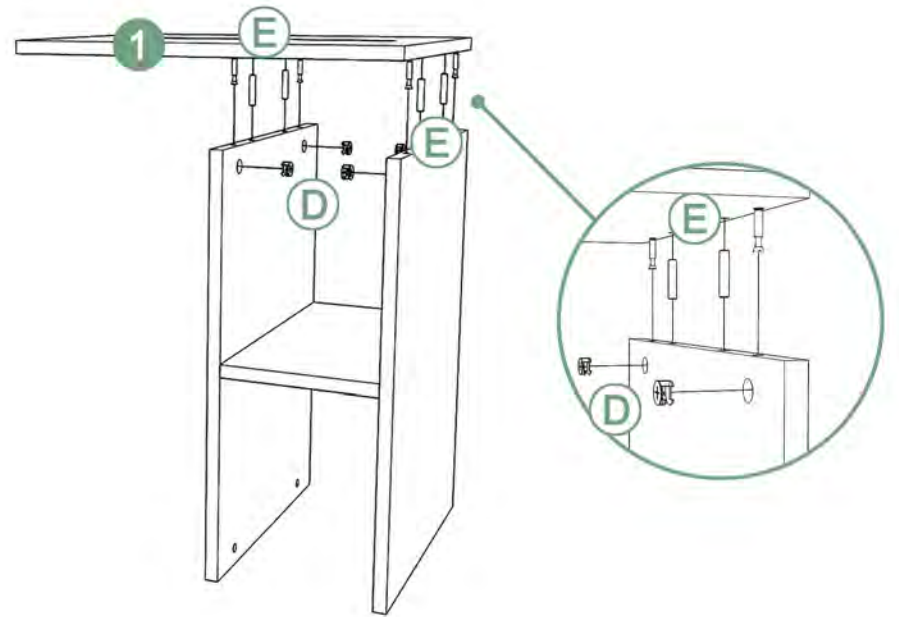
2.



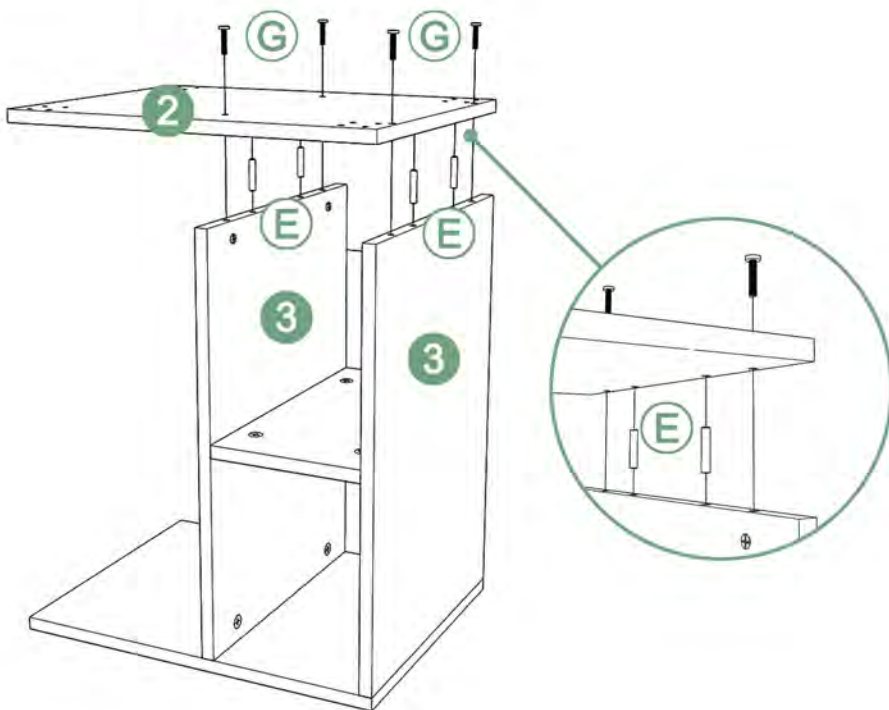
3.



4.



5.



6.

