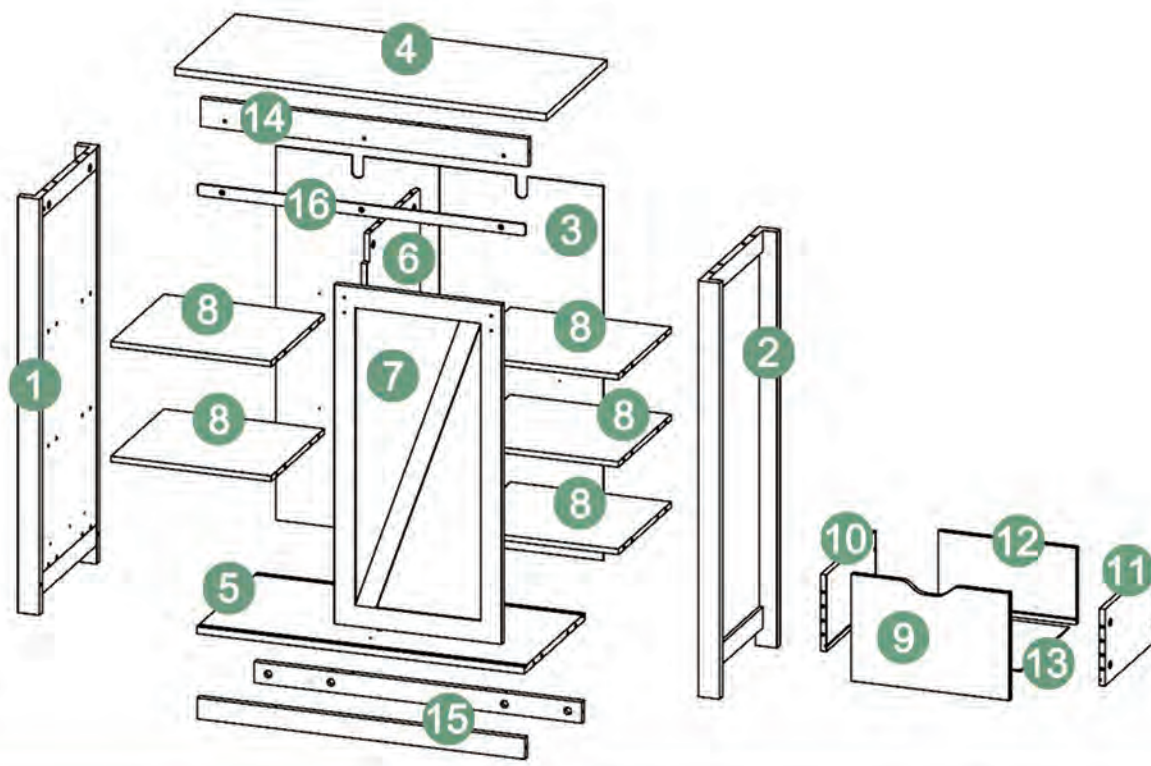
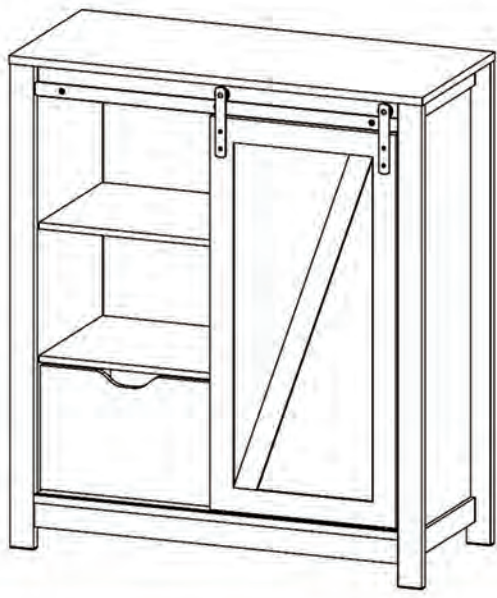




FSB59

2021-01

SoBuy®



TOOLS:



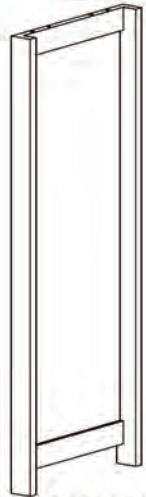
UNIT:MM

1



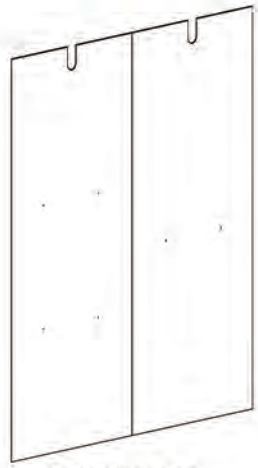
895 × 345 × 46

2



895 × 345 × 46

3



804 × 705 × 3

4



800 × 350 × 15

5



705 × 350 × 15

6



795 × 299 × 12

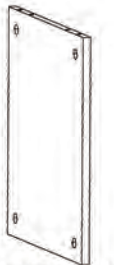
7



730 × 355 × 15

8

× 5



345 × 298 × 12

UNIT:MM

9



340 × 230 × 12

10



280 × 165 × 12

11



280 × 165 × 12

12



297 × 165 × 12

13



305 × 275 × 3

14



705 × 60 × 15

15 × 2



705 × 45 × 15

16



701 × 25

UNIT:MM

A

× 46



M6 × 35

B

× 46



φ 15 × 9

C

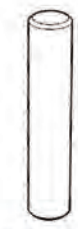
× 6



M4 × 40

D

× 42



φ 6 × 30

CL



CR



DL



DR



E

× 2



F

× 3



M6 × 20

G

× 3



UNIT:MM

H × 2	J × 6	K × 4	L × 4	M	N × 2	O × 2	P × 2	R × 18	V × 4
-----------------	-----------------	-----------------	-----------------	----------	-----------------	-----------------	-----------------	------------------	-----------------

φ 5 × 25 M4 × 12 M3 × 14 M5 × 50 φ 8 × 40 M3 × 12

BOLT INSTALLATION AS BELOW:



	BOLT
	Connecting piece

Adjust connecting piece direction if condition as illustrated Insert bolt when Connecting piece under Such condition

A1.

A2.

A3.

A4.

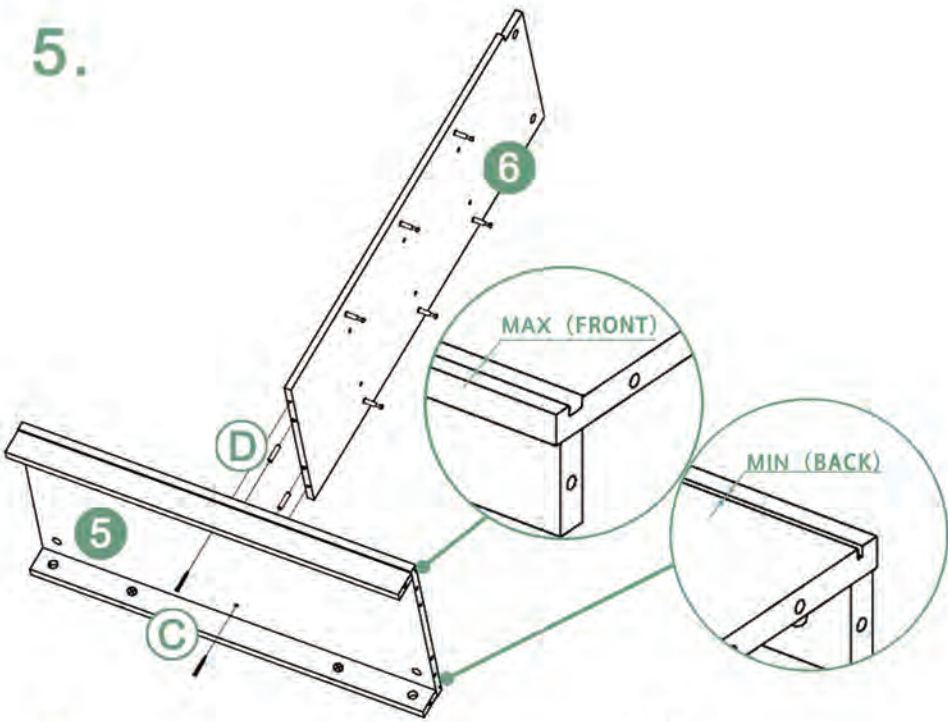
1.

2.

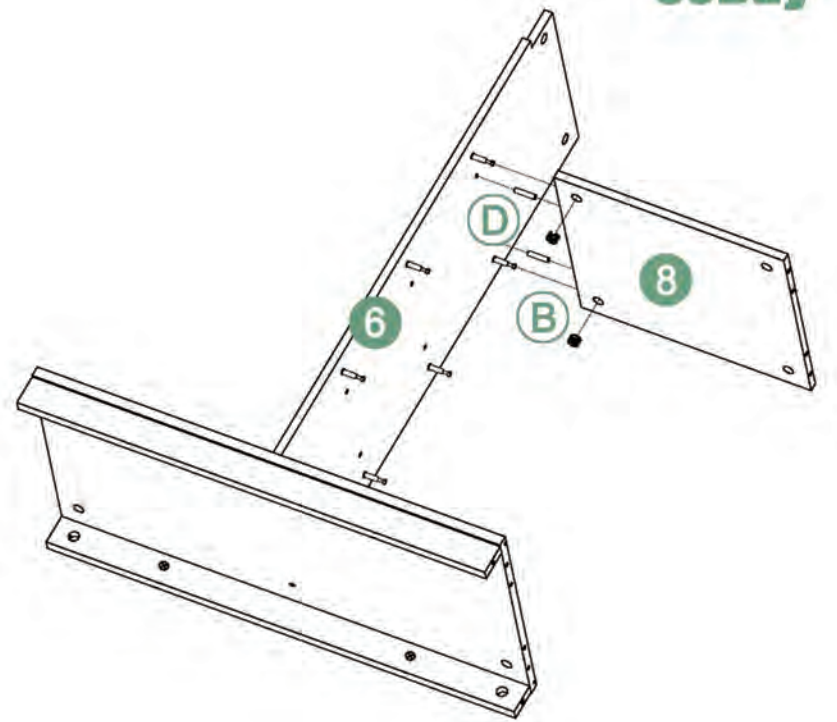
3.

4.

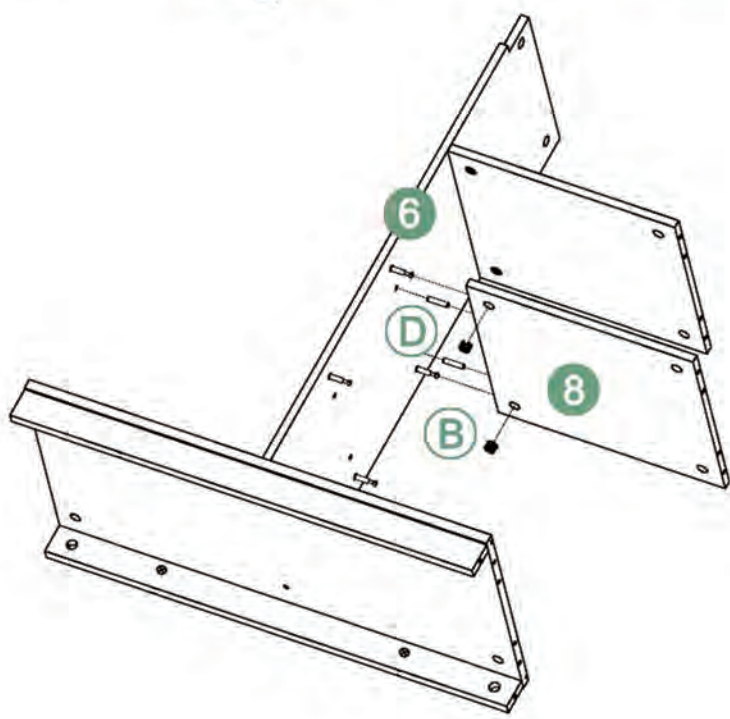
5.



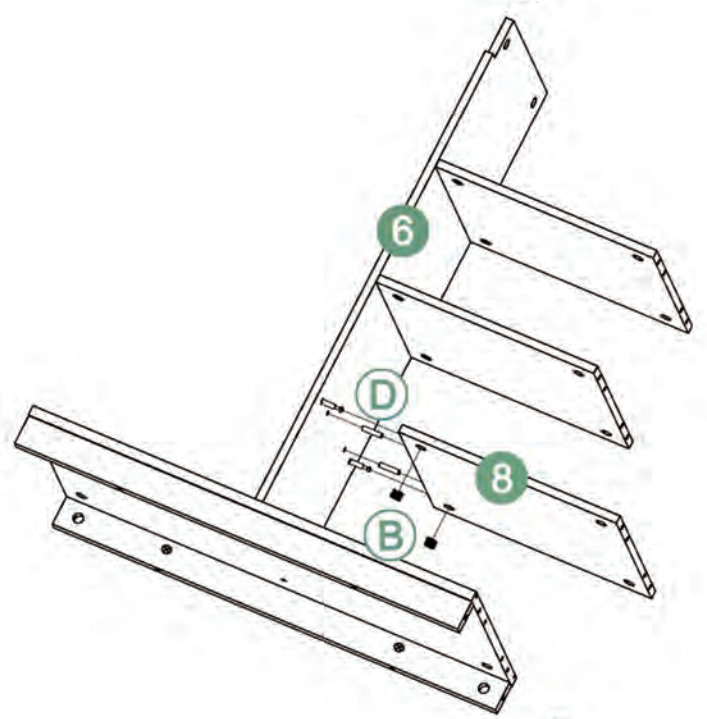
6.



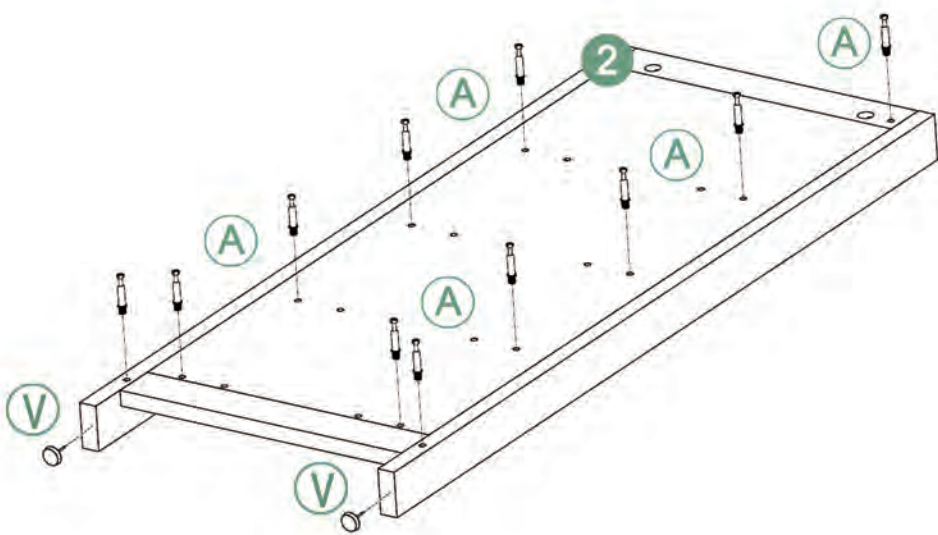
7.



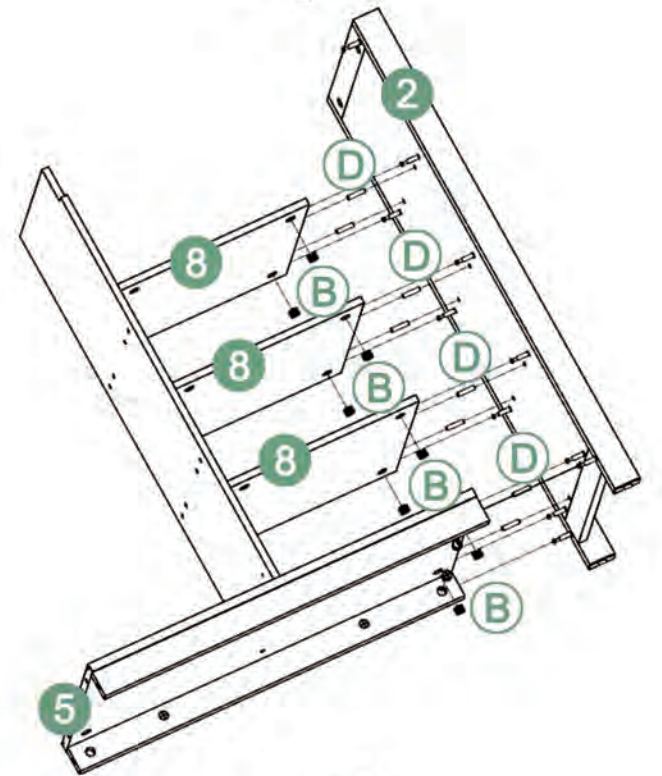
8.



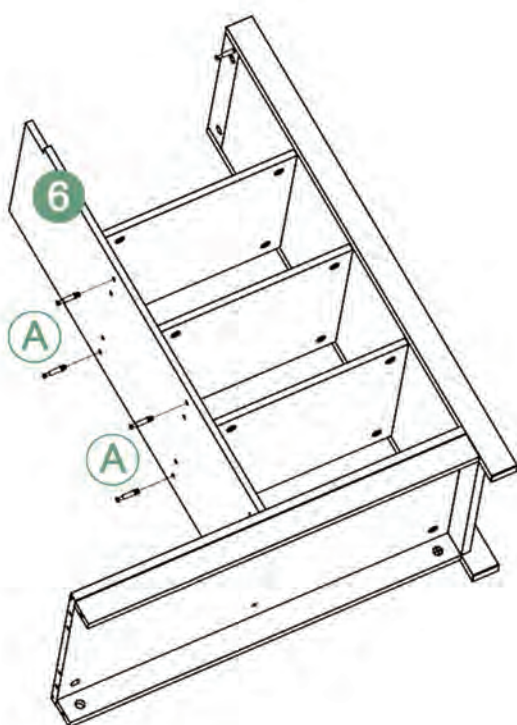
9.



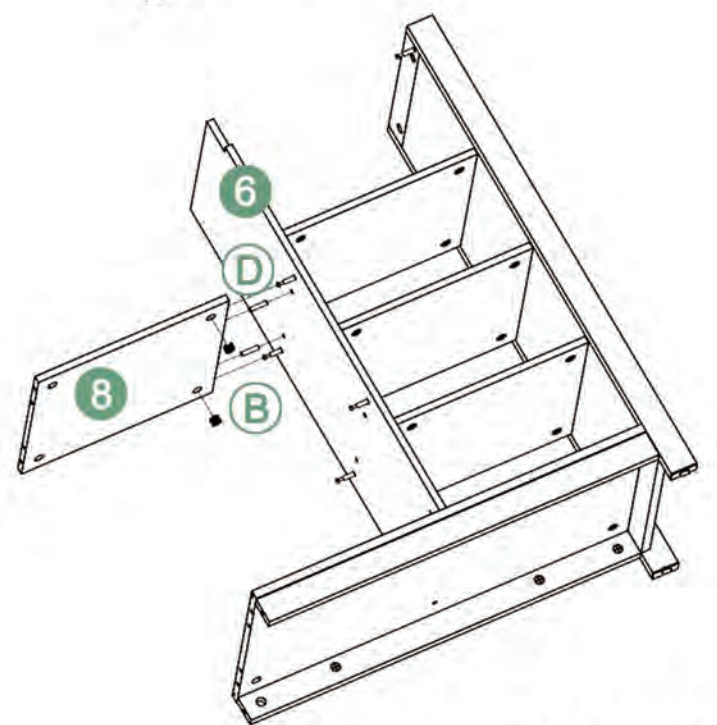
10.



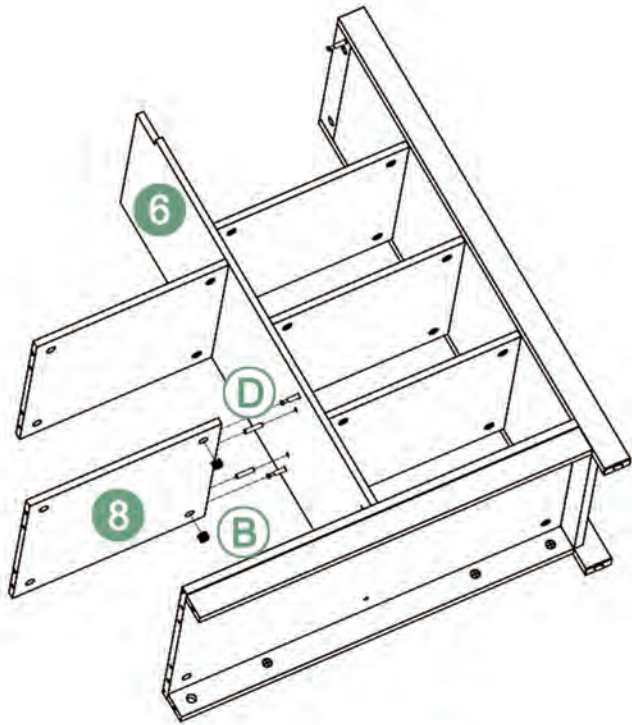
11.



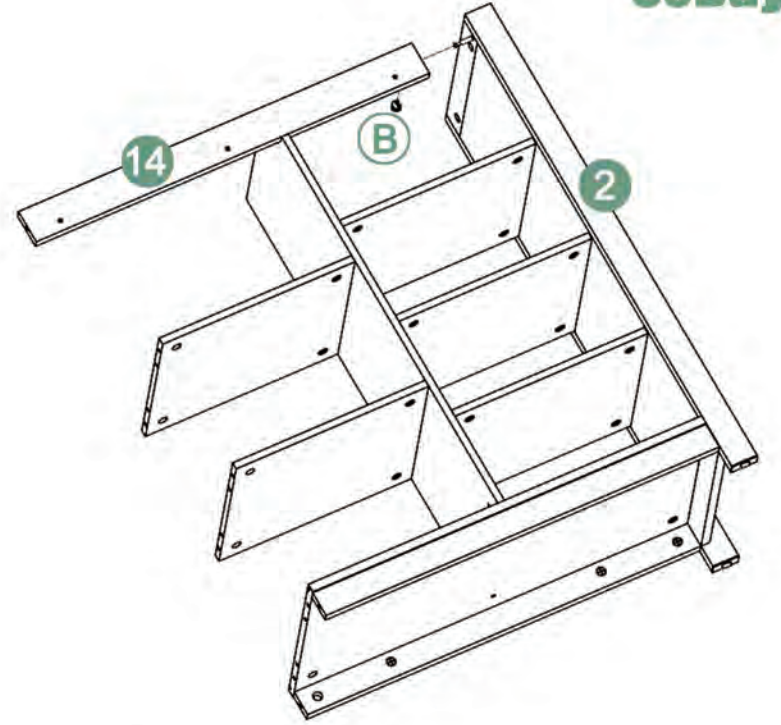
12.



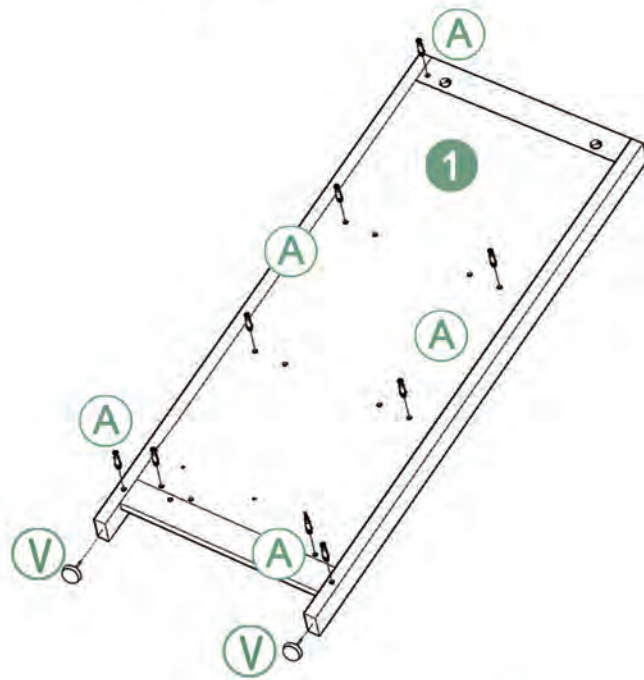
13.



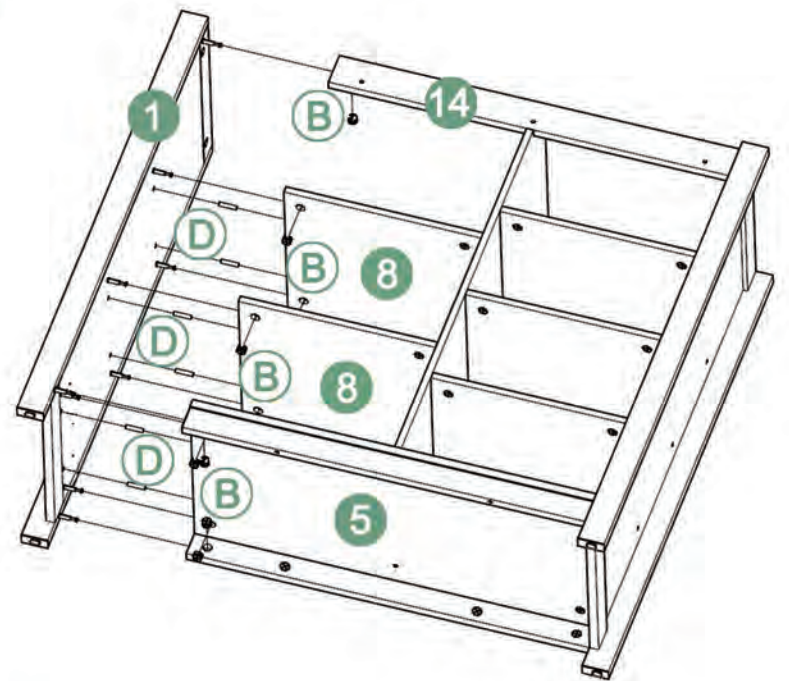
14.



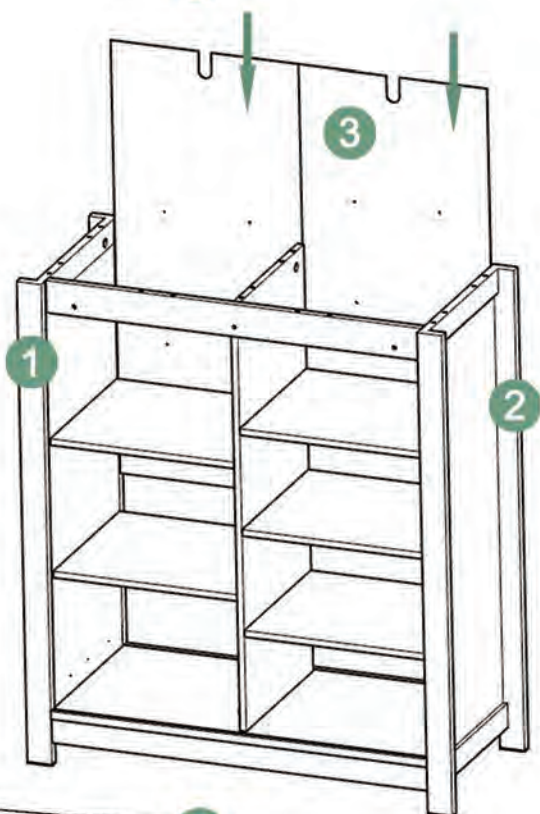
15.



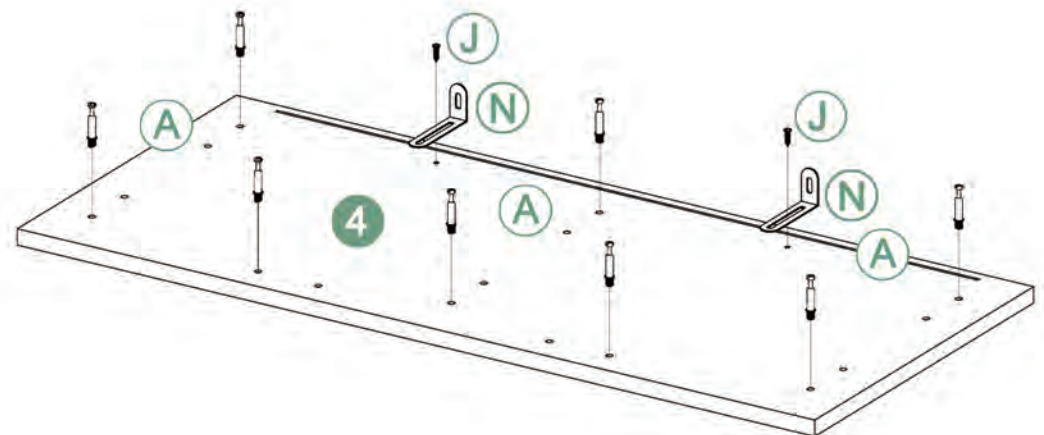
16.



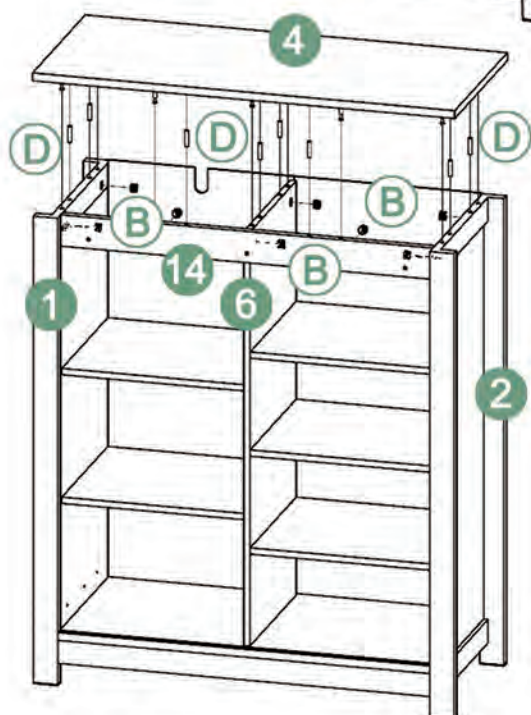
17.



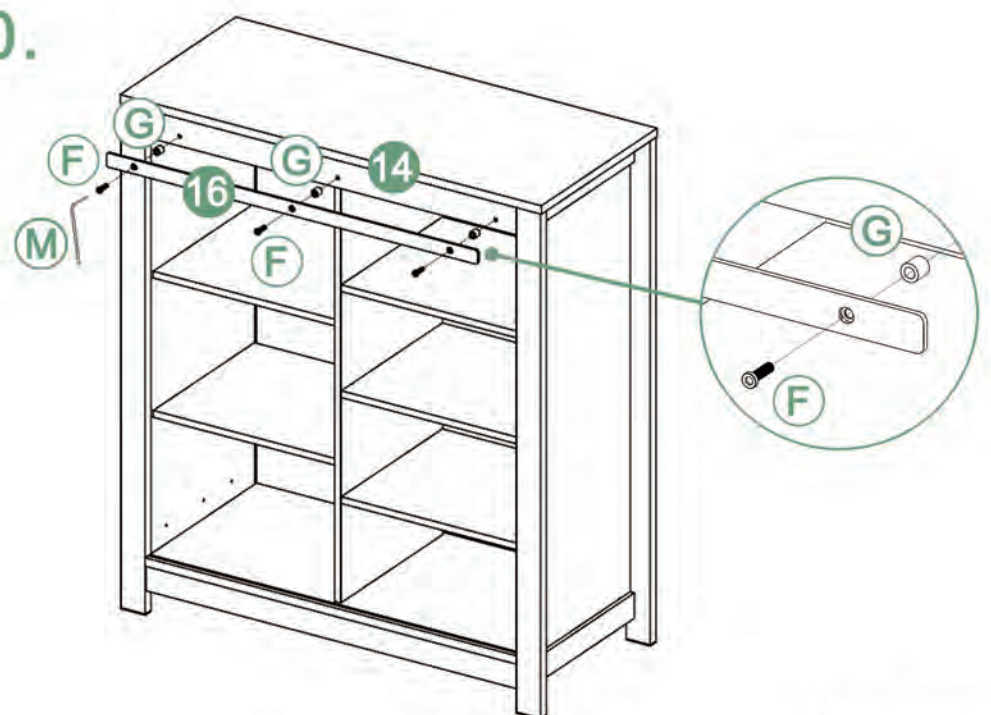
18.



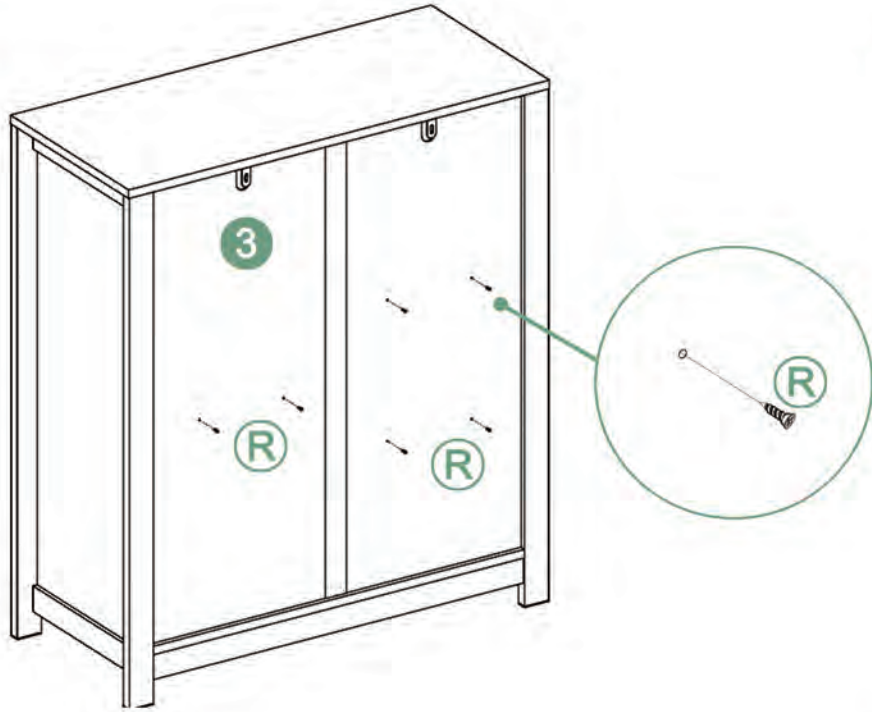
19.



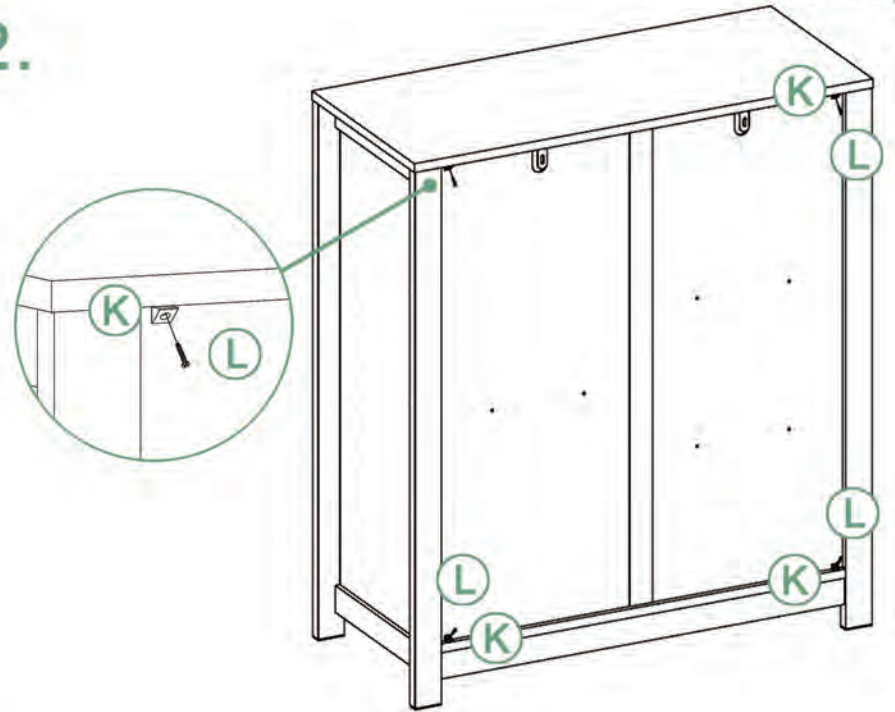
20.



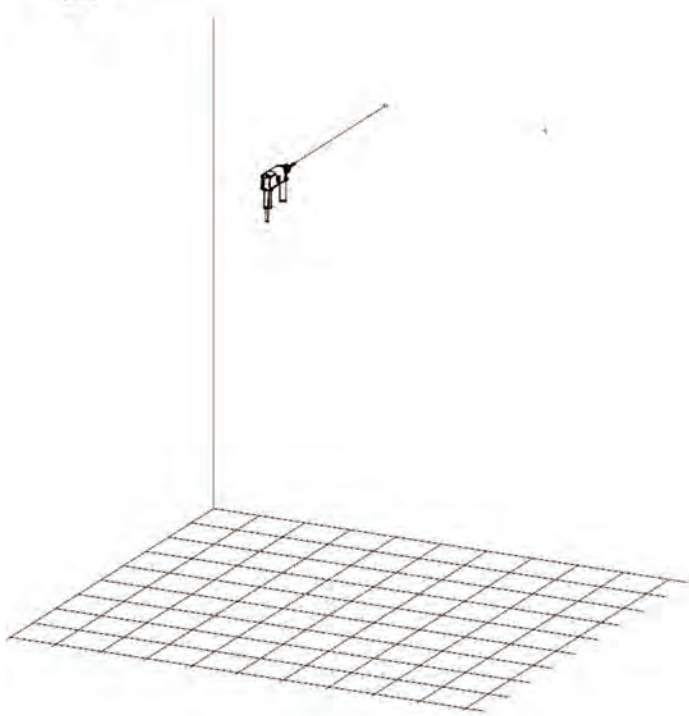
21.



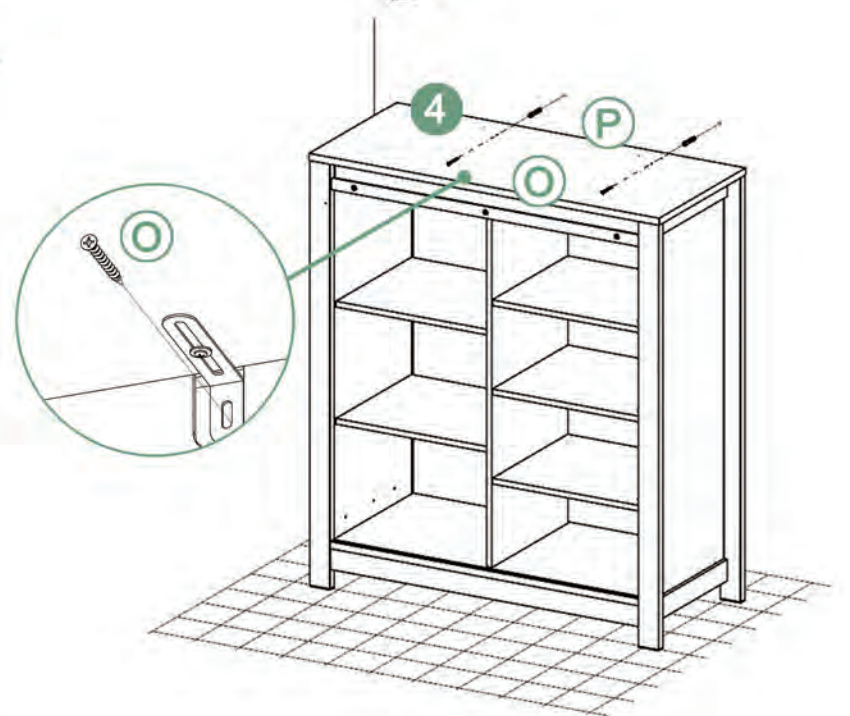
22.



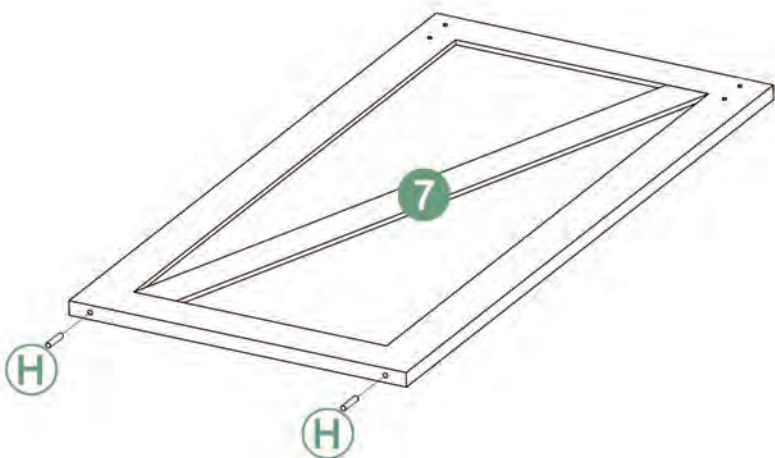
23.



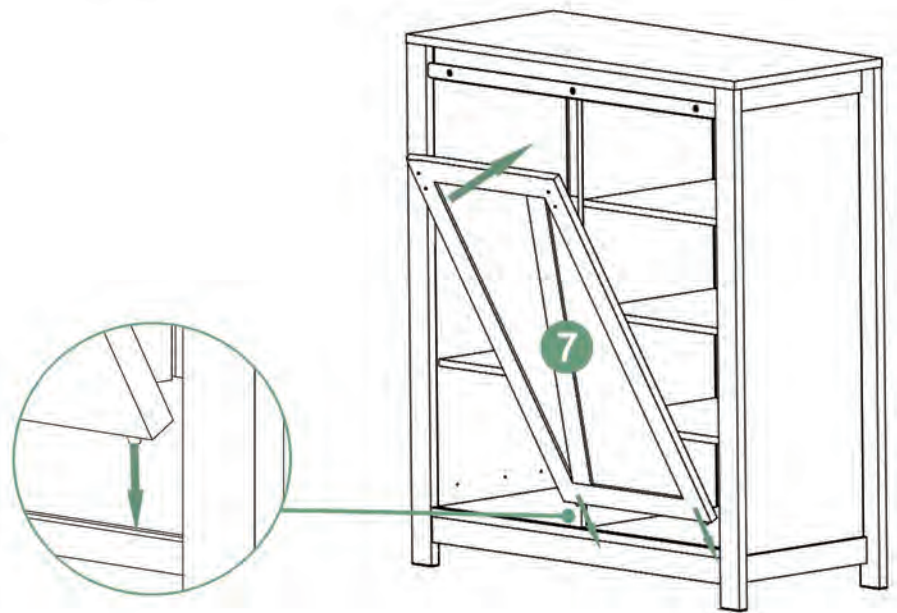
24.



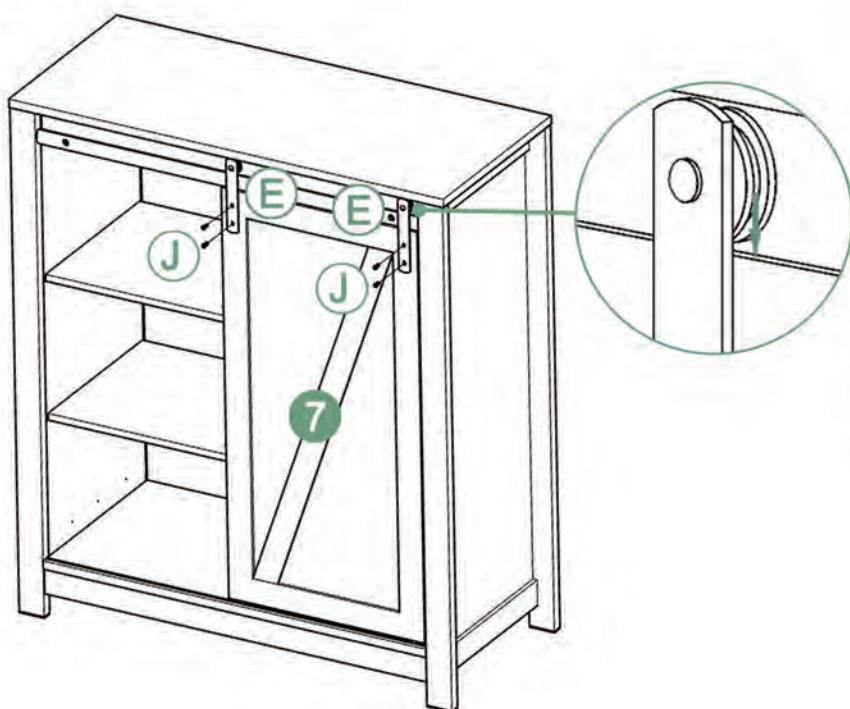
25.



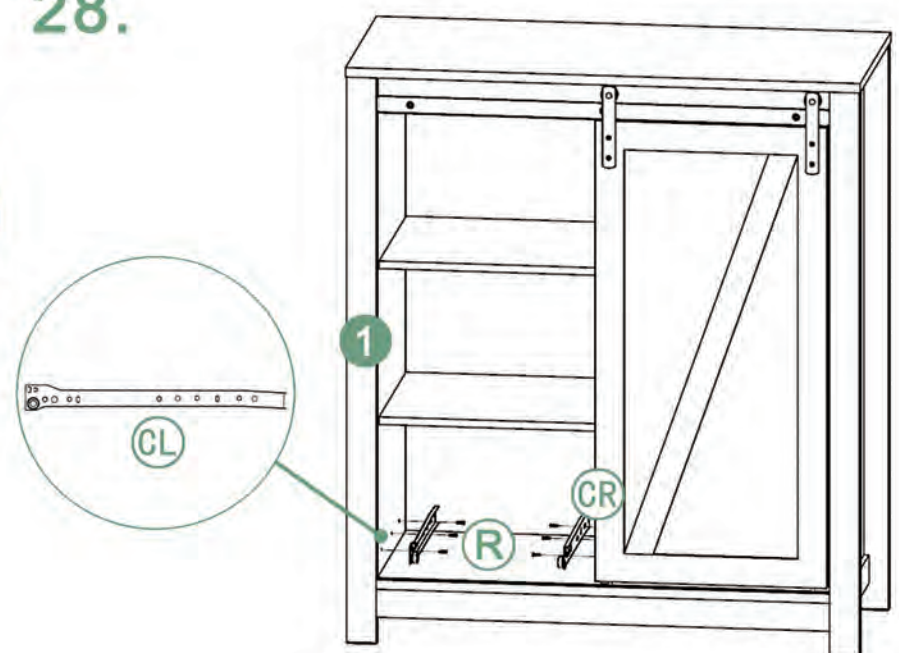
26.



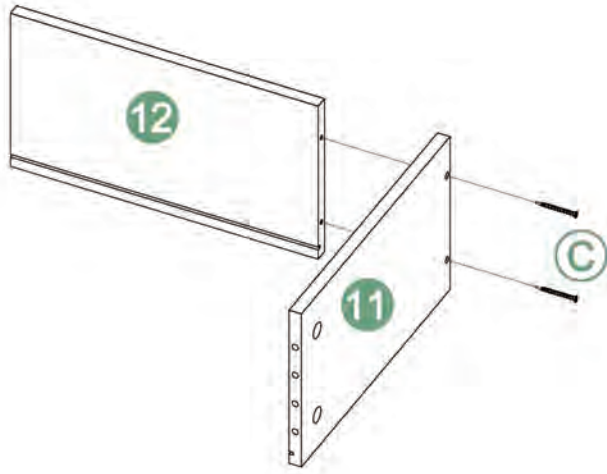
27.



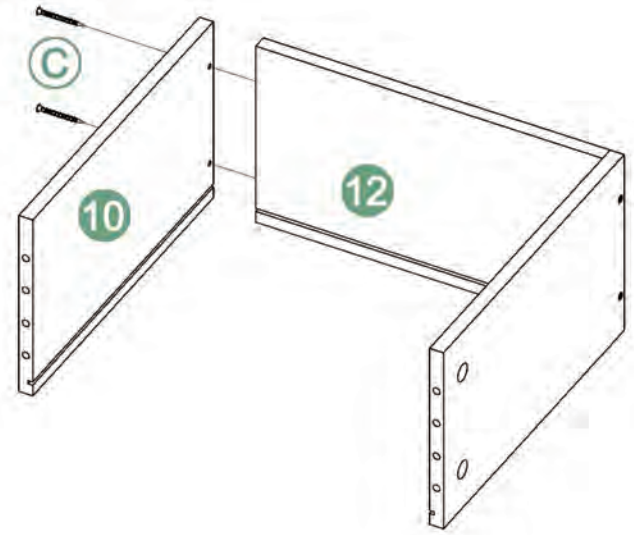
28.



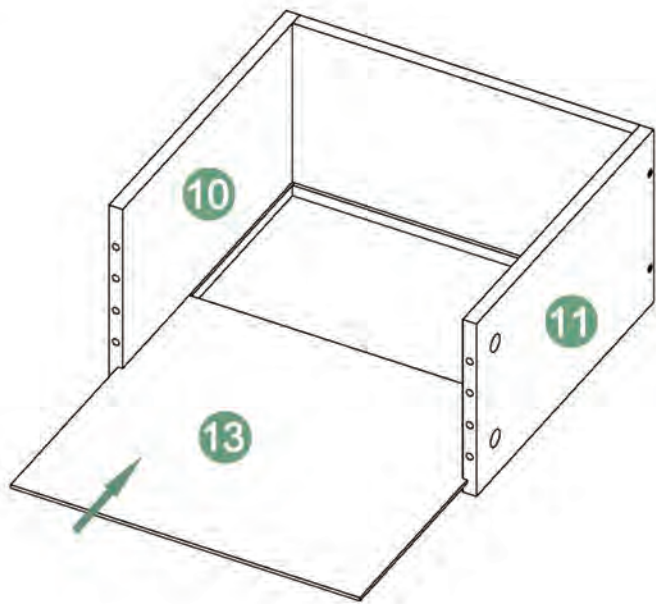
29.



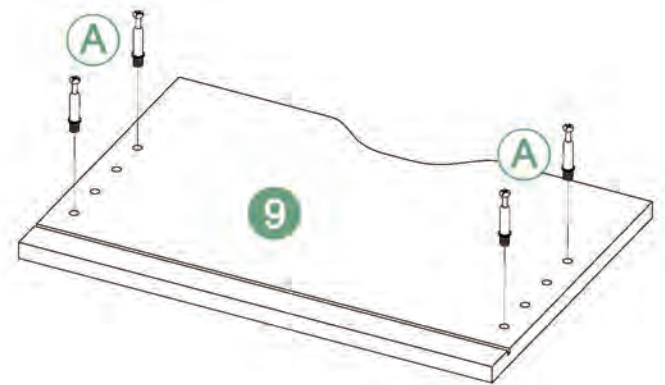
30.



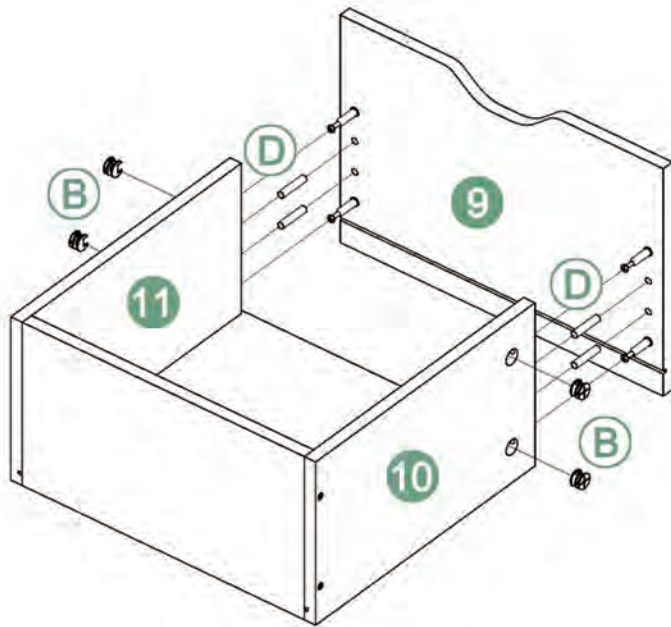
31.



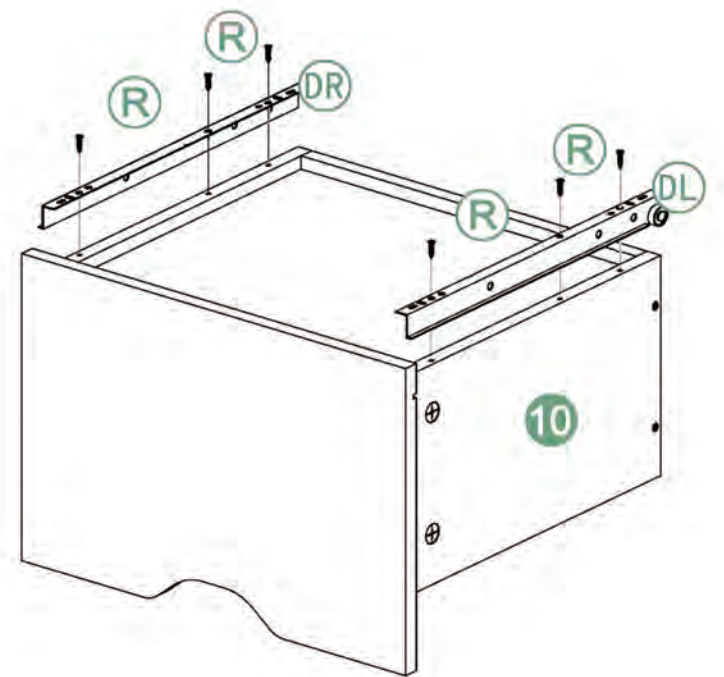
32.



33.



34.



35.

