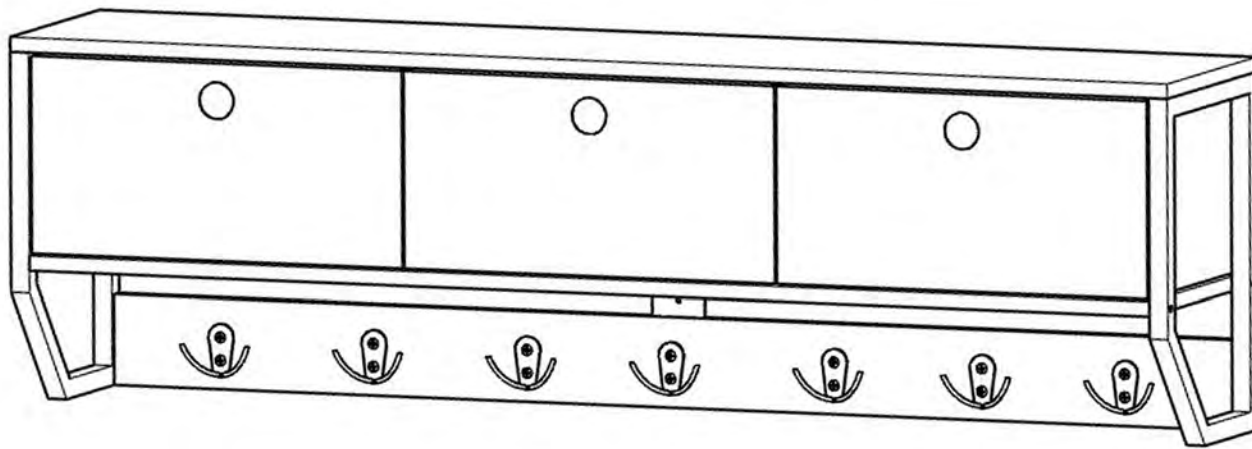




2023-02

FHK26



TOOLS:



Pour en savoir plus:
www.quefairedemesdechets.fr

1



2



3



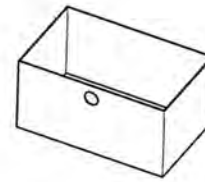
4

× 2



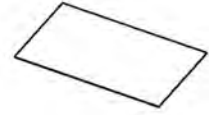
5

× 3



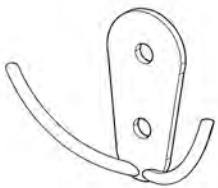
6

× 3



UNIT:MM

A
× 7



B
× 16



M4*12

C
× 8



M5*40

D
× 4



M6*25

UNIT:MM

E
× 5



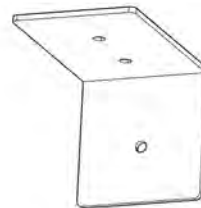
M5*45

F
× 5



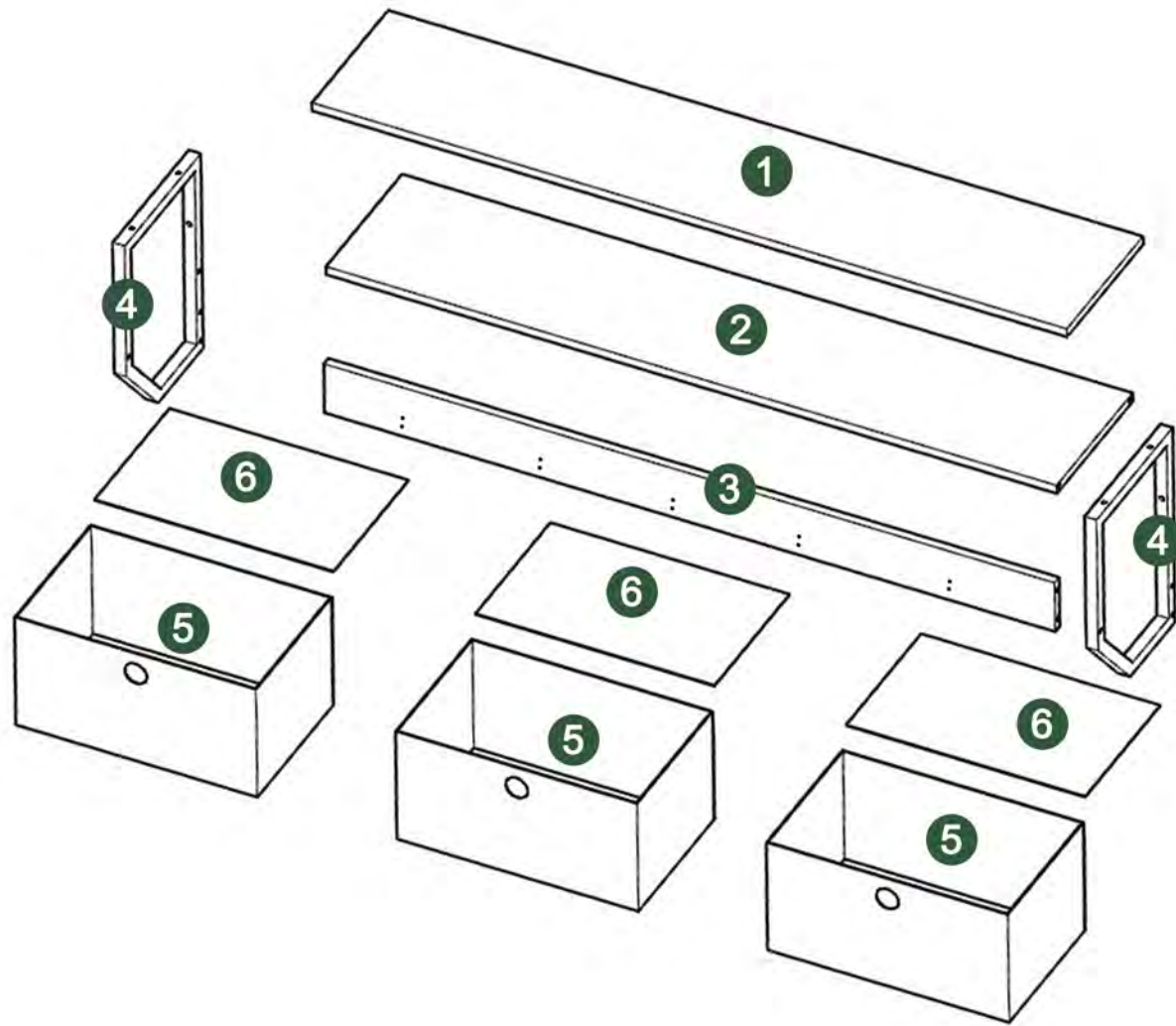
φ 7.5*40

G

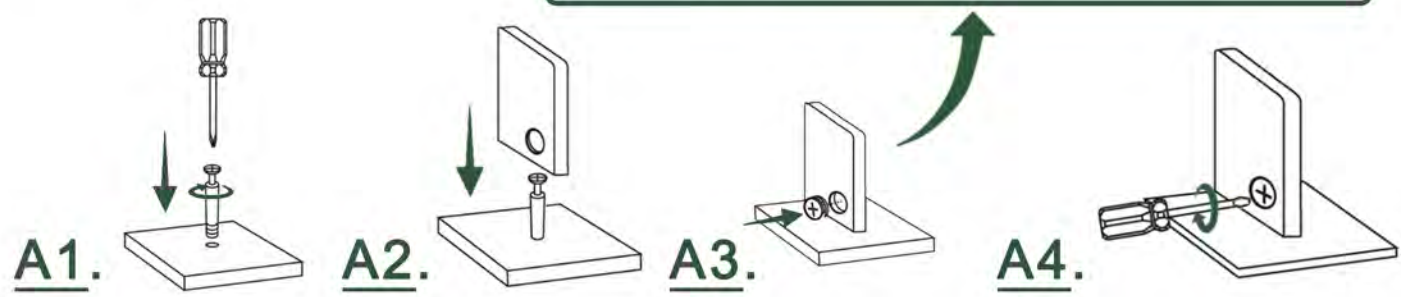
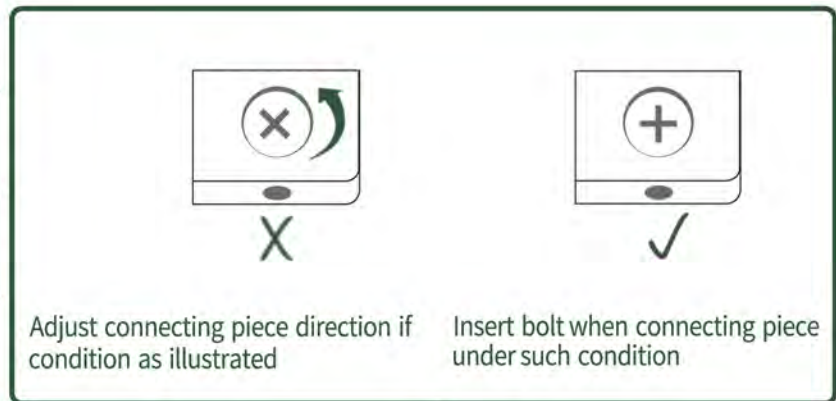


H

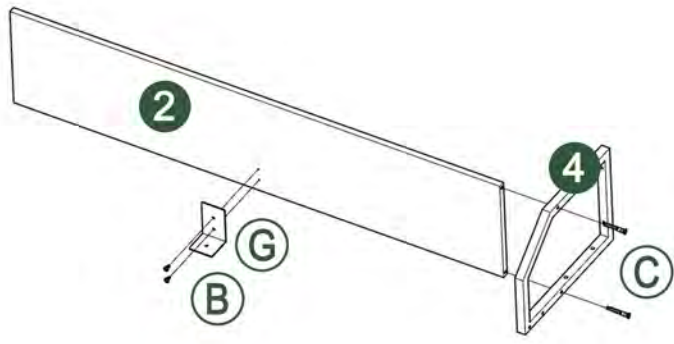




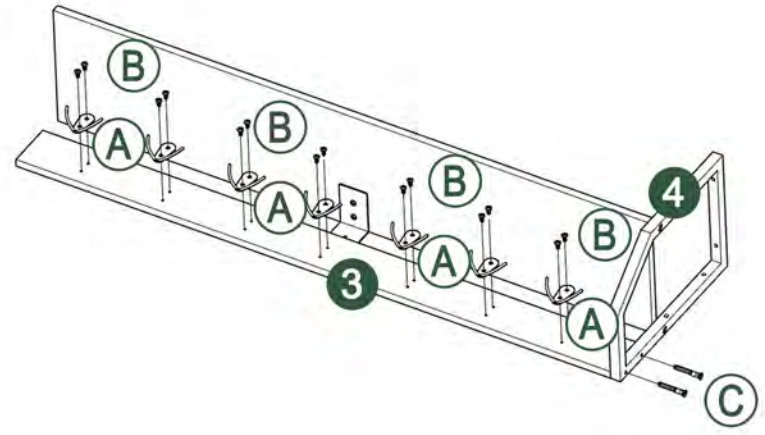
BOLT INSTALLATION AS BELOW:



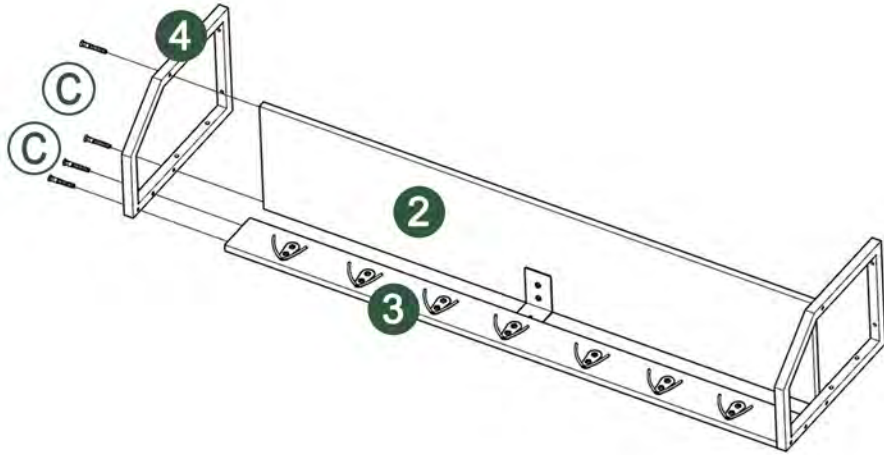
1.



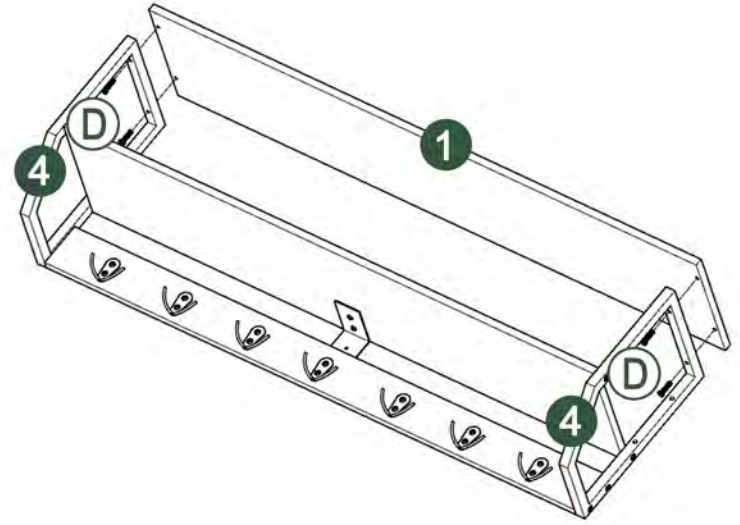
2.



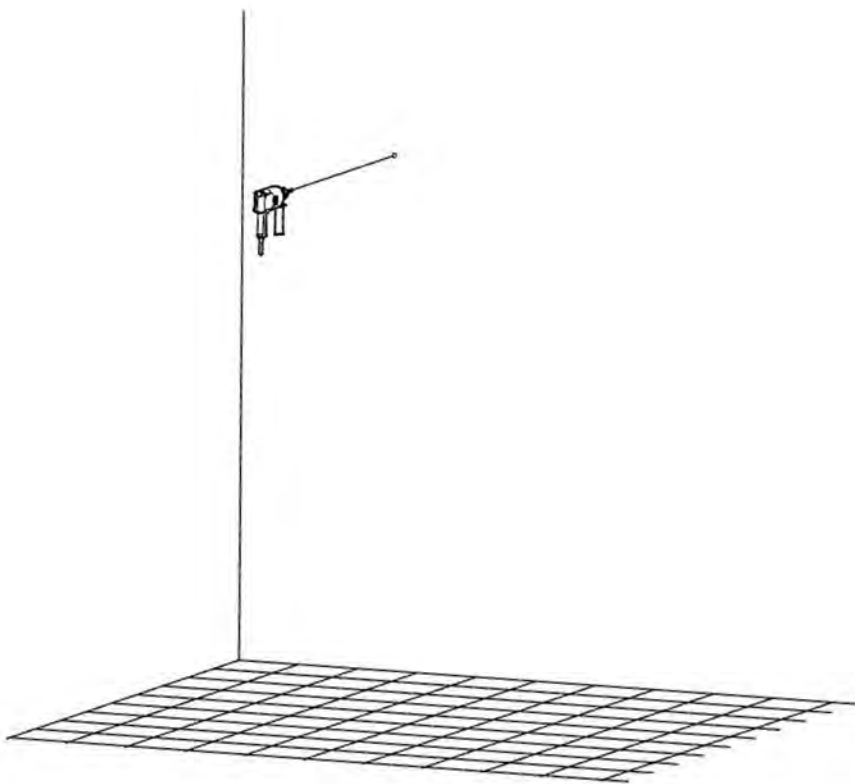
3.



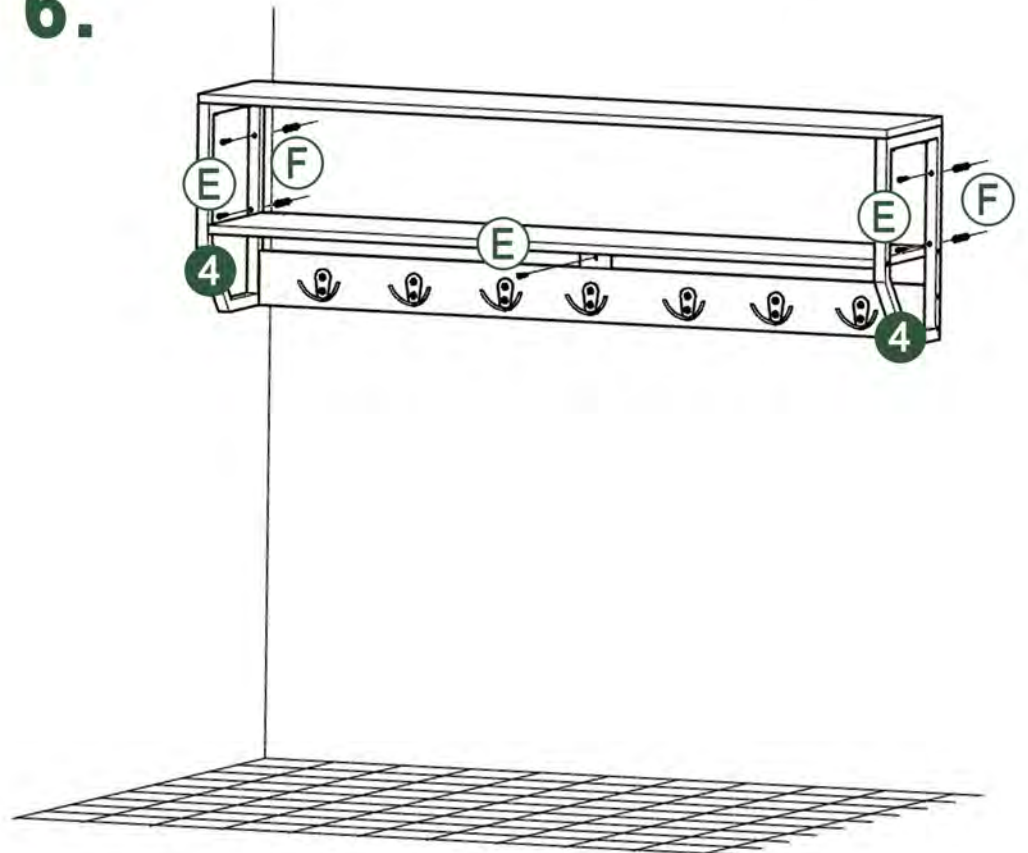
4.



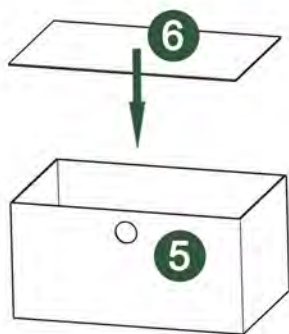
5.



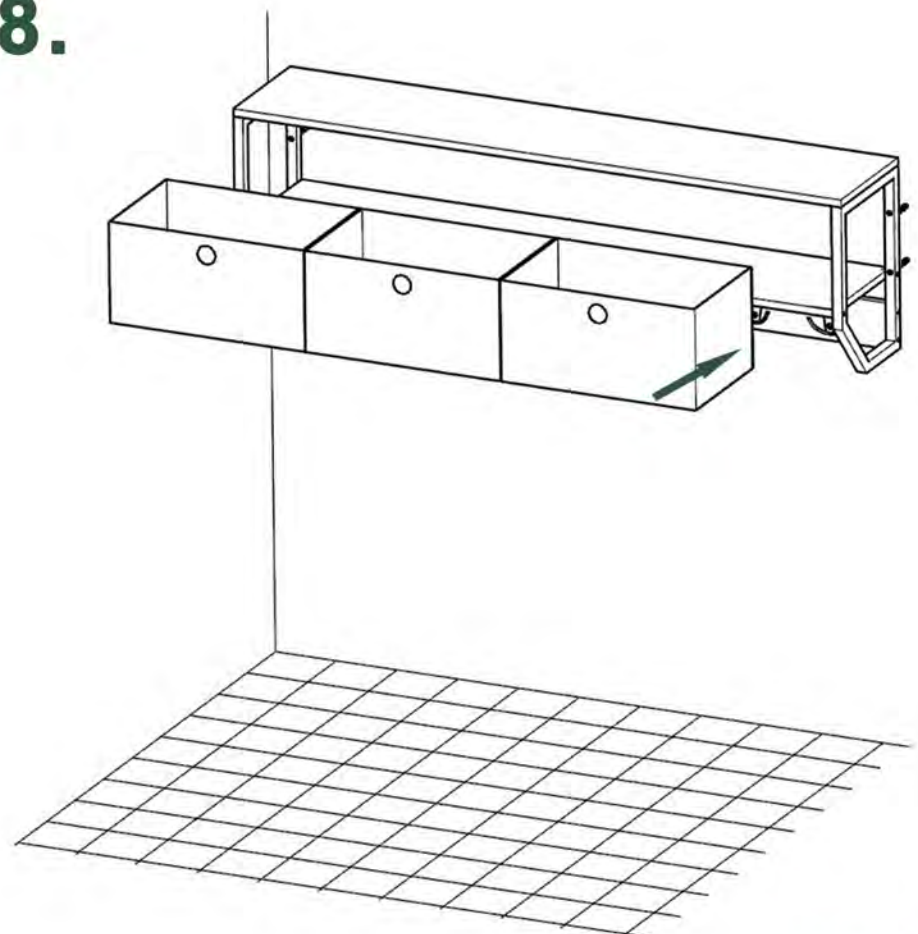
6.



7(X3).



8.





Scan the QR code to
share your review