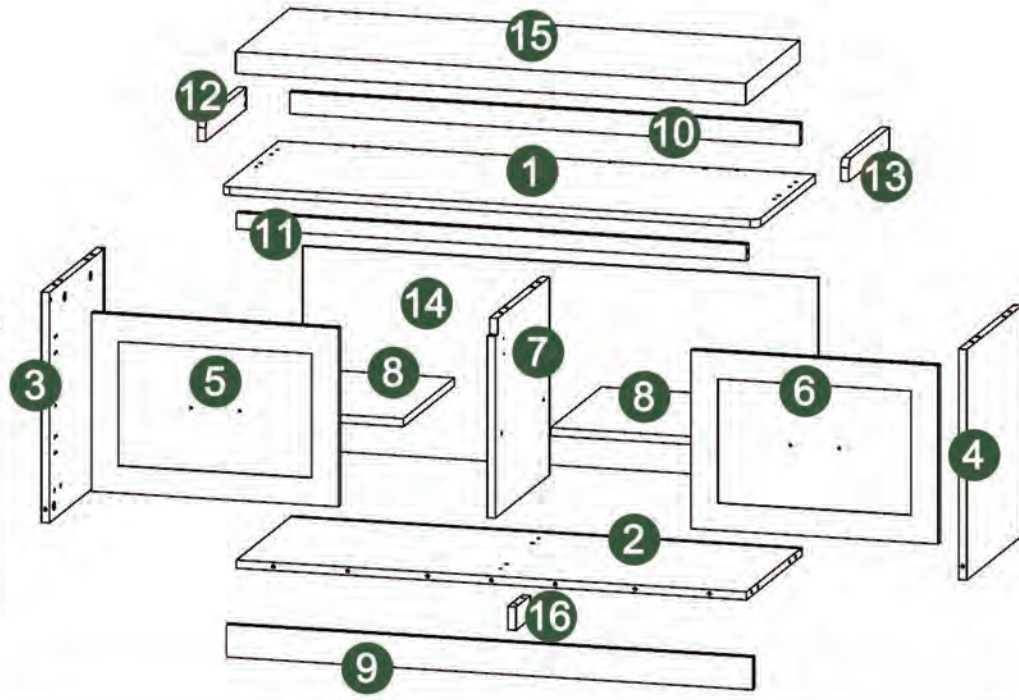
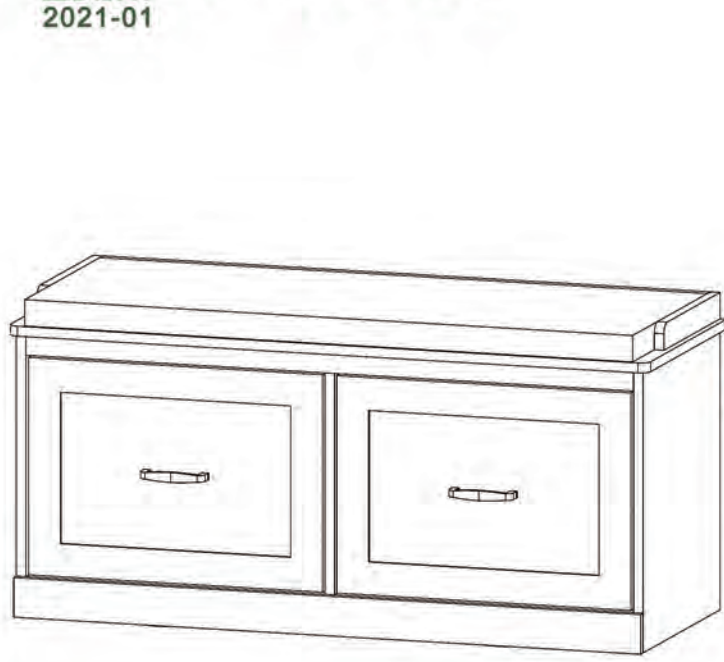




FSR131

2021-01

SoBuy®



TOOLS:



UNIT:MM

1	2	3	4	5	6	7	8 × 2
1000×380×15	950×370×15	425×370×15	425×370×15	461×329×15	461×329×15	365×360×15	465×340×15

UNIT:MM

9	10	11	12	13	14	15	16
980×60×12	950×40×15	950×30×15	270×40×15	270×40×15	960×375×5	950×360×40	97×43×15

UNIT:MM

A × 16	B × 16	C × 29	D × 16	E × 24	F × 6	G × 6
M6×35	φ 15×10	φ 6×30	M4×35	M3.5×12		M3×14



Pour en savoir plus:
www.quefairede mesdechets.fr

Stand:12.2021

UNIT:MM

H × 2
 J × 4
 K × 4
 L × 2
 M × 4
 N × 8
 O × 7

M3 × 10 M4 × 14

BOLT INSTALLATION AS BELOW:

BOLT
Connecting piece

X

✓

Adjust connecting piece direction if condition as illustrated Insert bolt when Connecting piece under Such condition

A1.

A2.

A3.

A4.

BACKPLATE BUCKLE INSTALLATION AS BELOW:

B1.

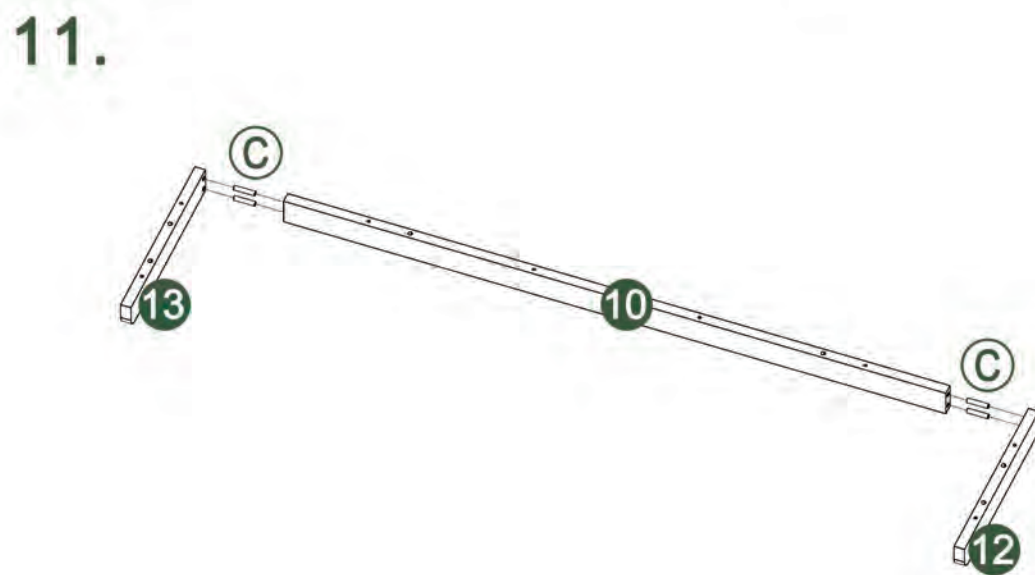
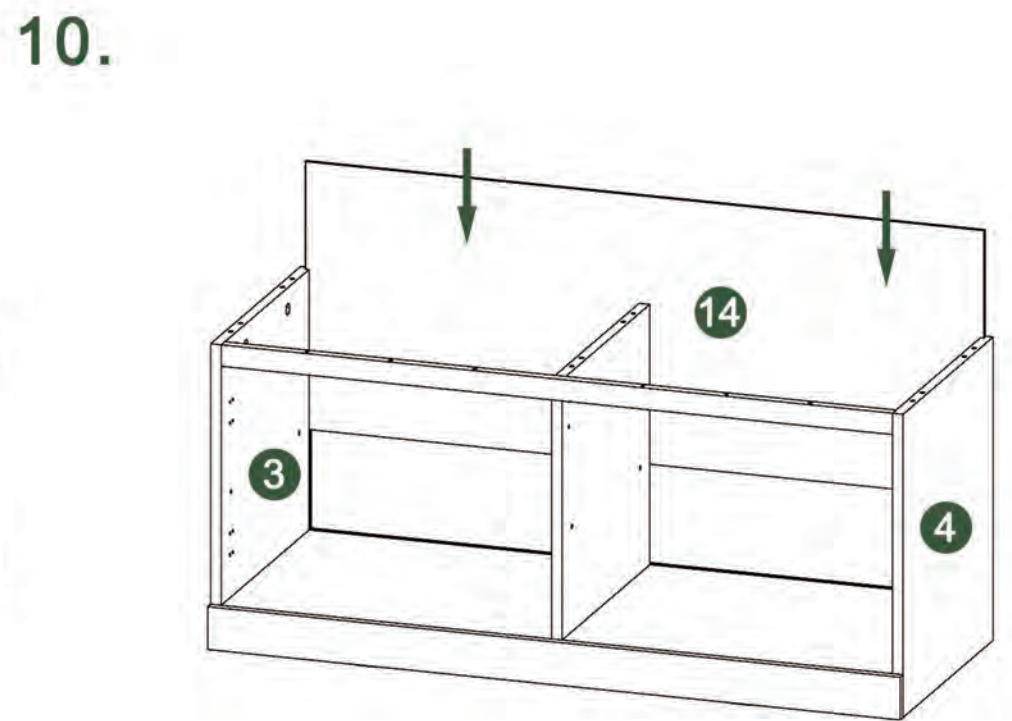
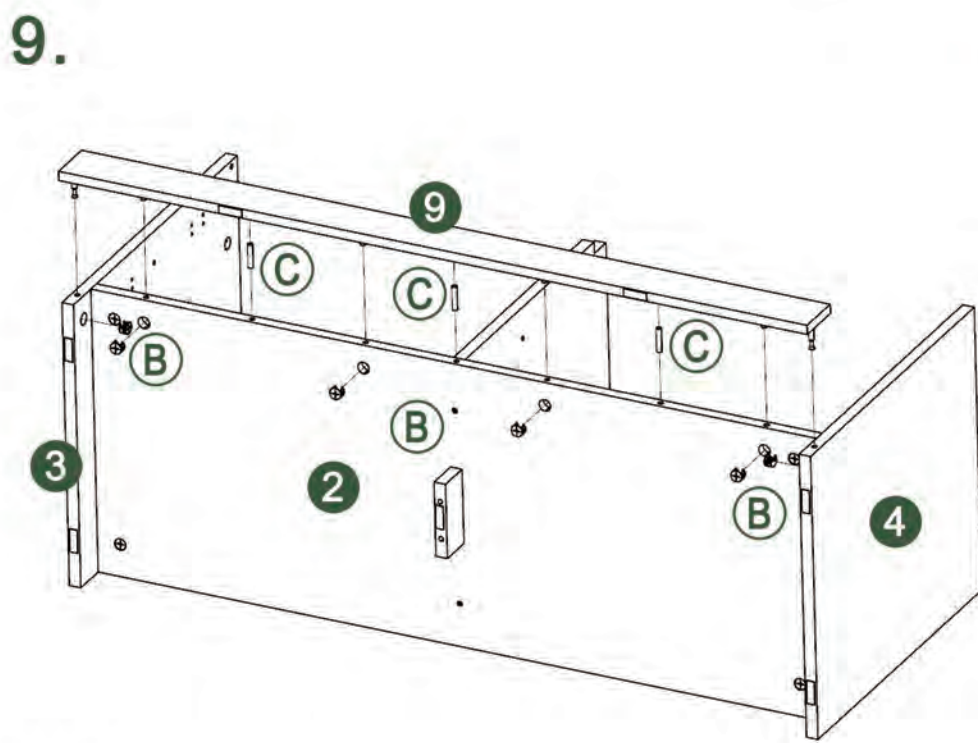
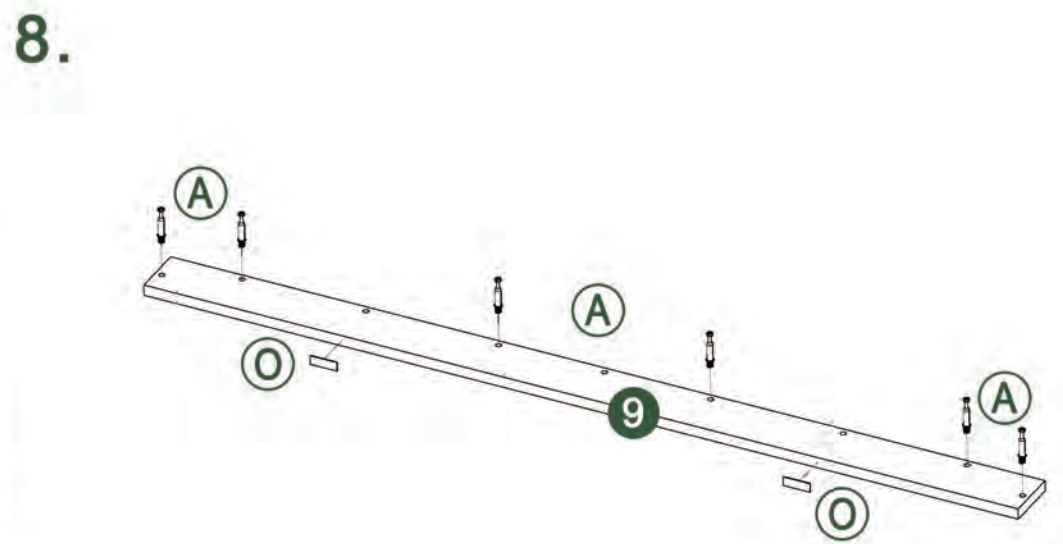
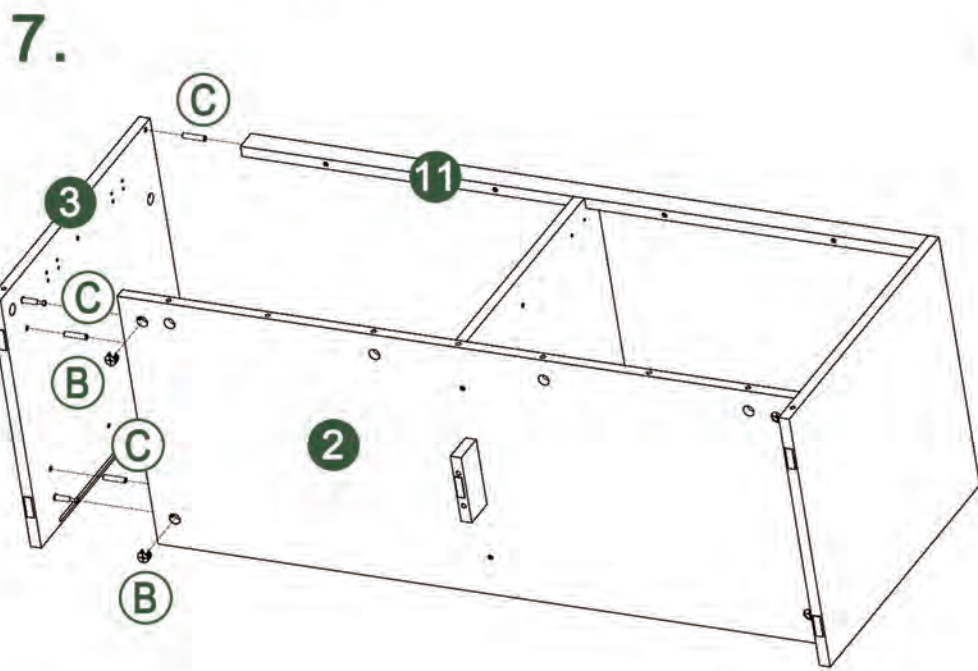
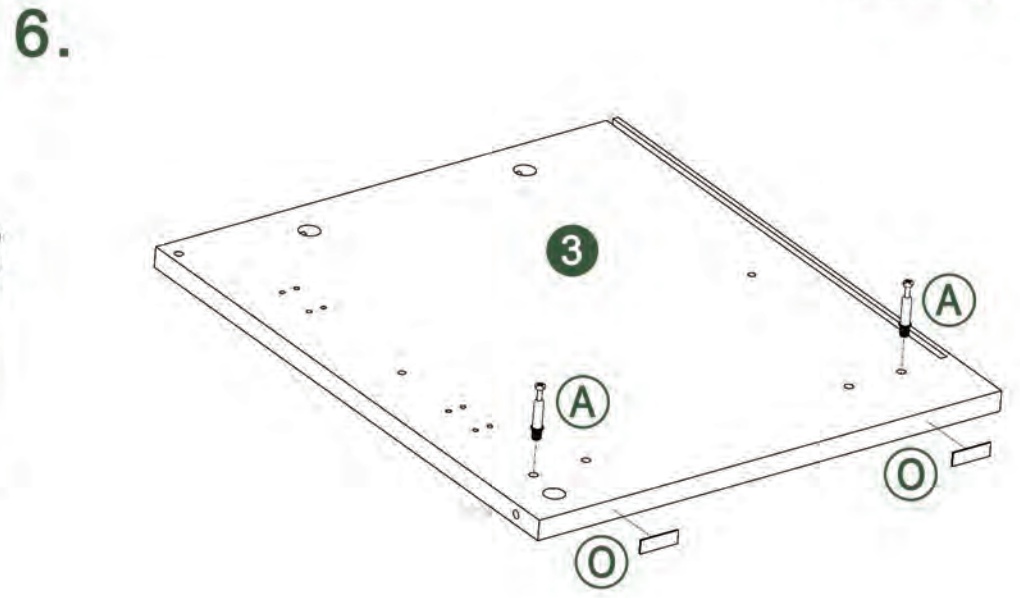
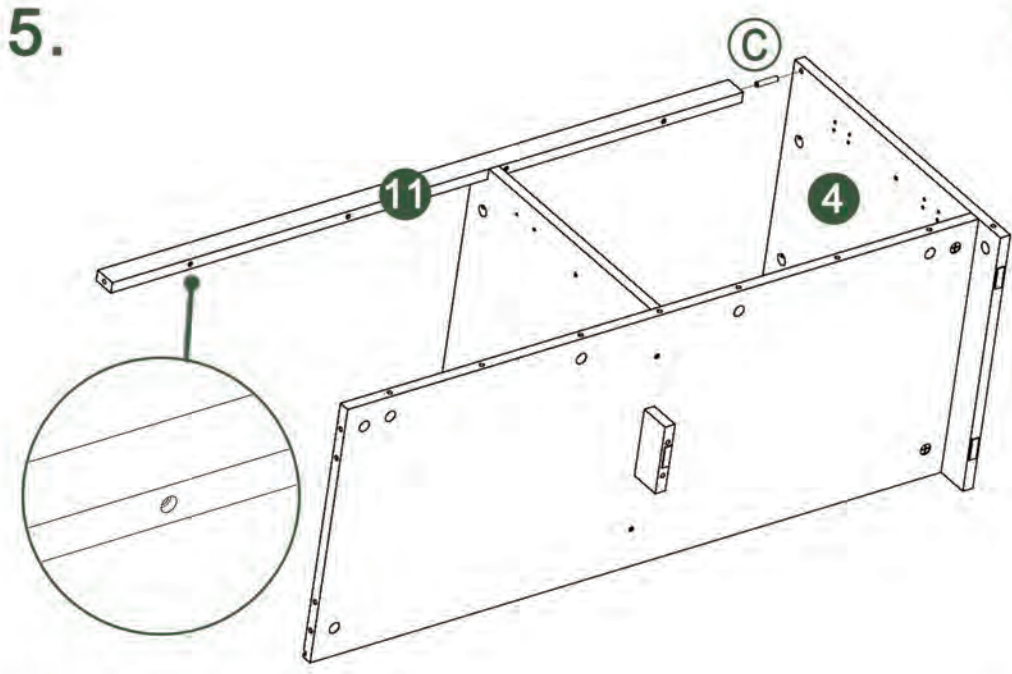
B2.

1.

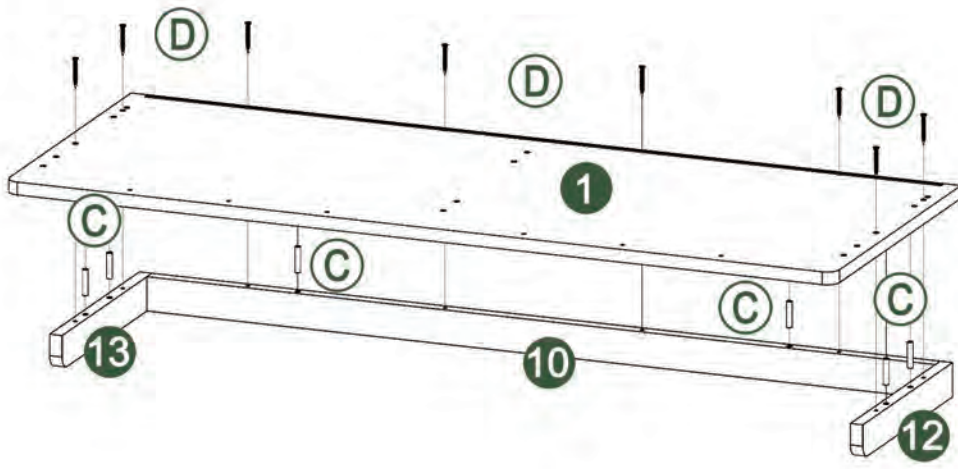
2.

3.

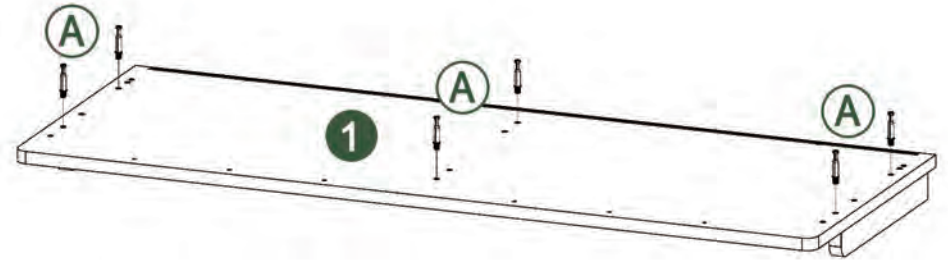
4.



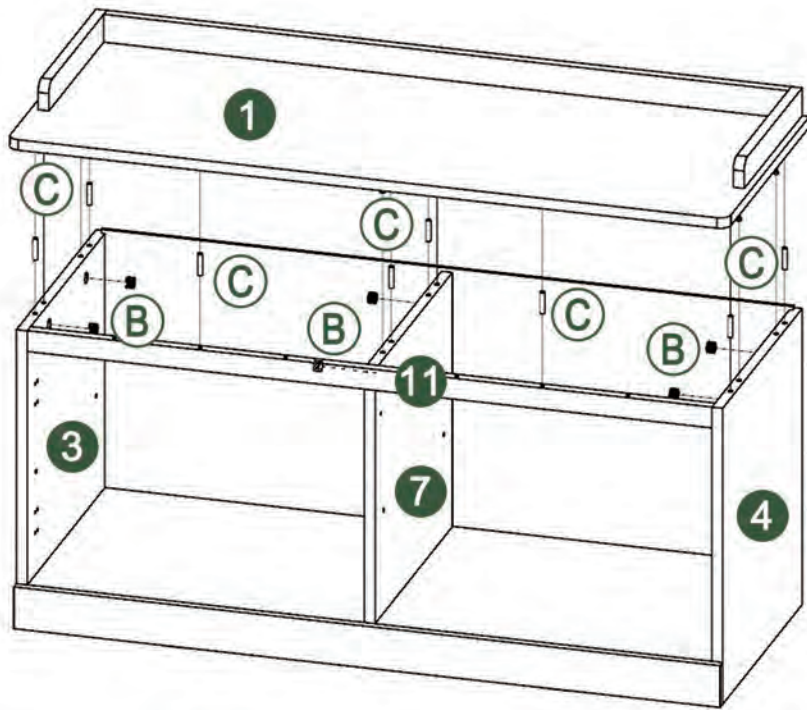
12.



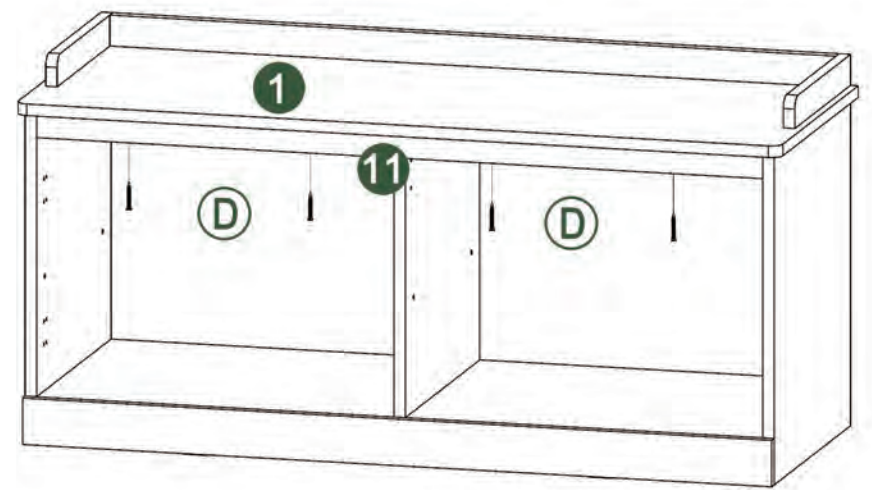
13.



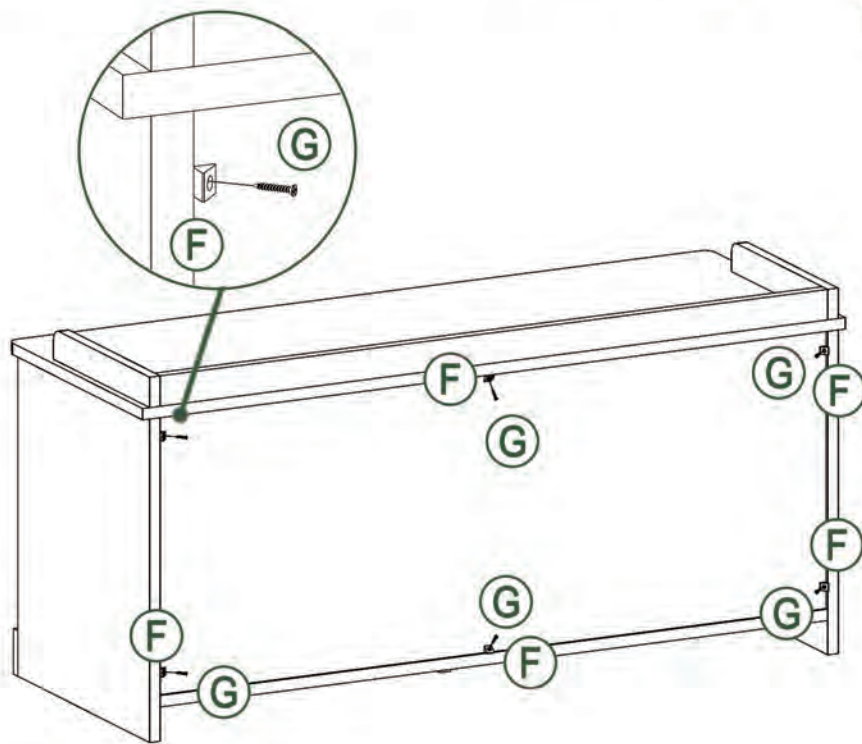
14.



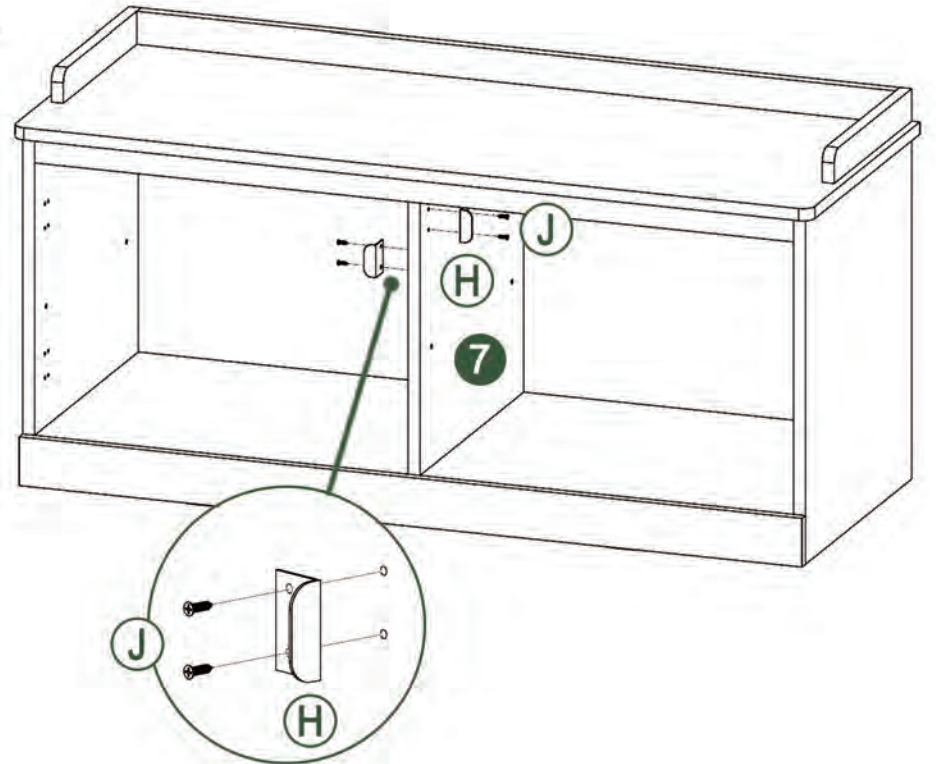
15.



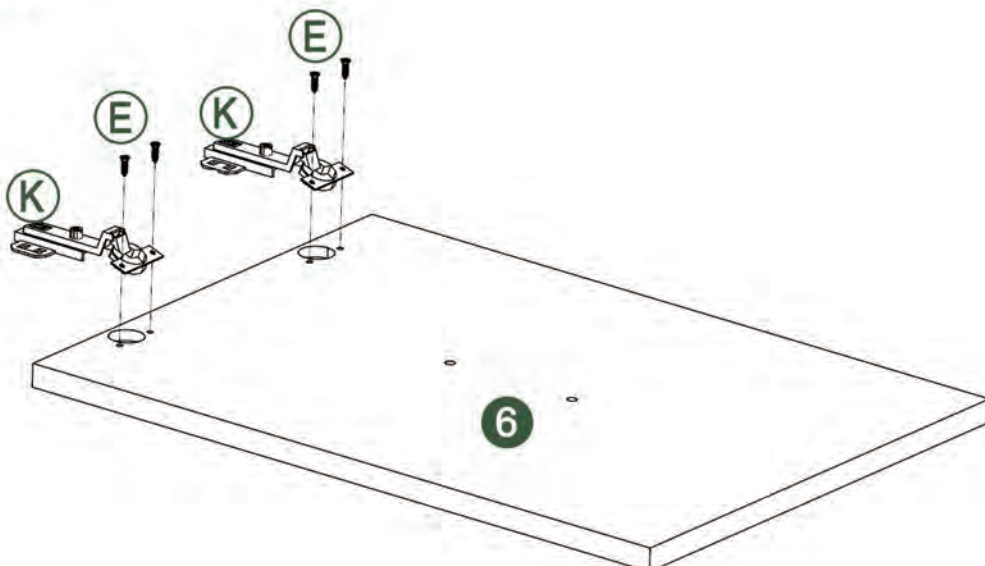
16.



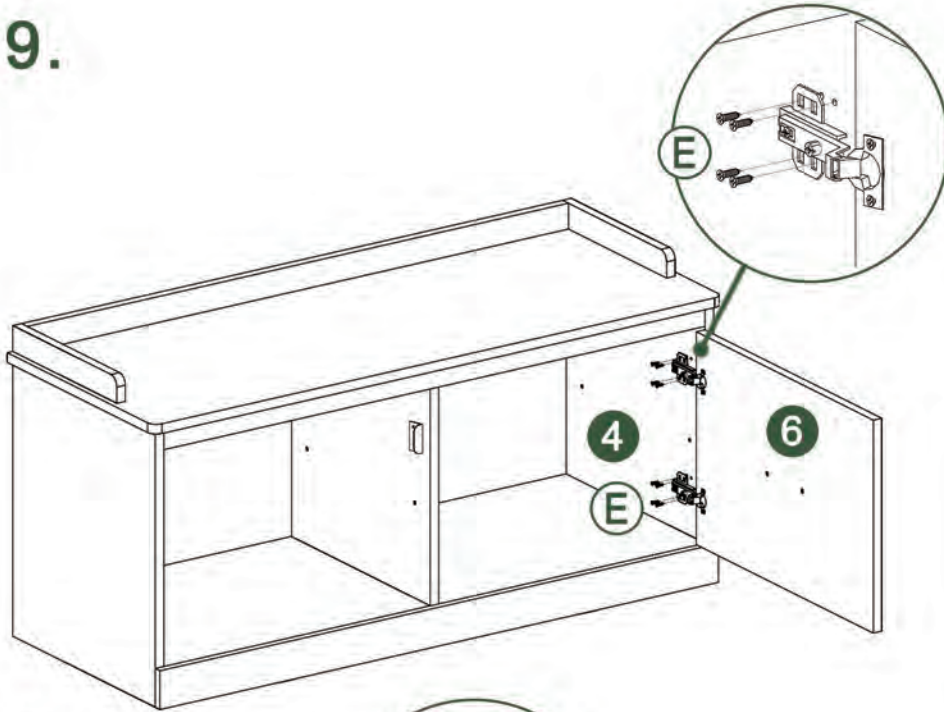
17.



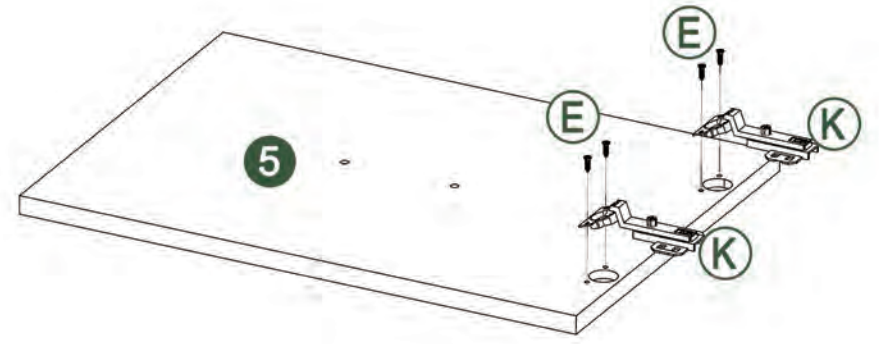
18.



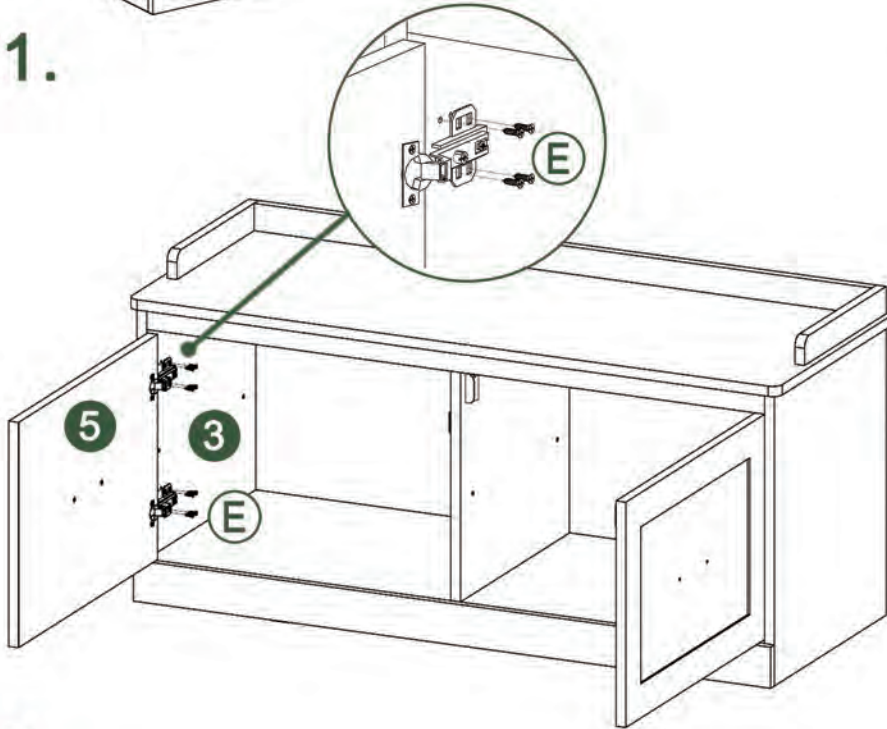
19.



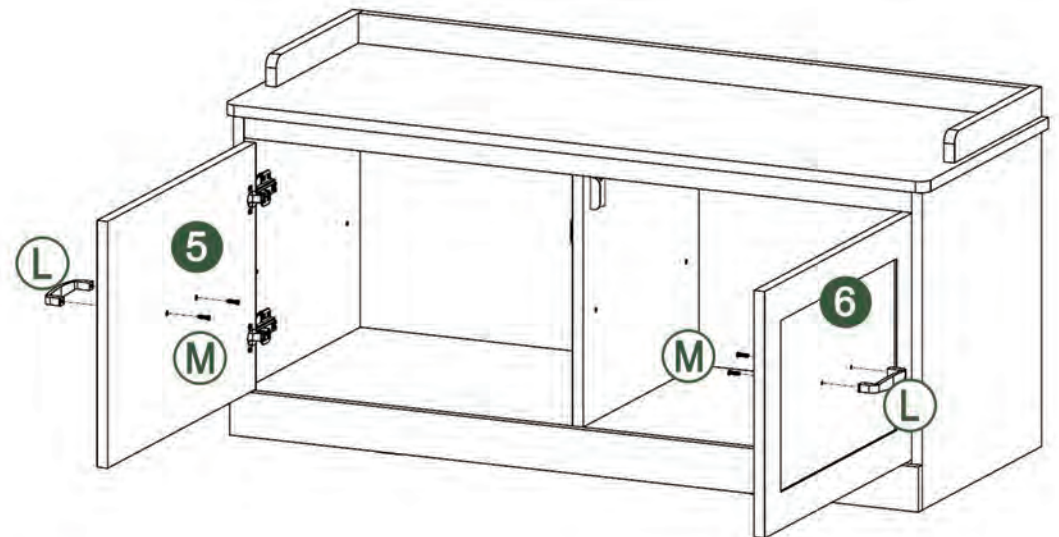
20.



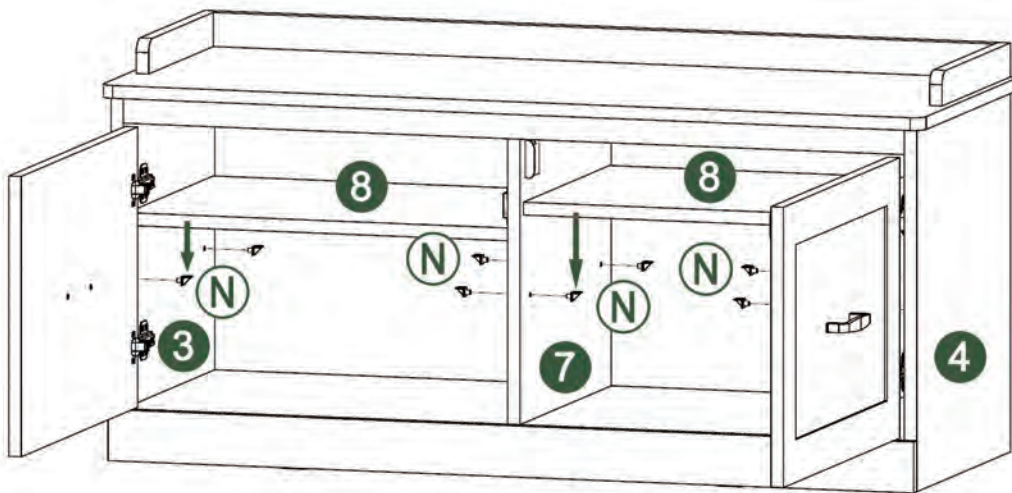
21.



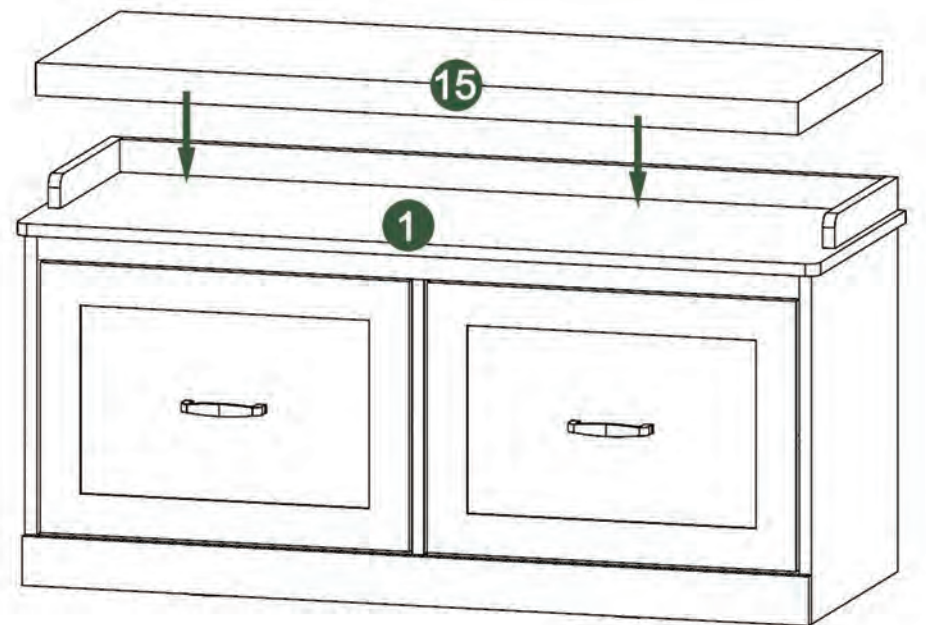
22.



23.



24.



25.

