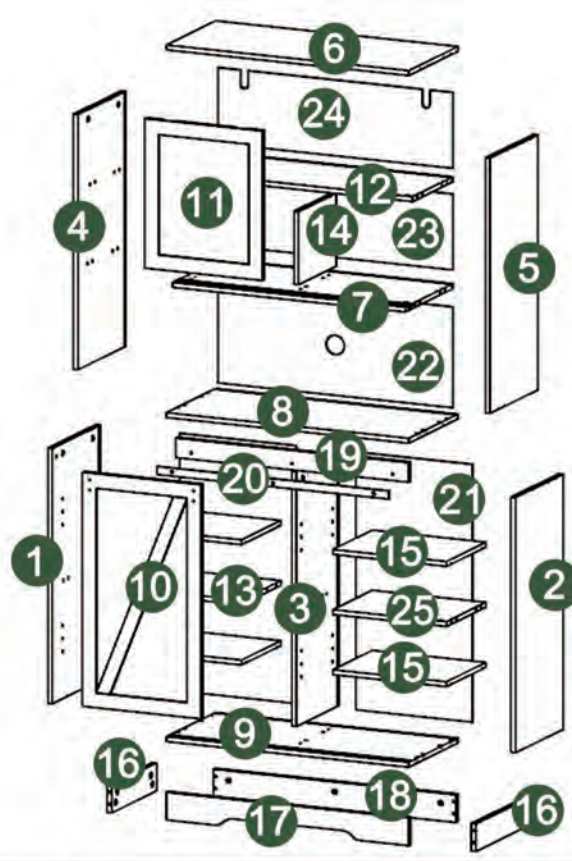
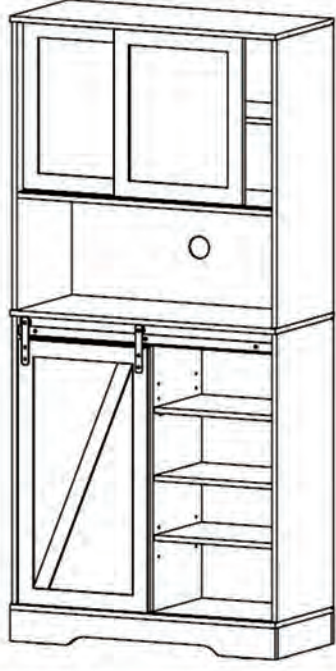




FSB83

2023-01

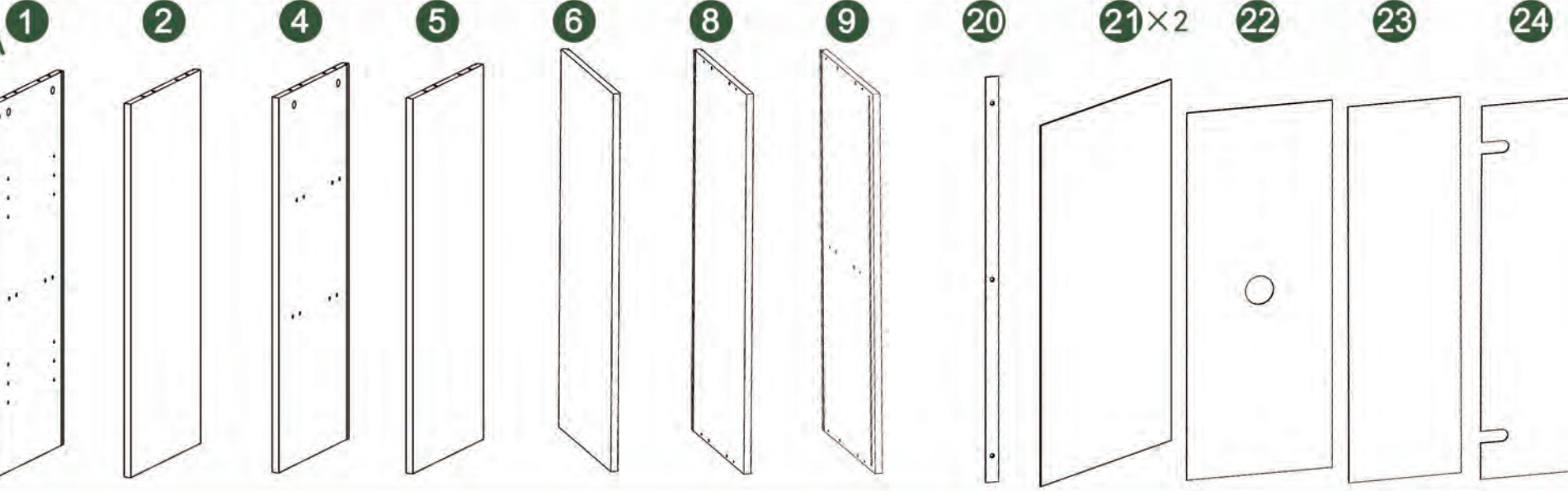


SoBuy

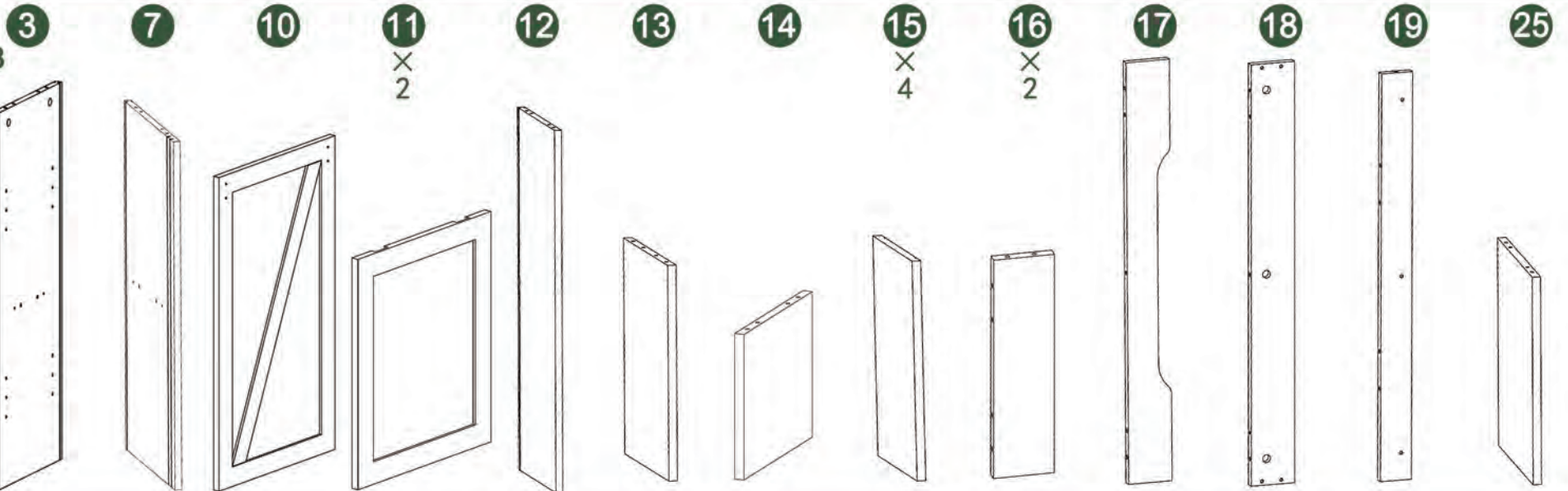
TOOLS:



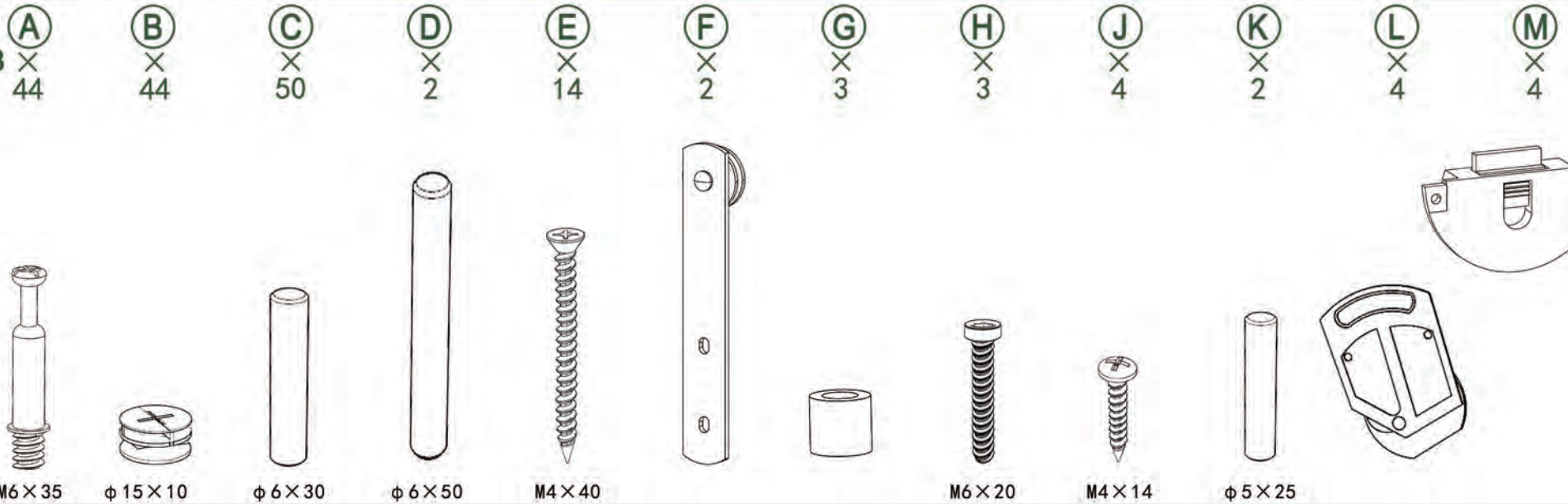
UNIT:MM
PACKAGE-A



UNIT:MM
PACKAGE-B



UNIT:MM
PACKAGE-B



Pour en savoir plus:
www.quefairedemesdechets.fr

Stand:04.2023

UNIT:MM

N × 16	O × 16	P × 20	Q × 20	R × 2	S × 2	T × 2	U × 6	V × 8	W
------------------	------------------	------------------	------------------	-----------------	-----------------	-----------------	-----------------	-----------------	----------

BOLT INSTALLATION AS BELOW:

	BOLT
	Connecting piece

Adjust connecting piece direction if condition as illustrated

Insert bolt when Connecting piece under Such condition

A1.

A2.

A3.

A4.

BACKPLATE BUCKLE INSTALLATION AS BELOW:

B1.

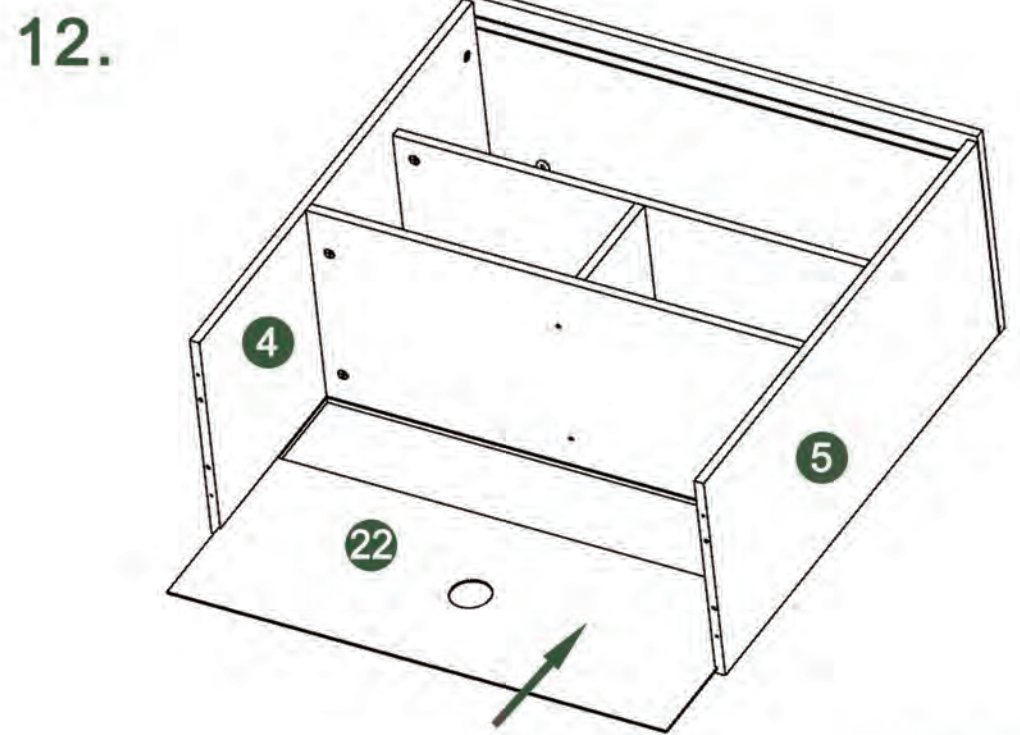
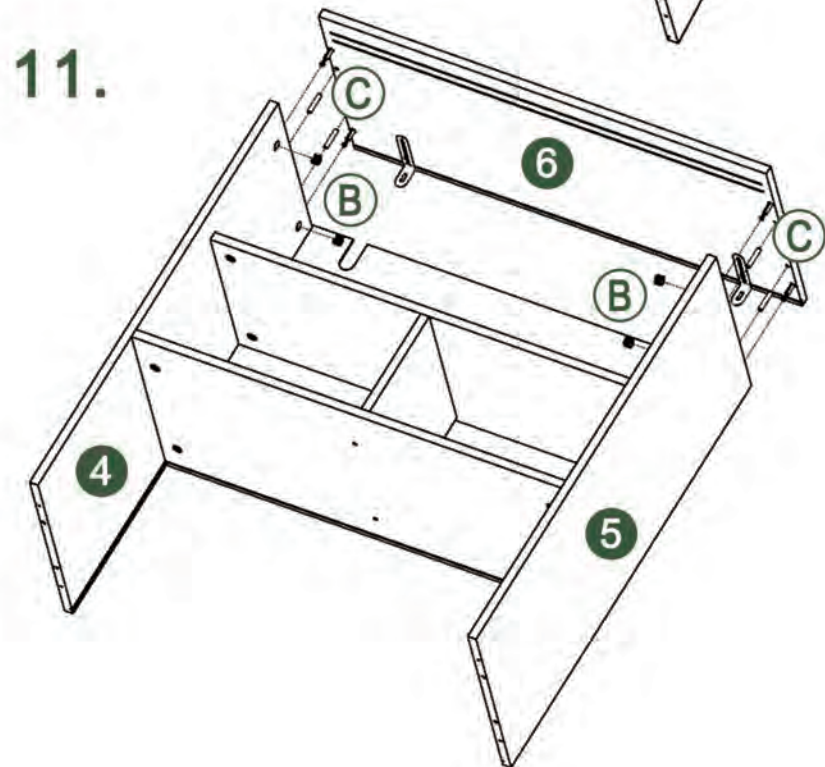
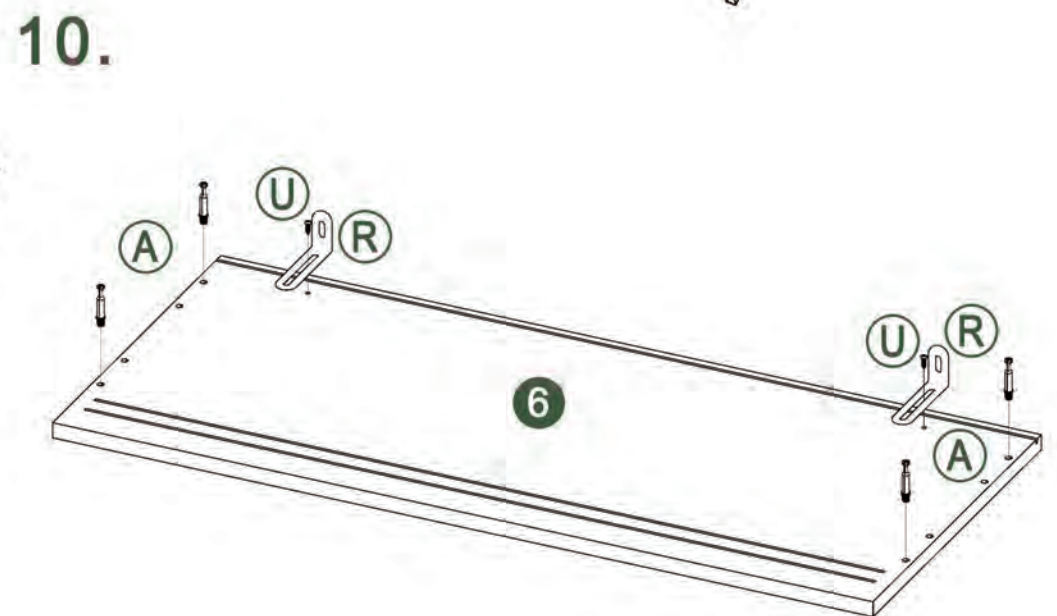
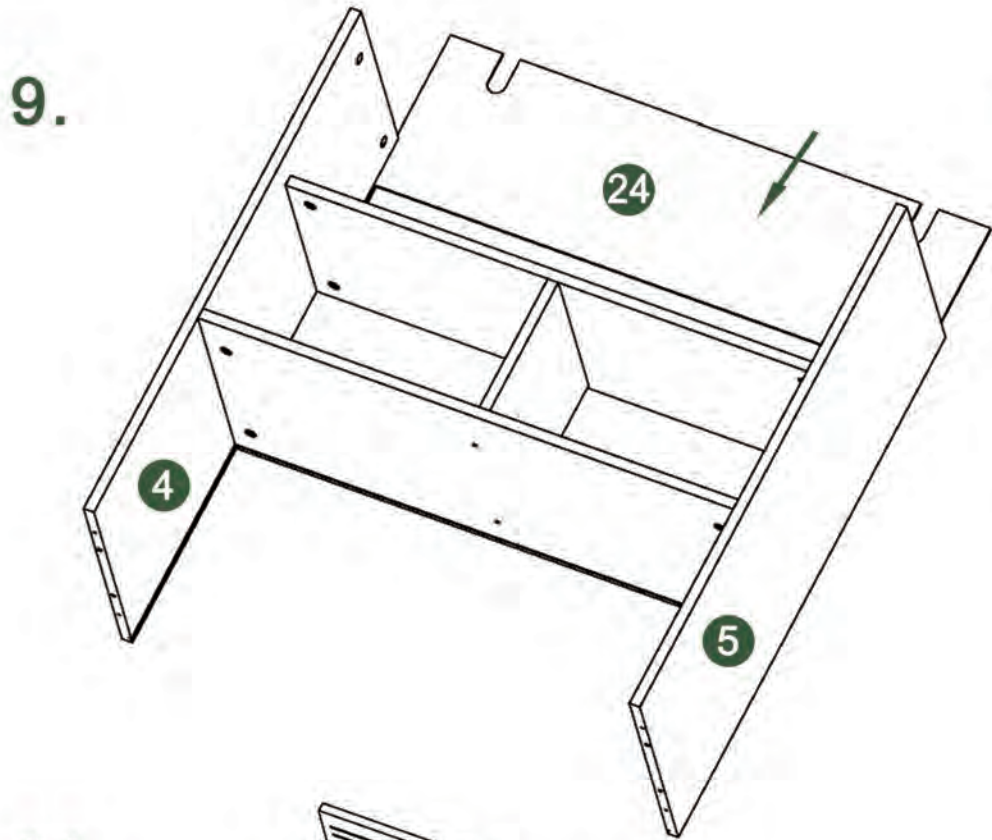
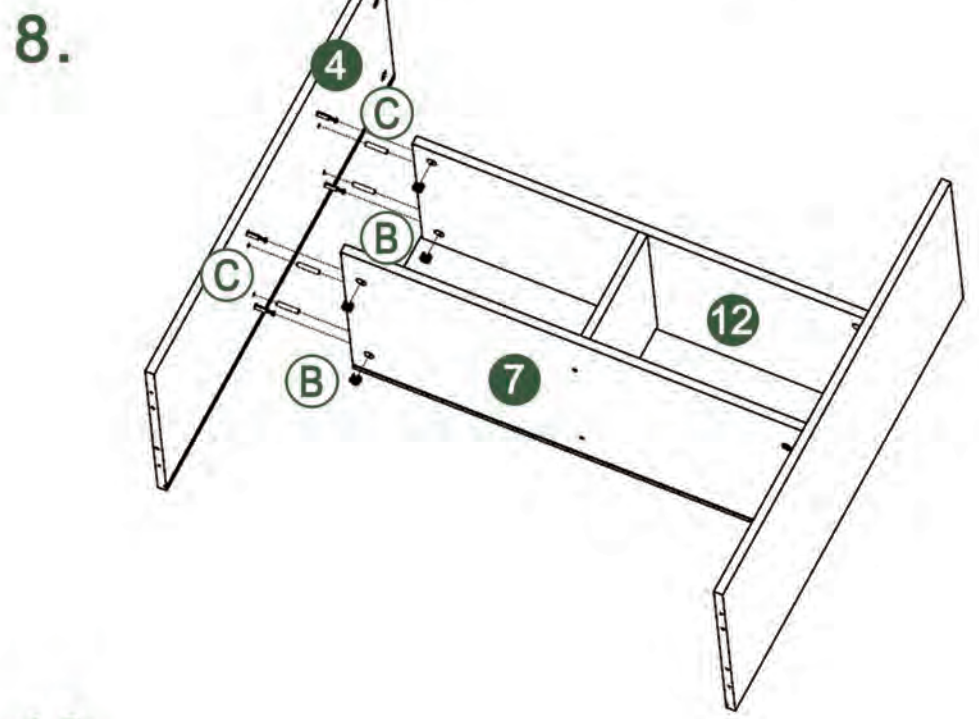
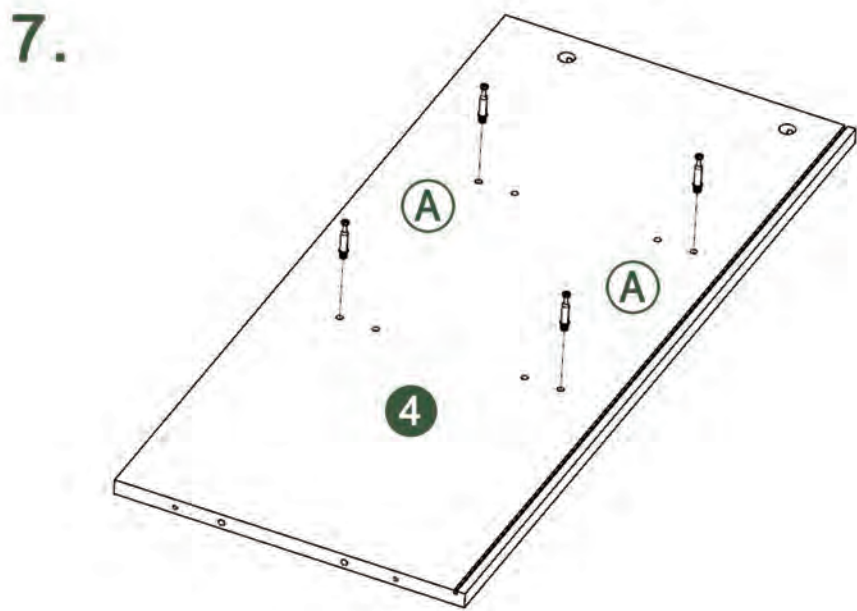
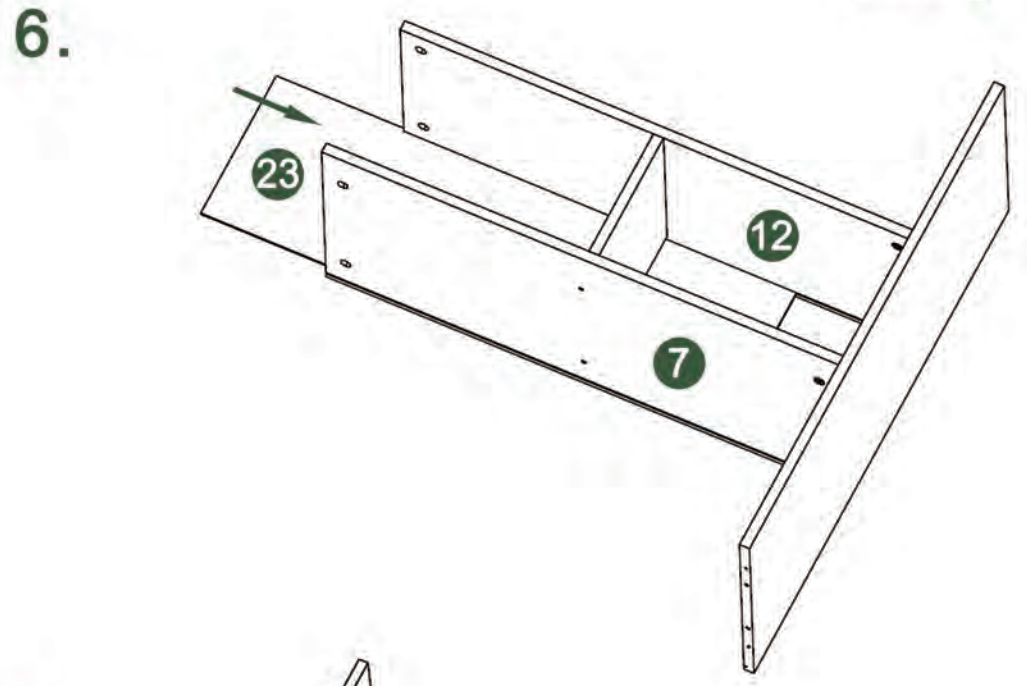
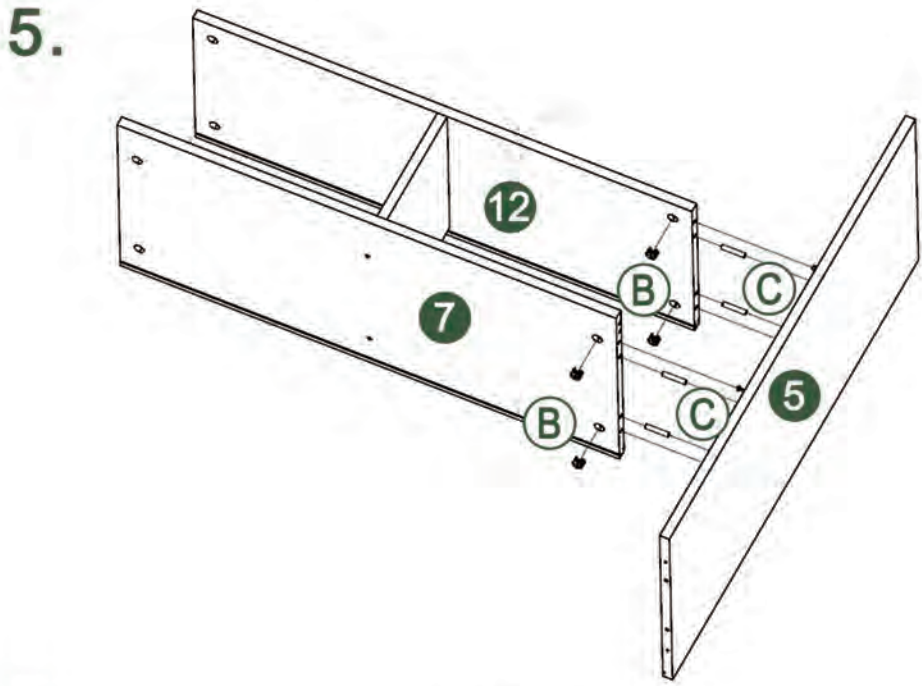
B2.

1.

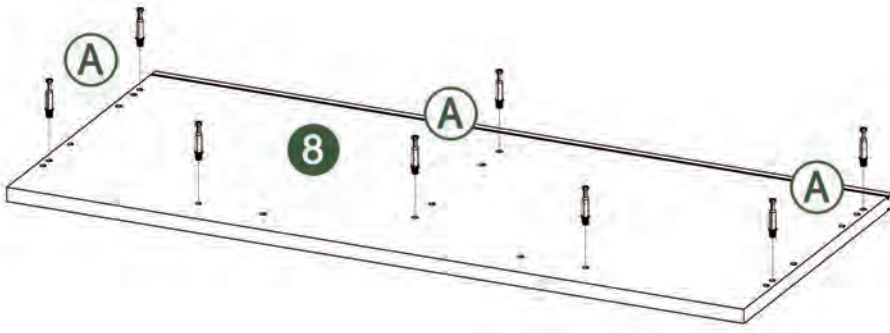
2.

3.

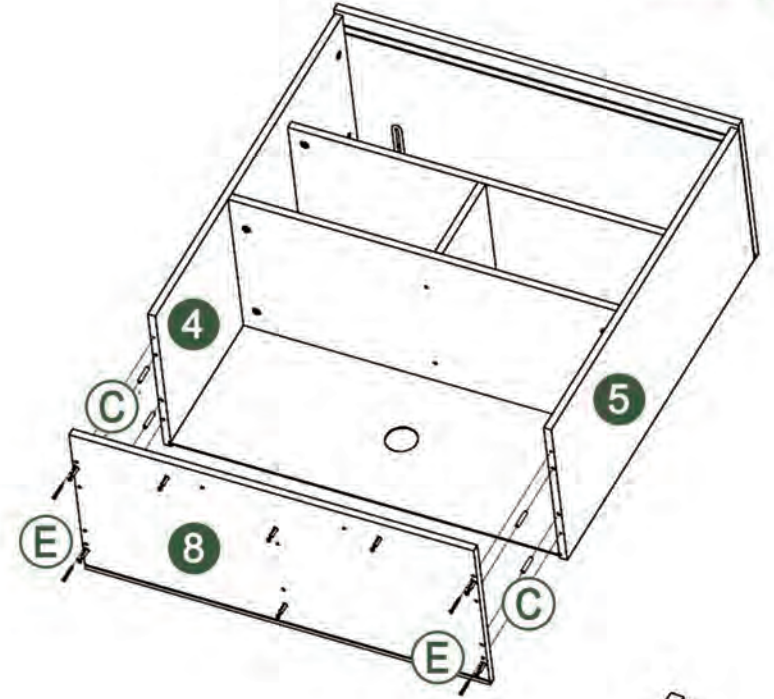
4.



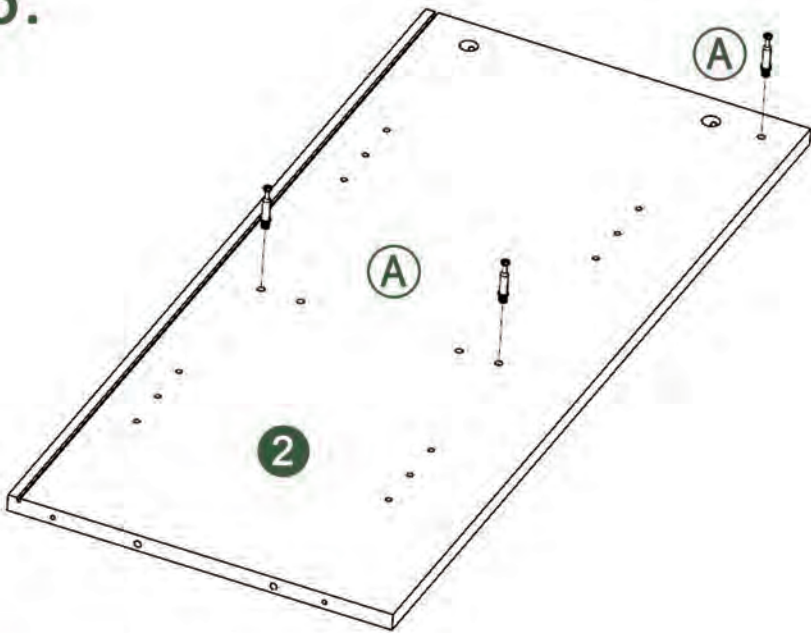
13.



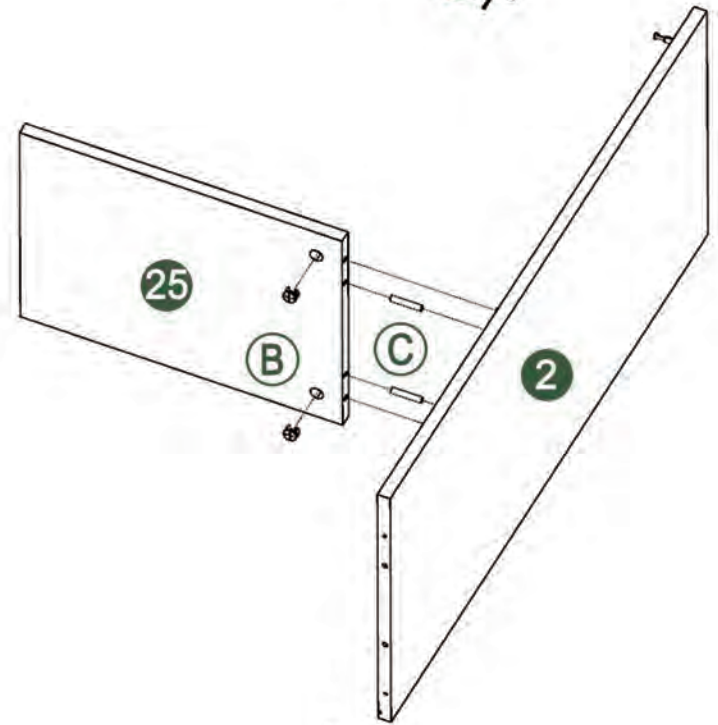
14.



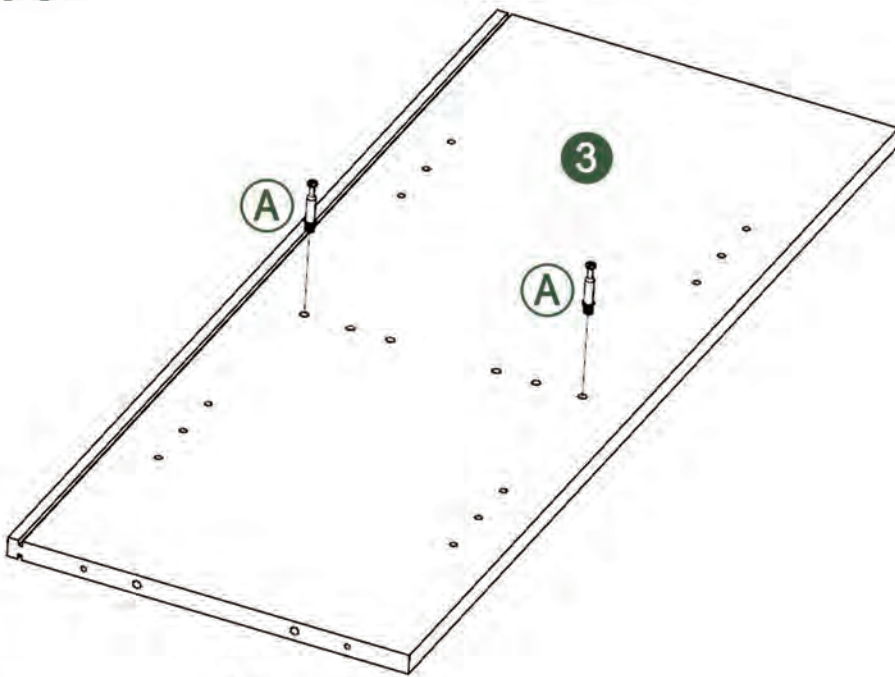
15.



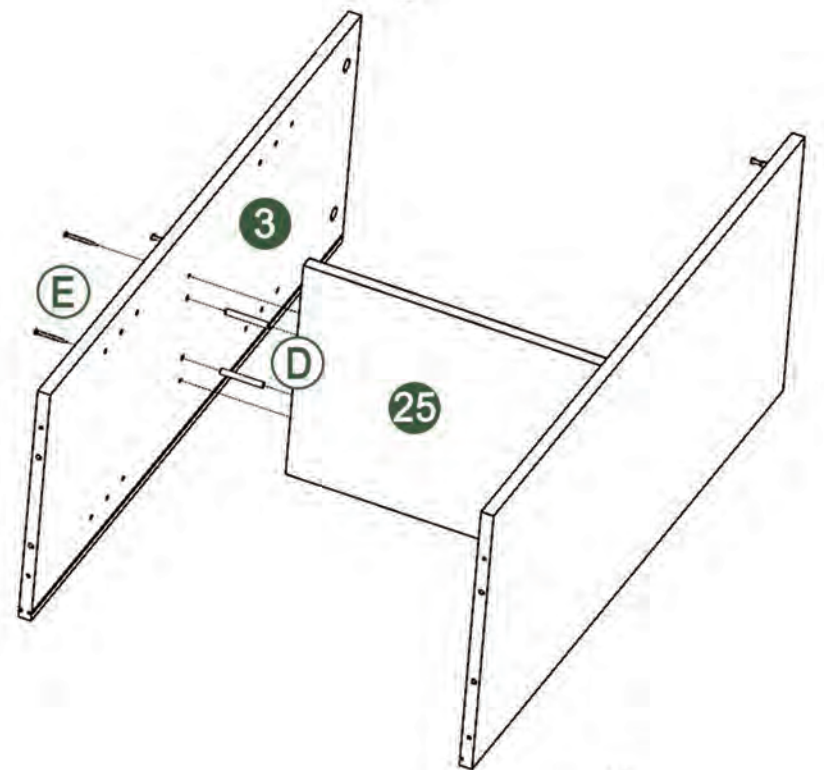
16.



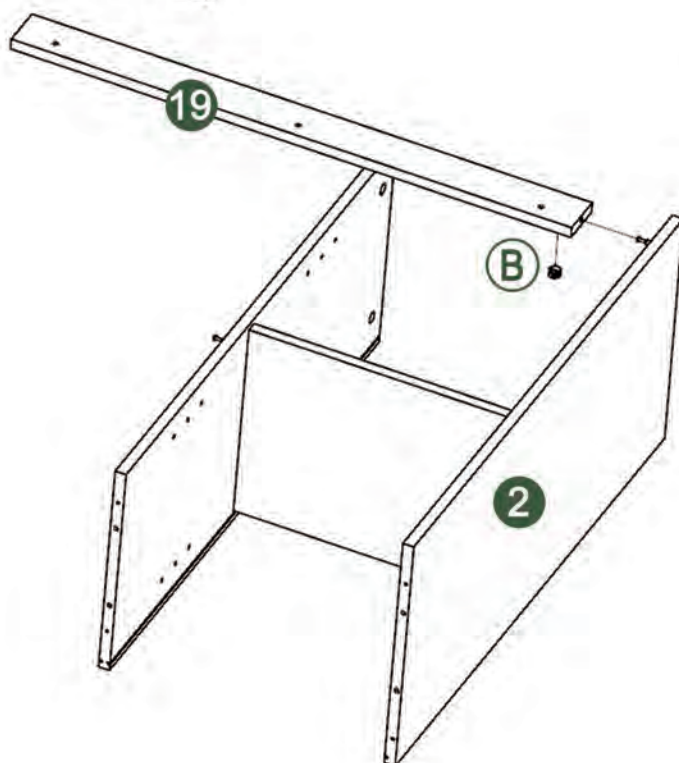
17.



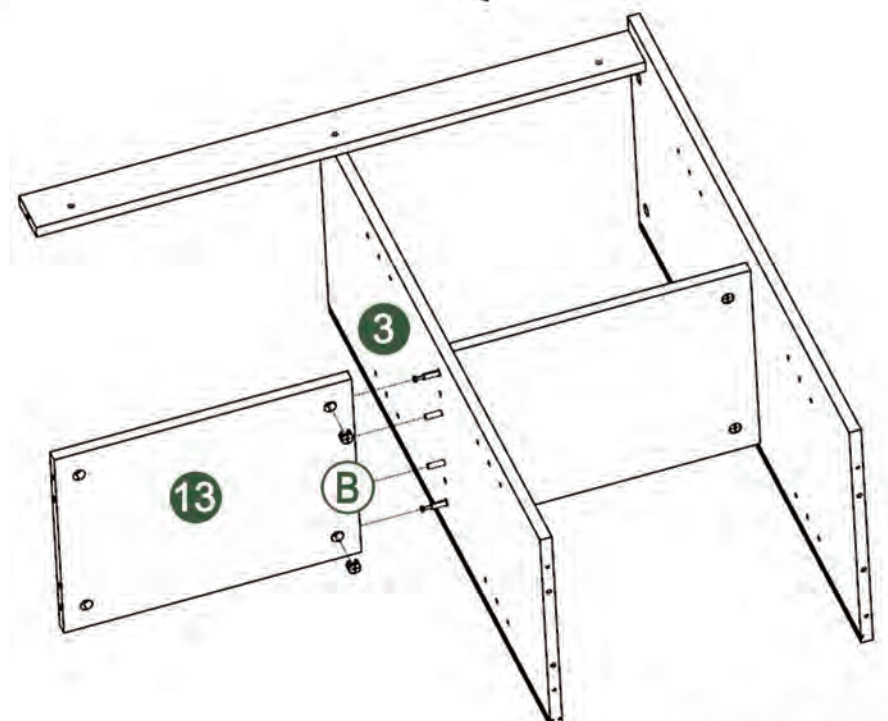
18.



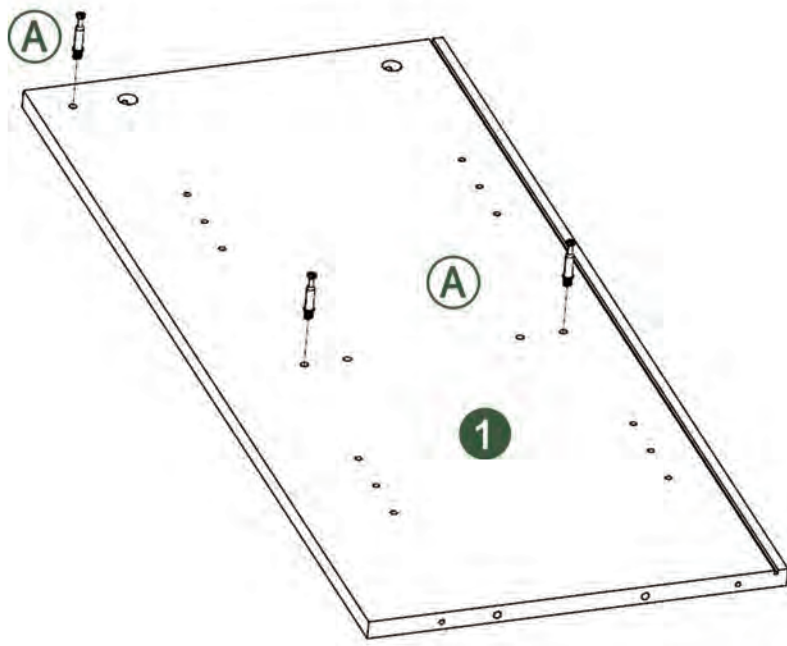
19.



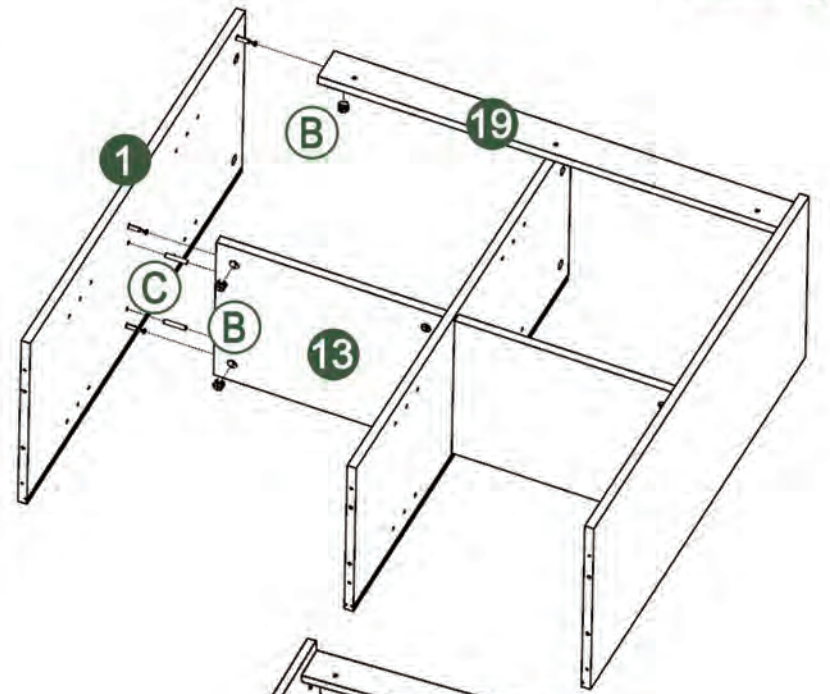
20.



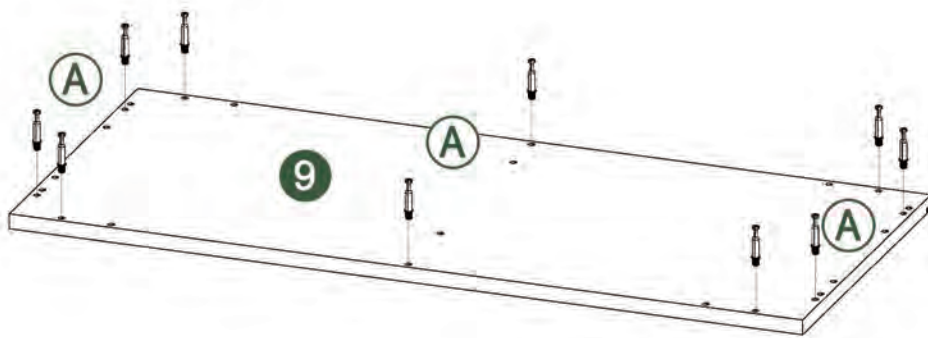
21.



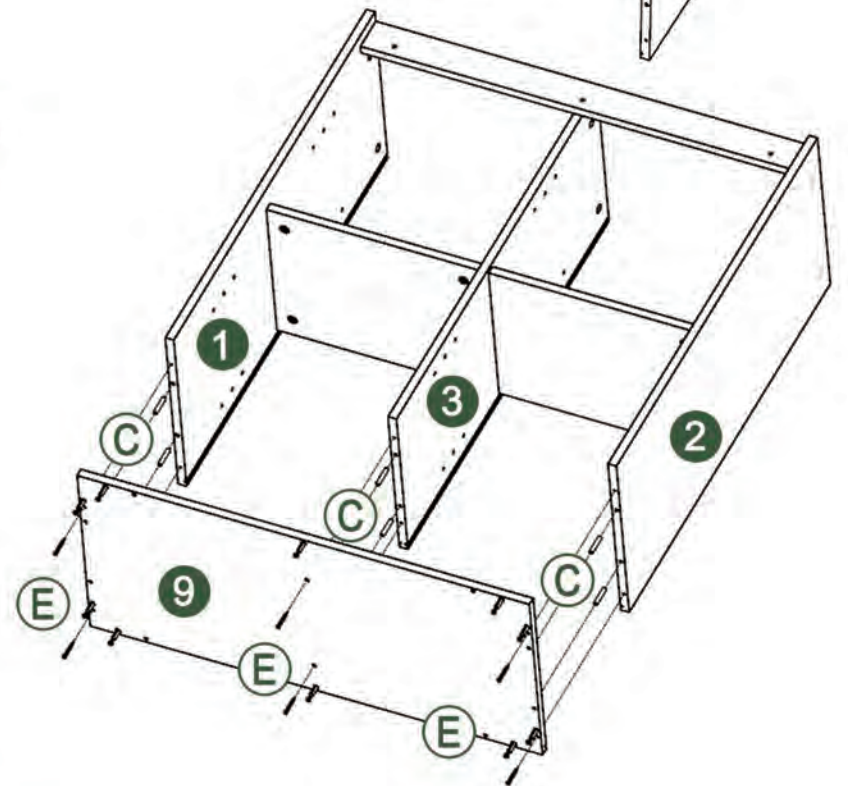
22.



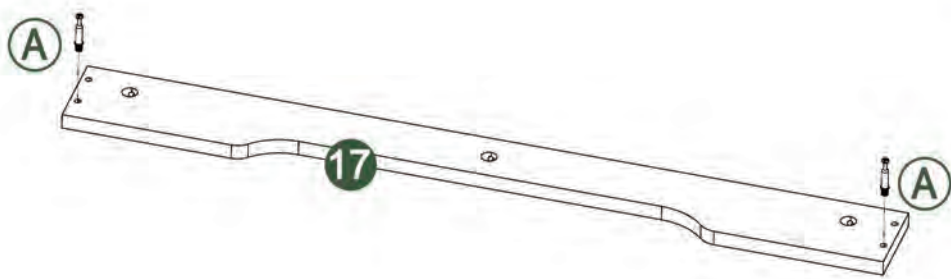
23.



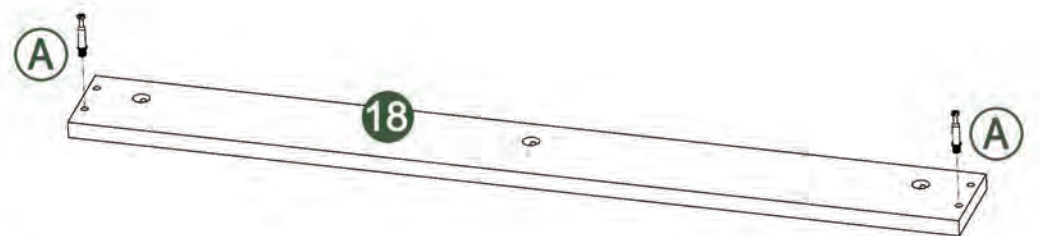
24.



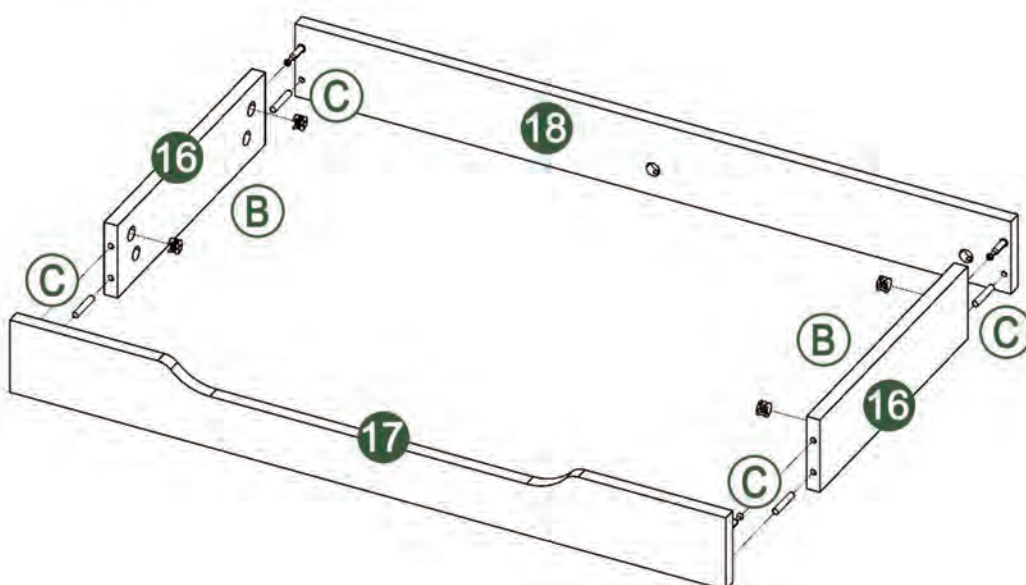
25.



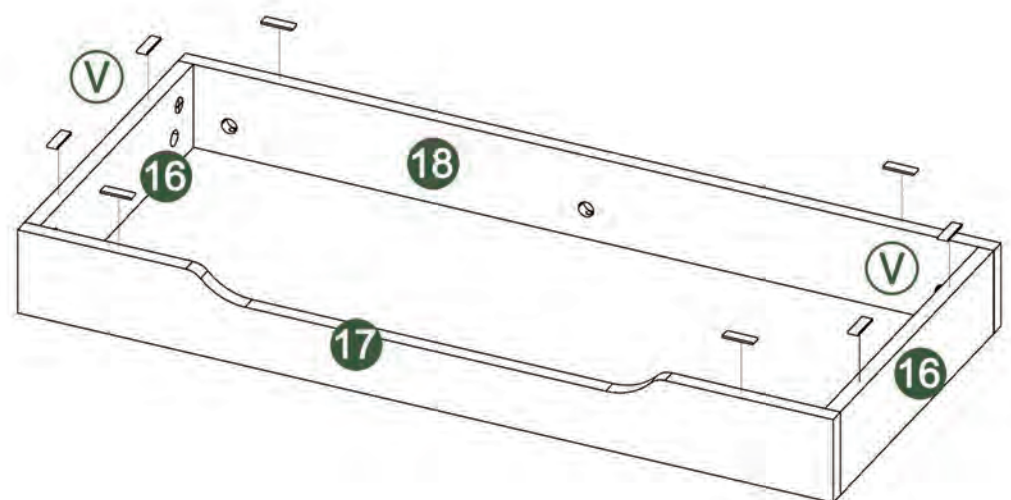
26.



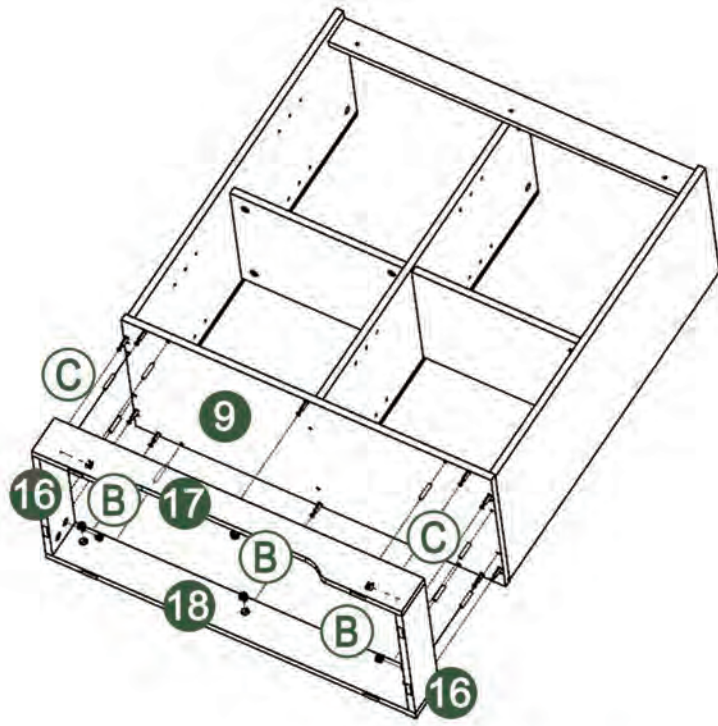
27.



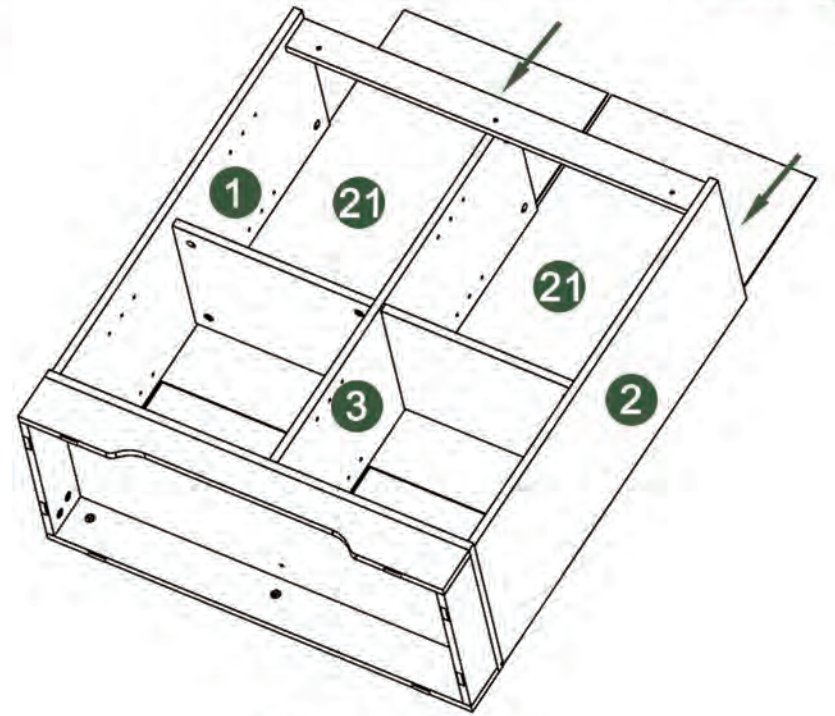
28.



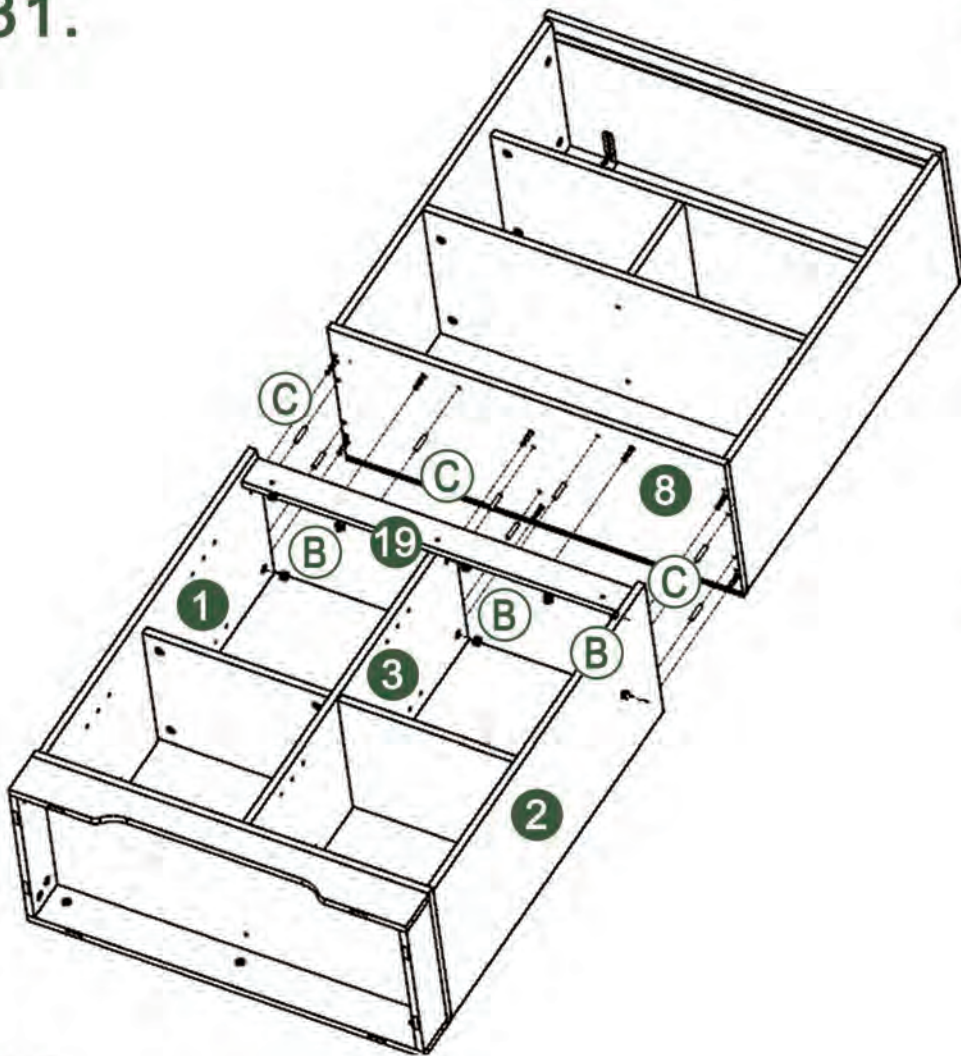
29.



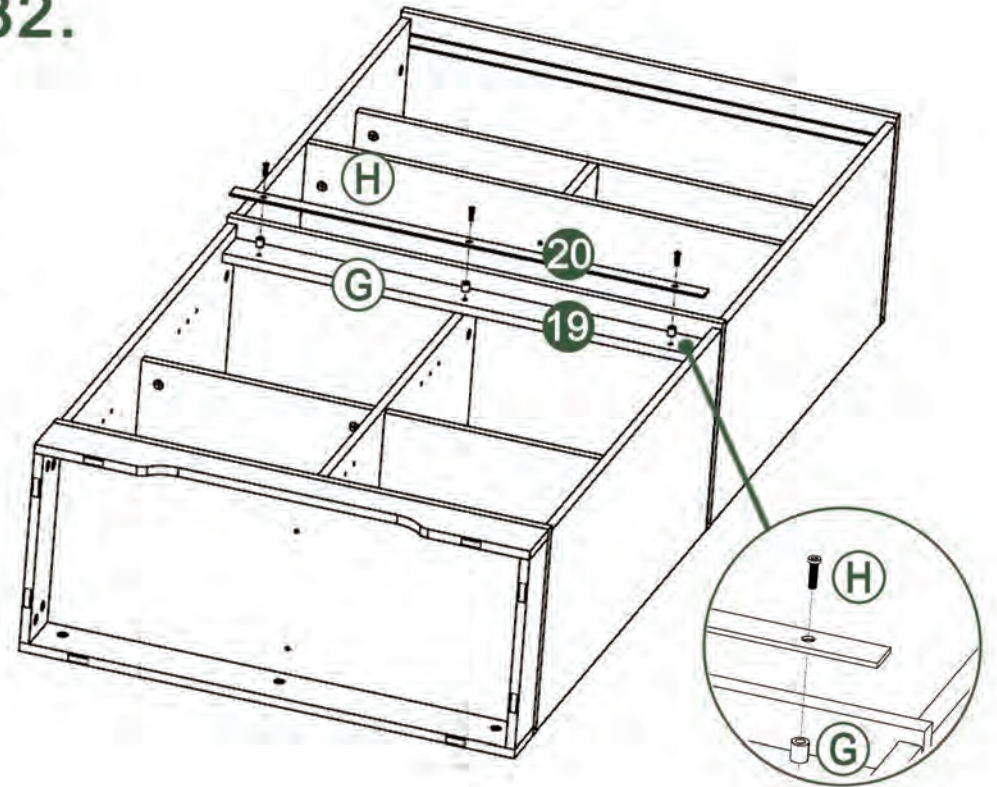
30.



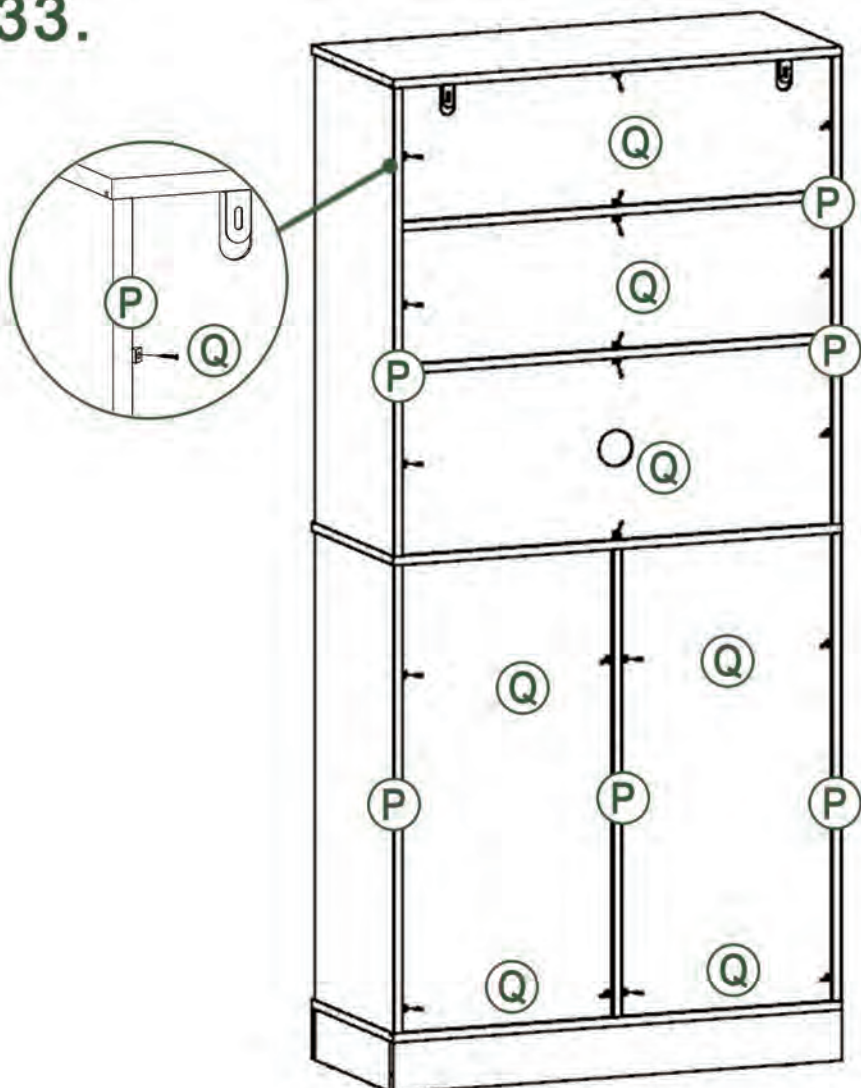
31.



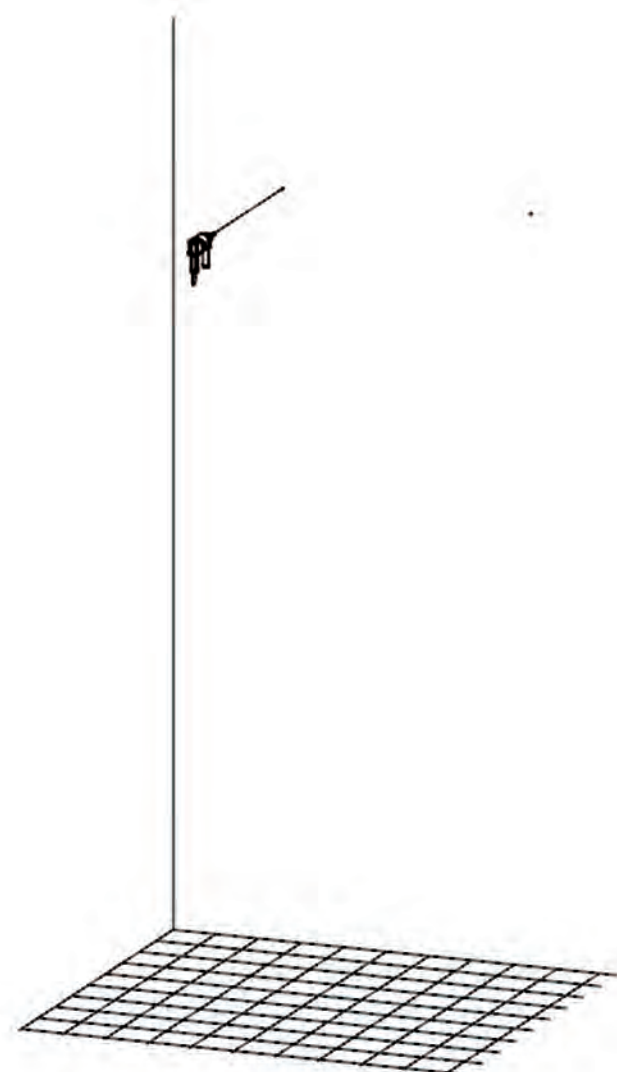
32.



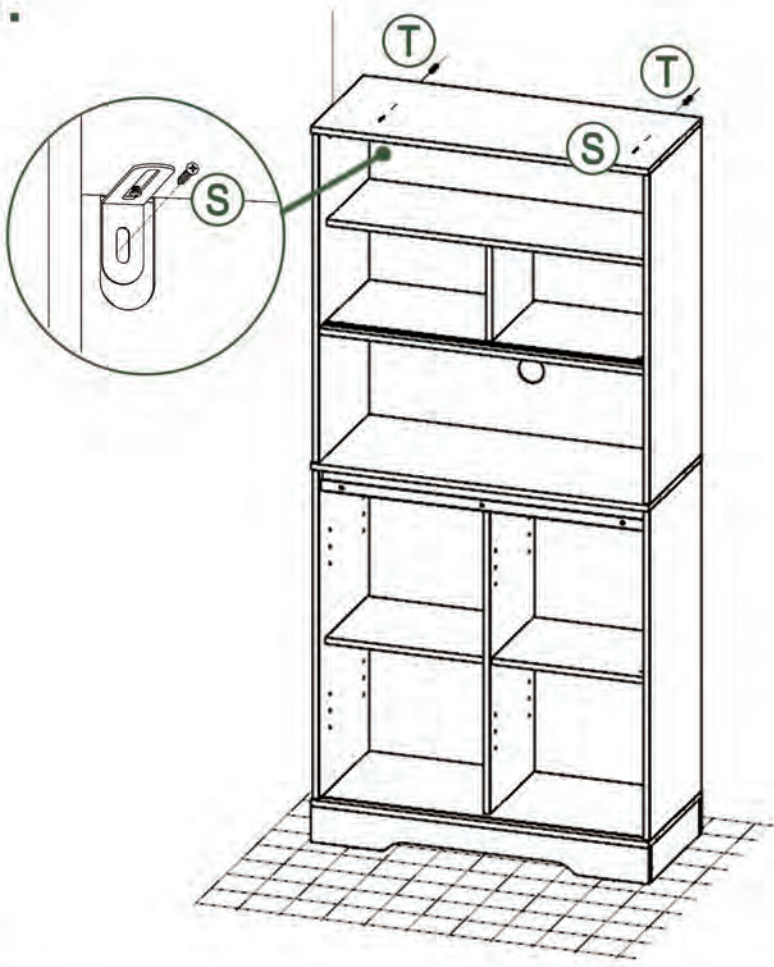
33.



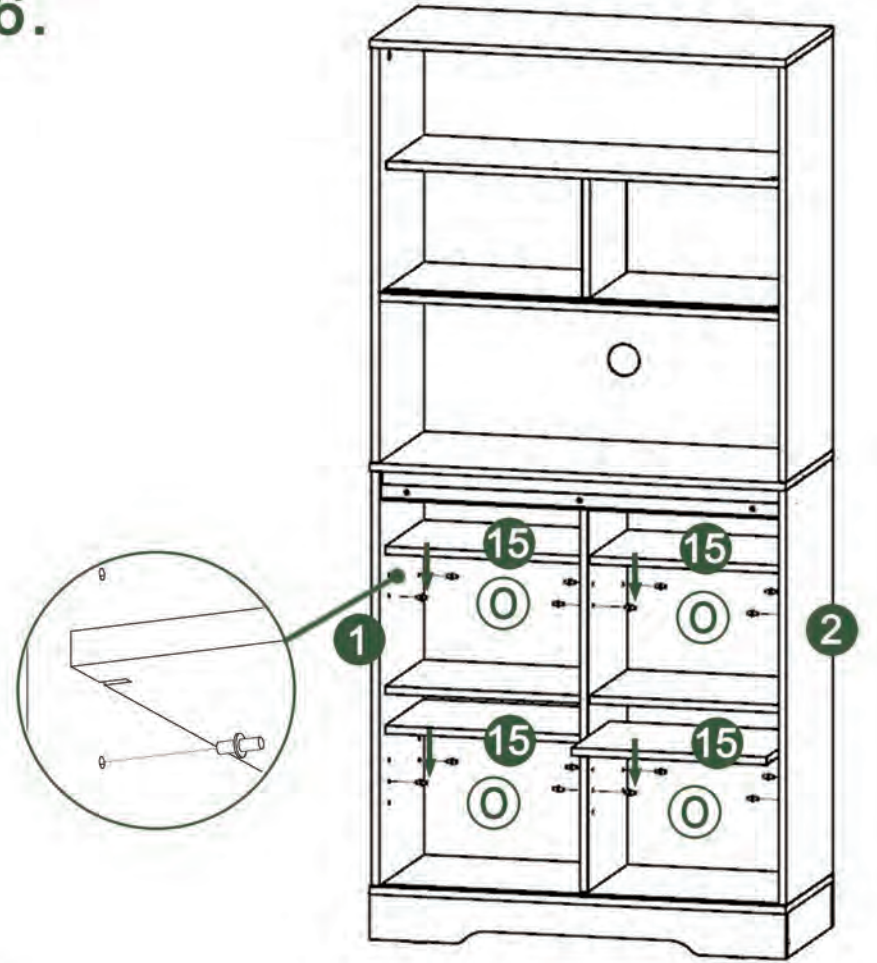
34.



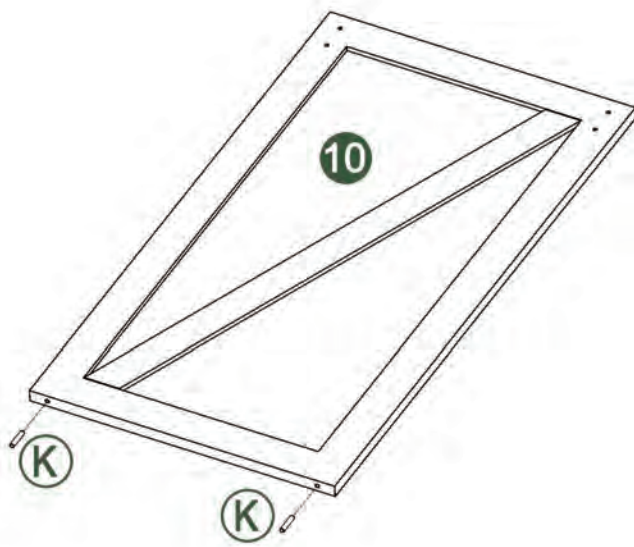
35.



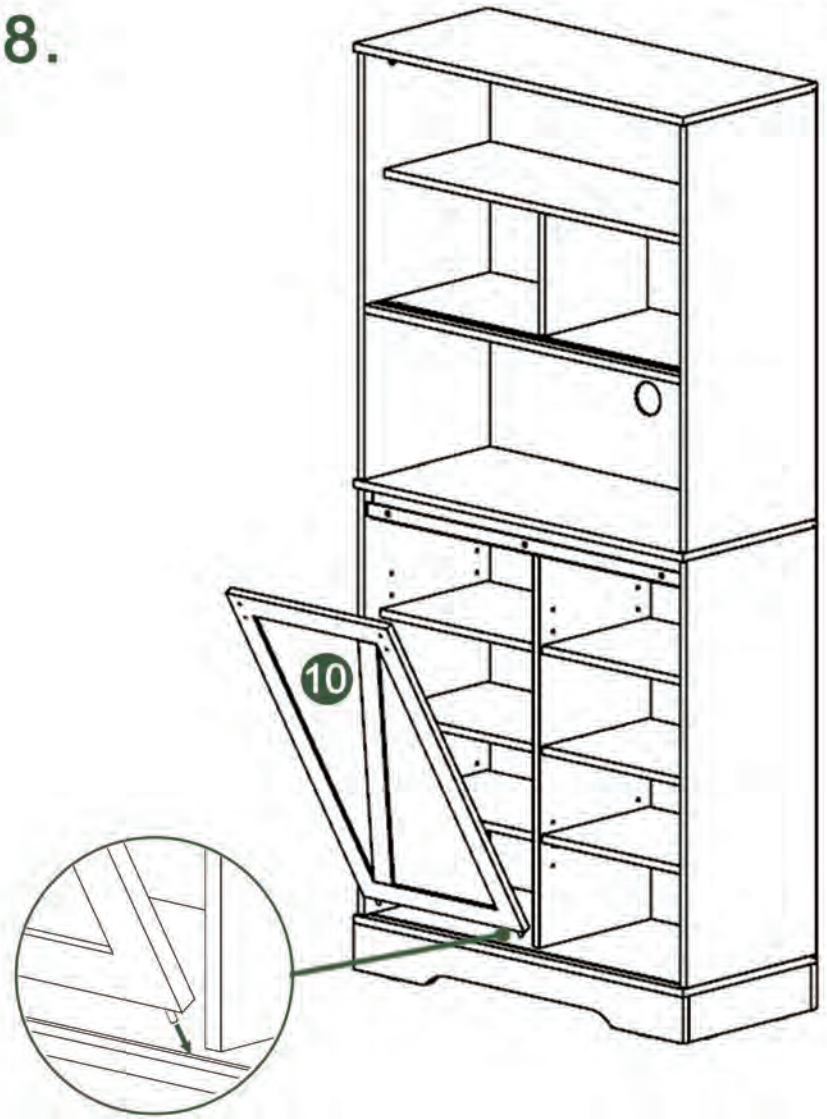
36.



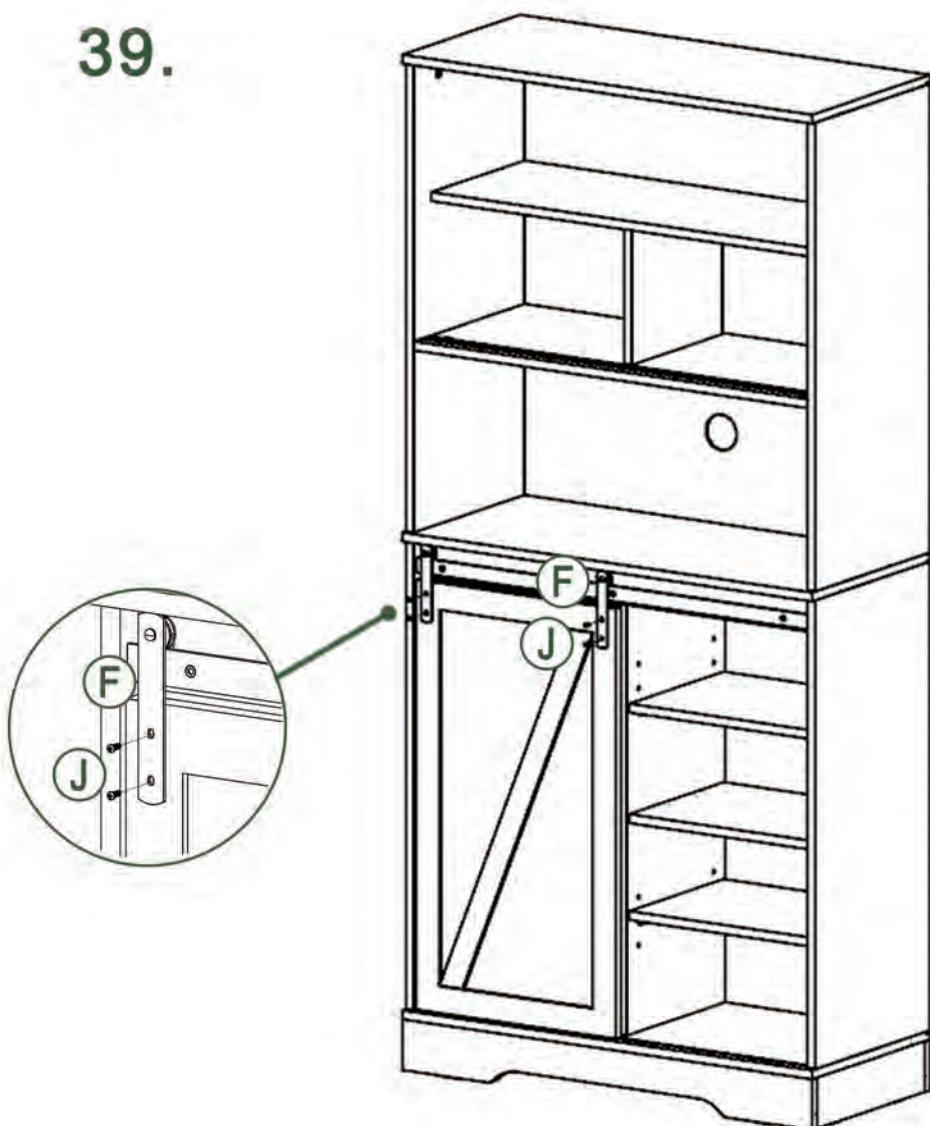
37.



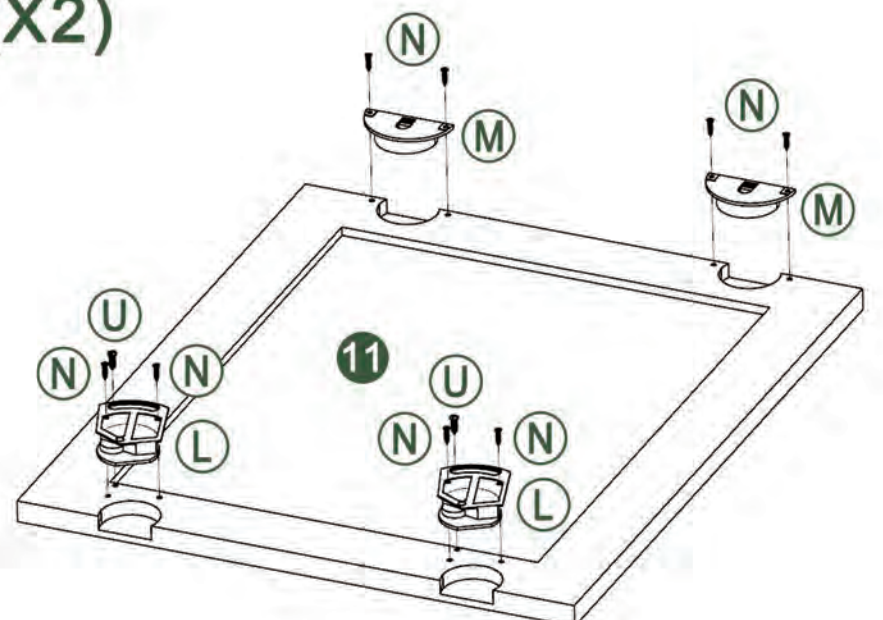
38.



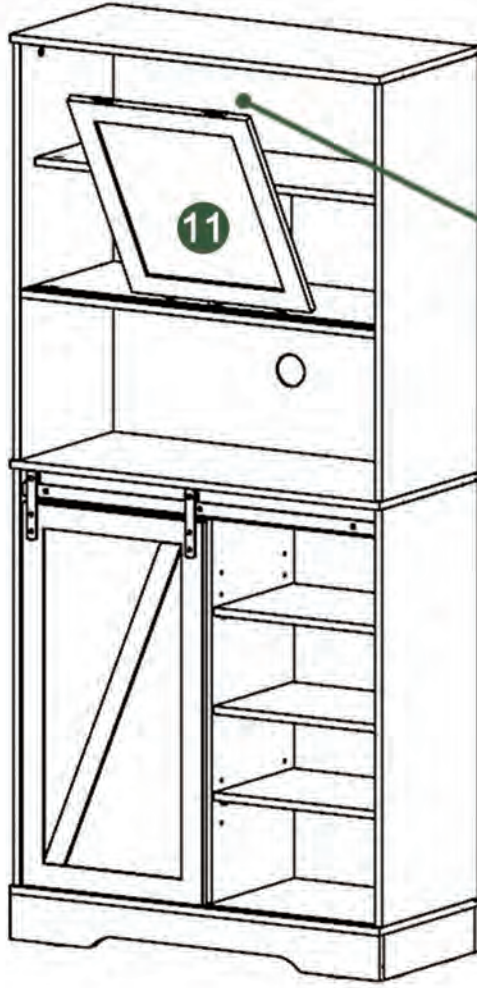
39.



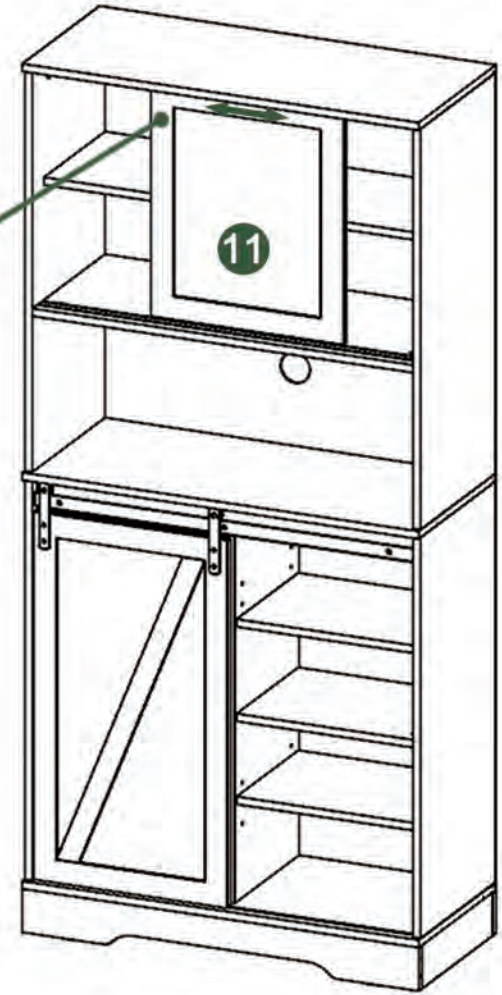
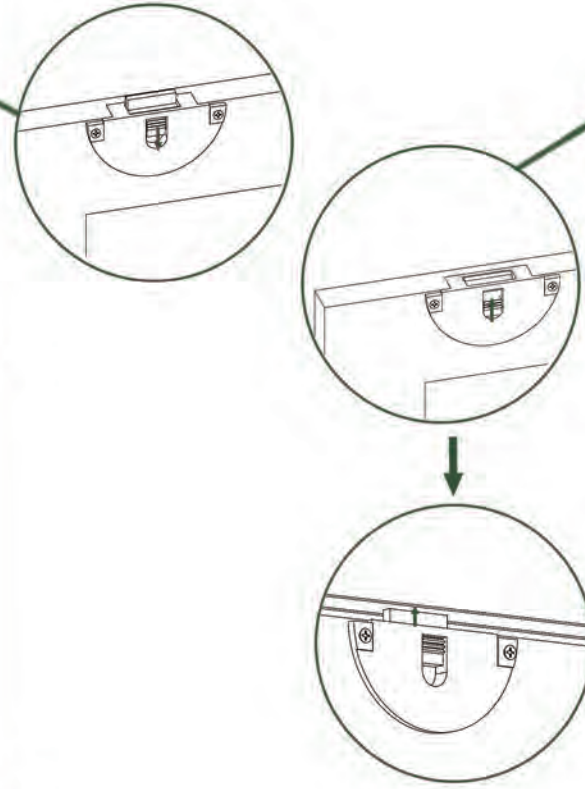
40.(X2)



41.(X2)



42.(X2)



43.

