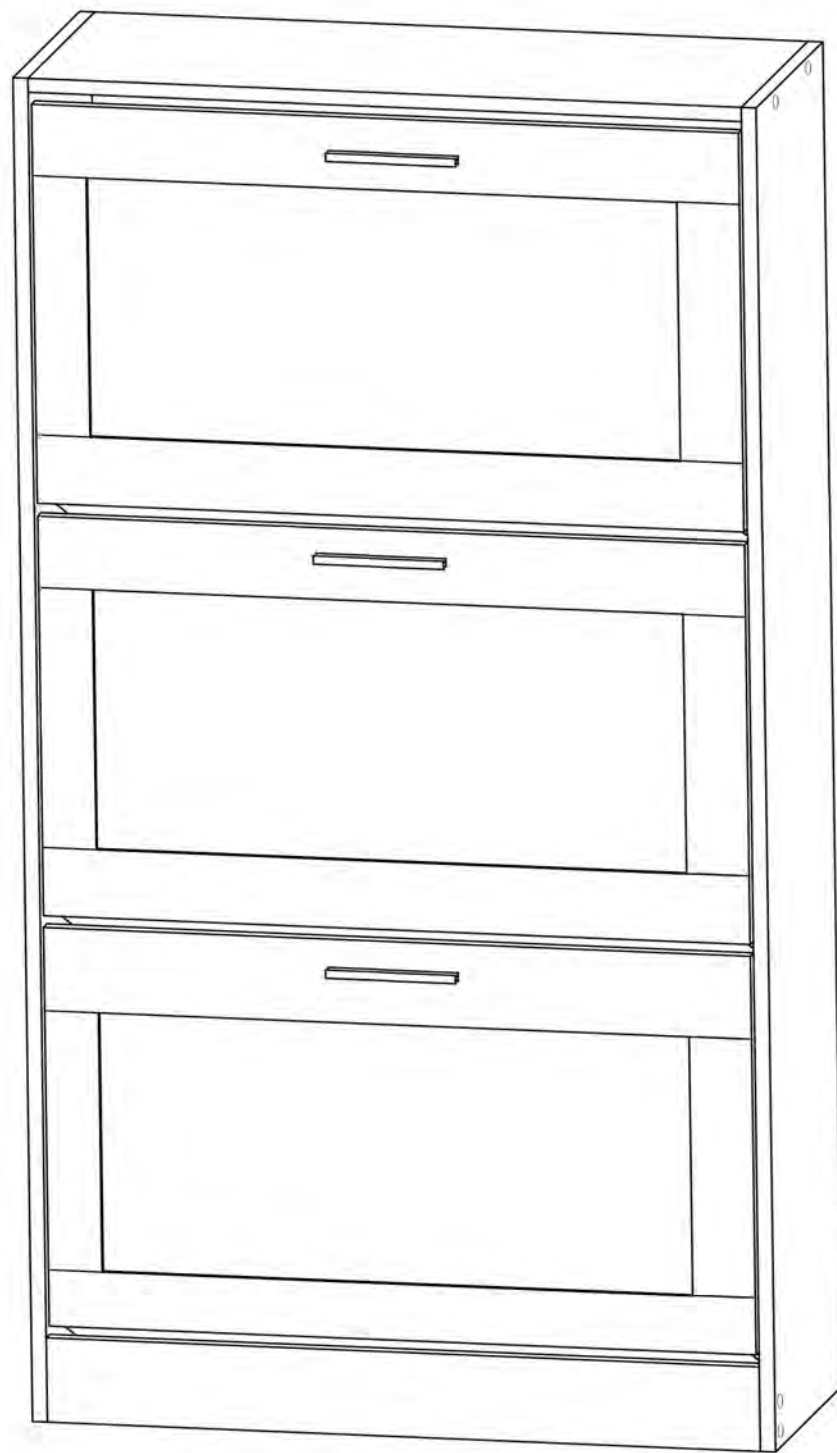
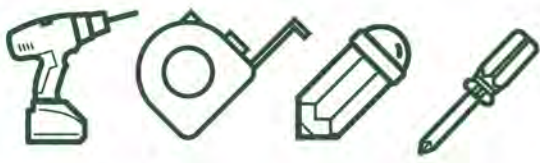




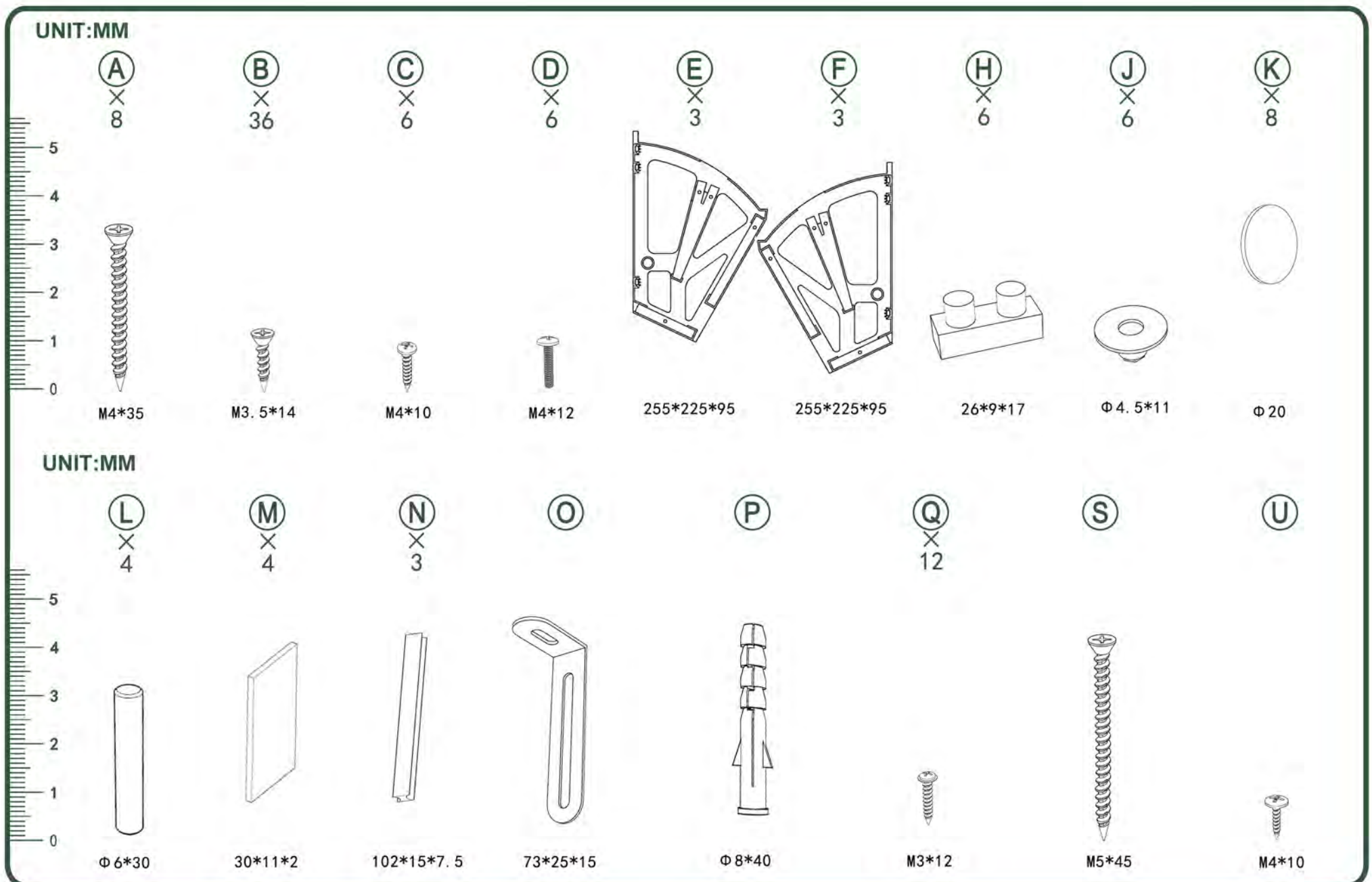
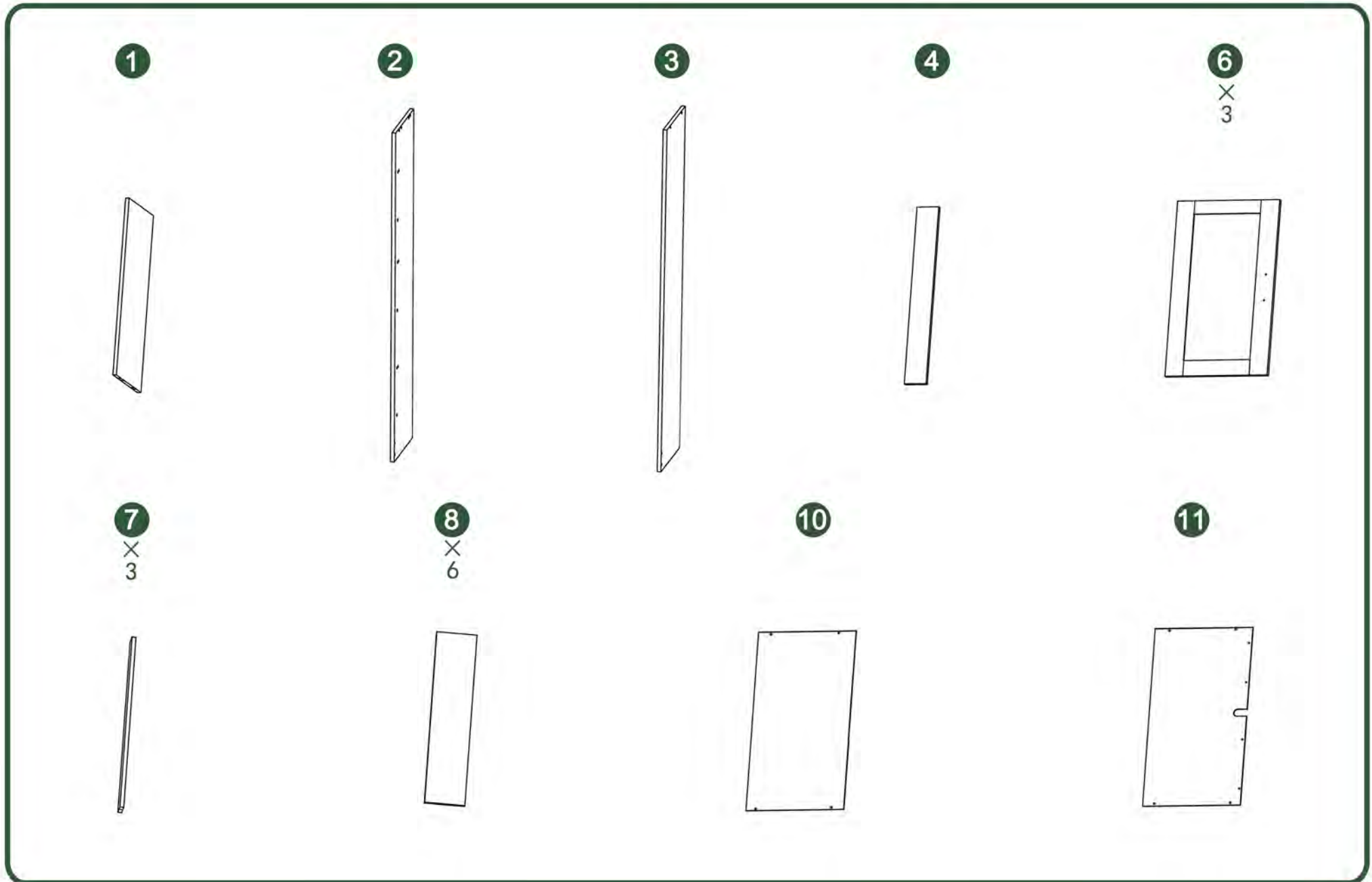
FSR137-L

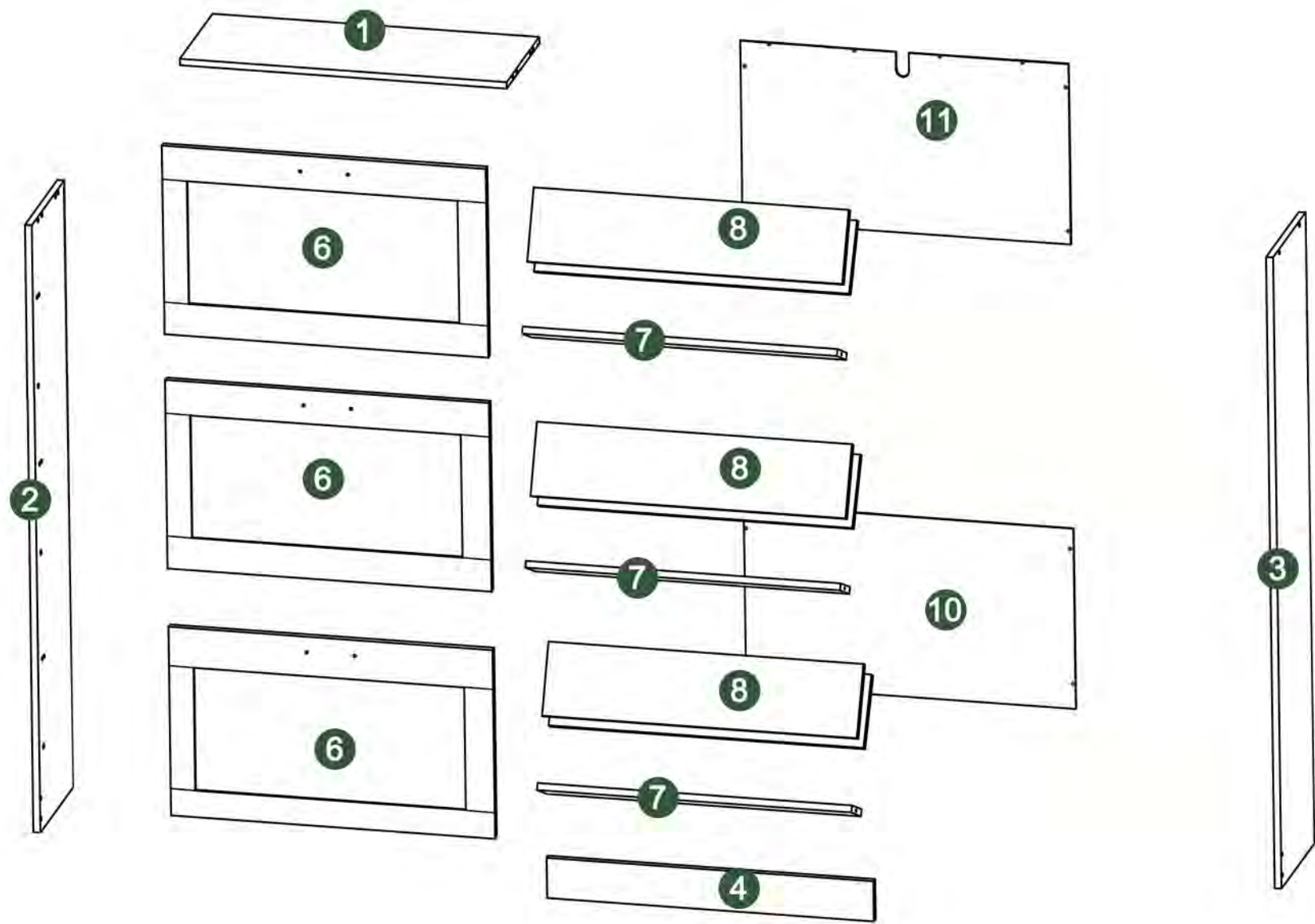


TOOLS:

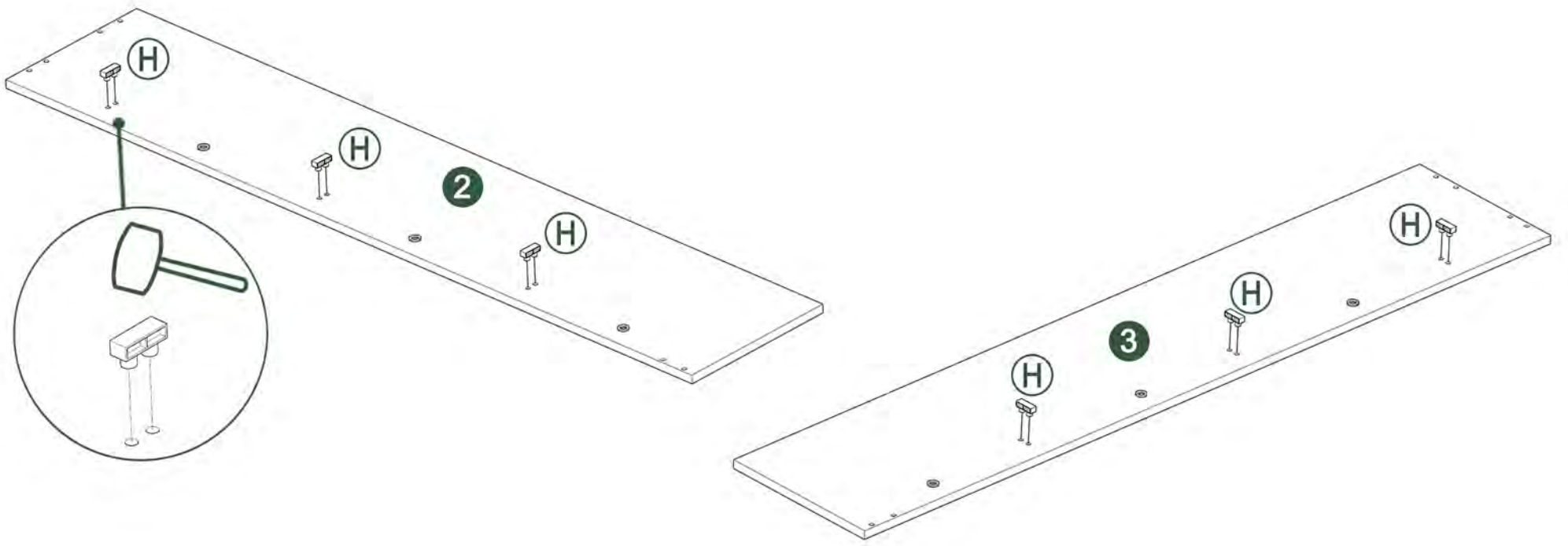


Pour en savoir plus:  
www.quefairedemesdechets.fr

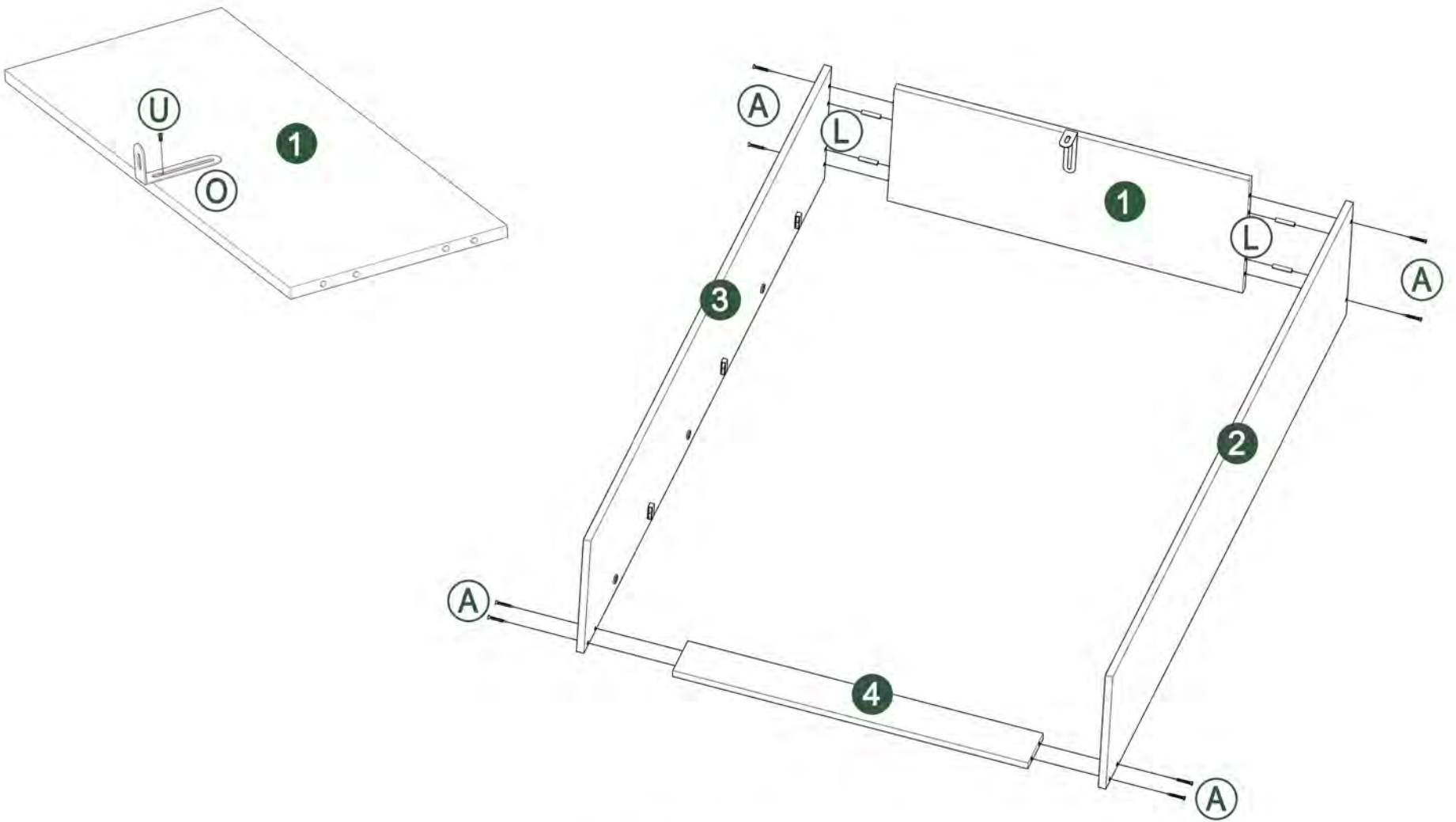




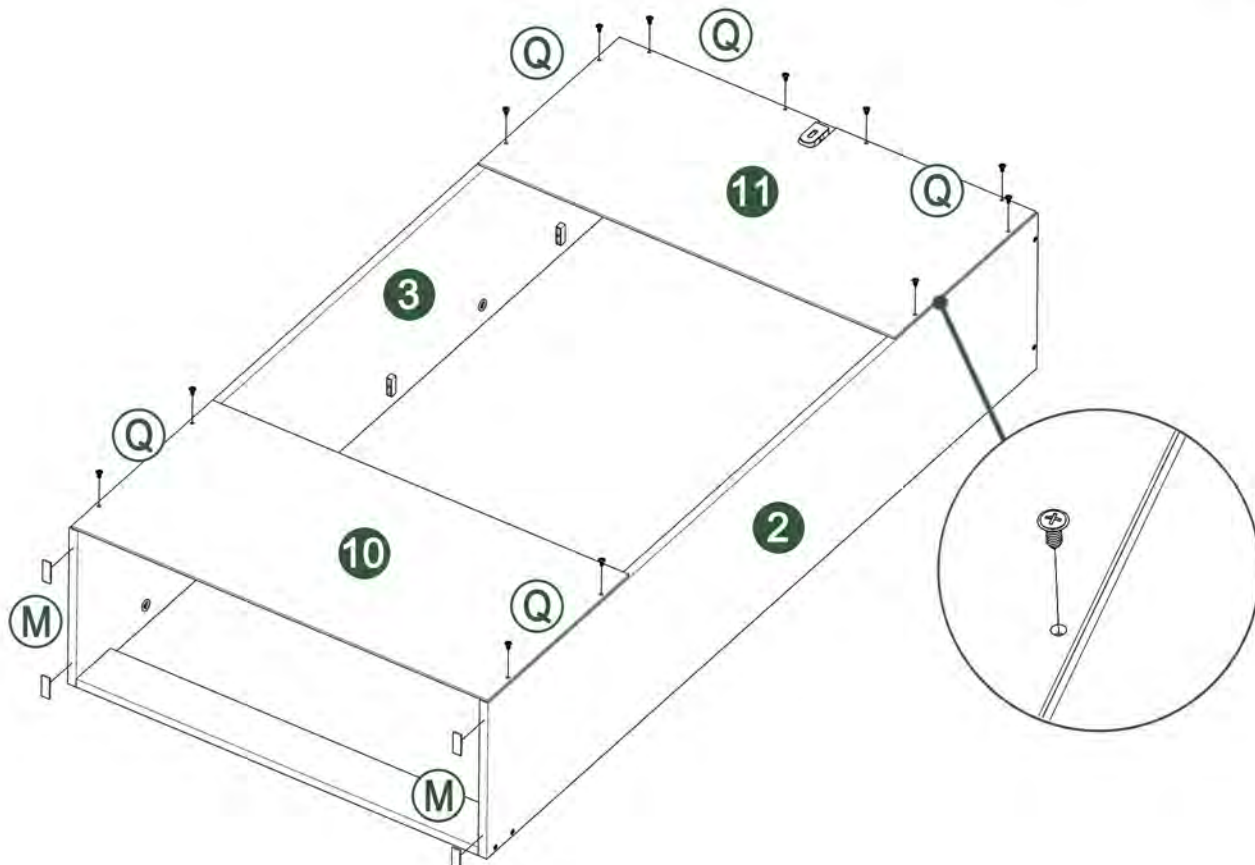
1.



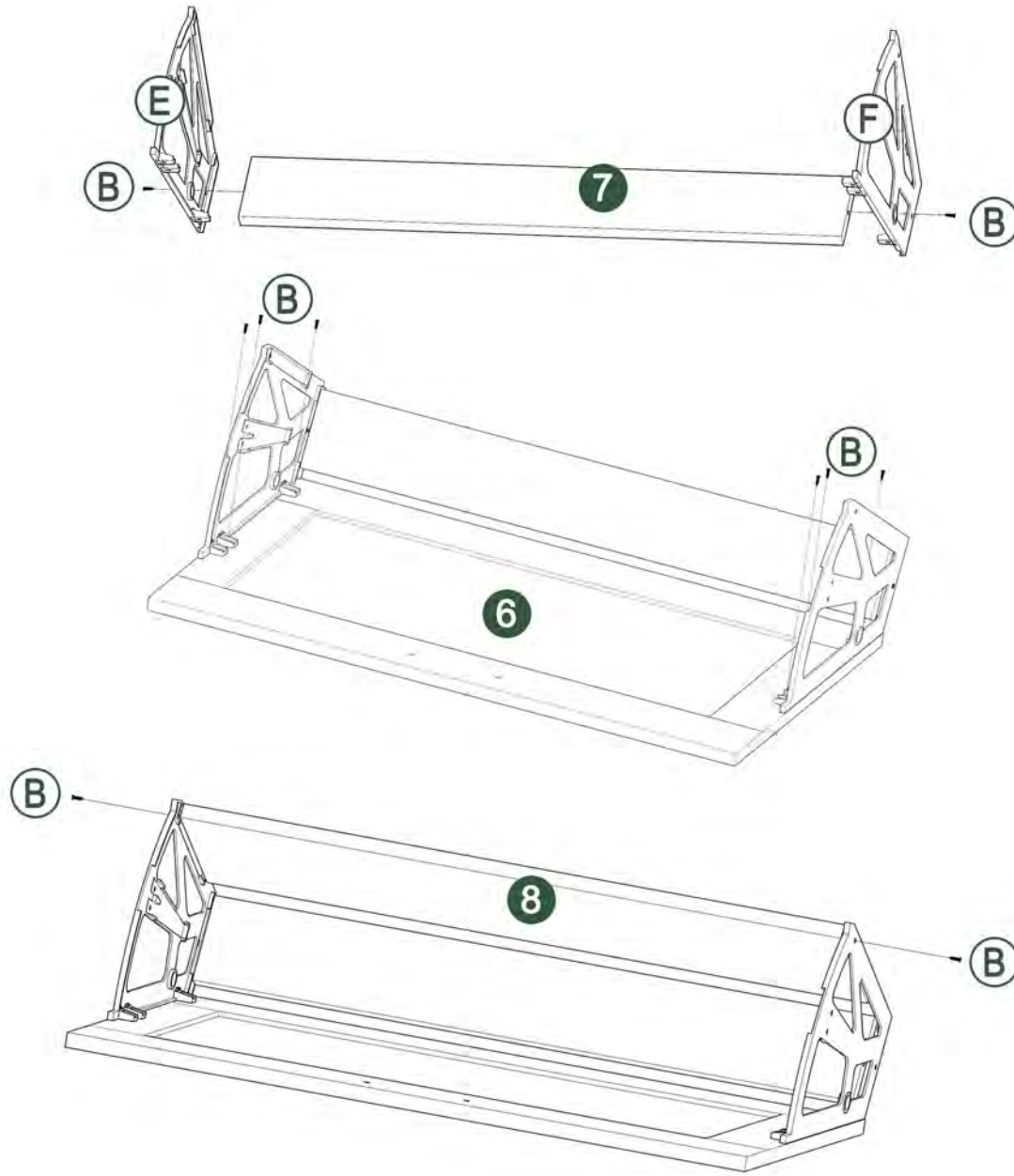
2.



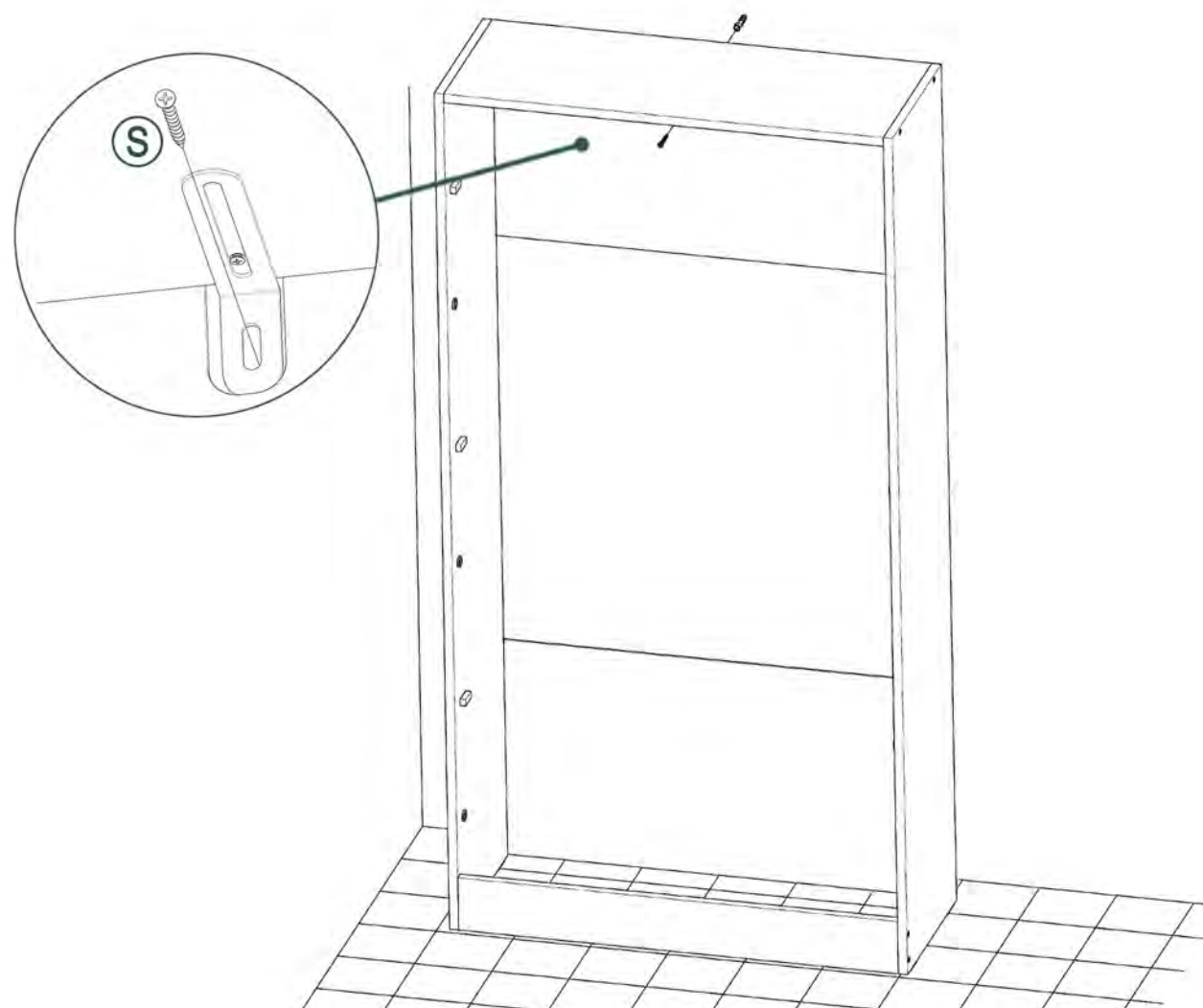
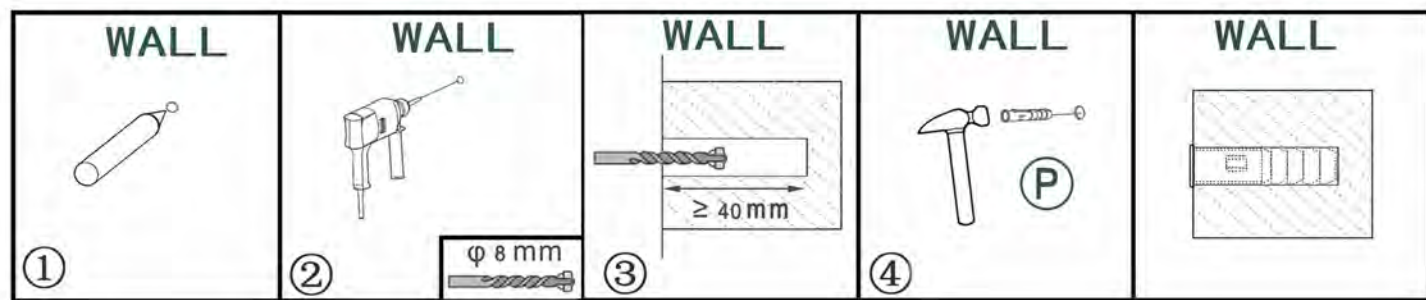
3.



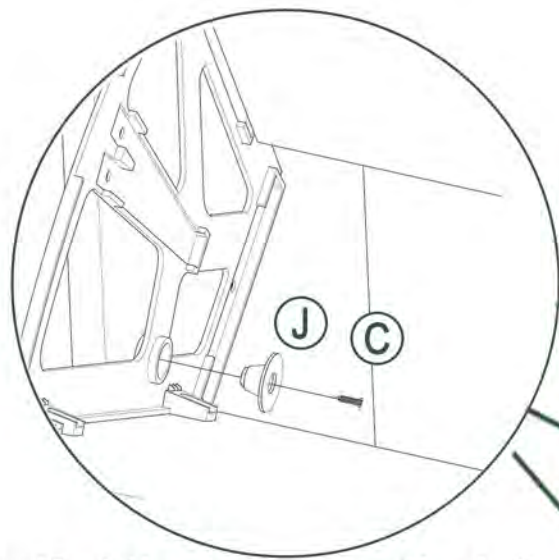
# 4(X3).



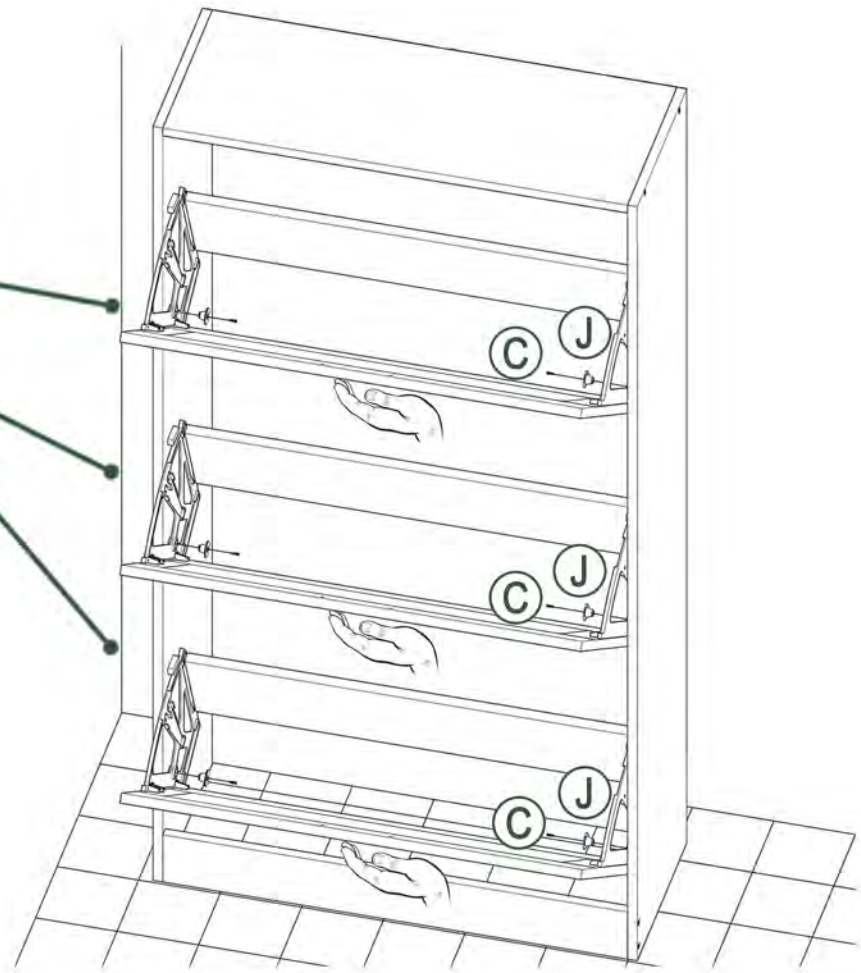
# 5.



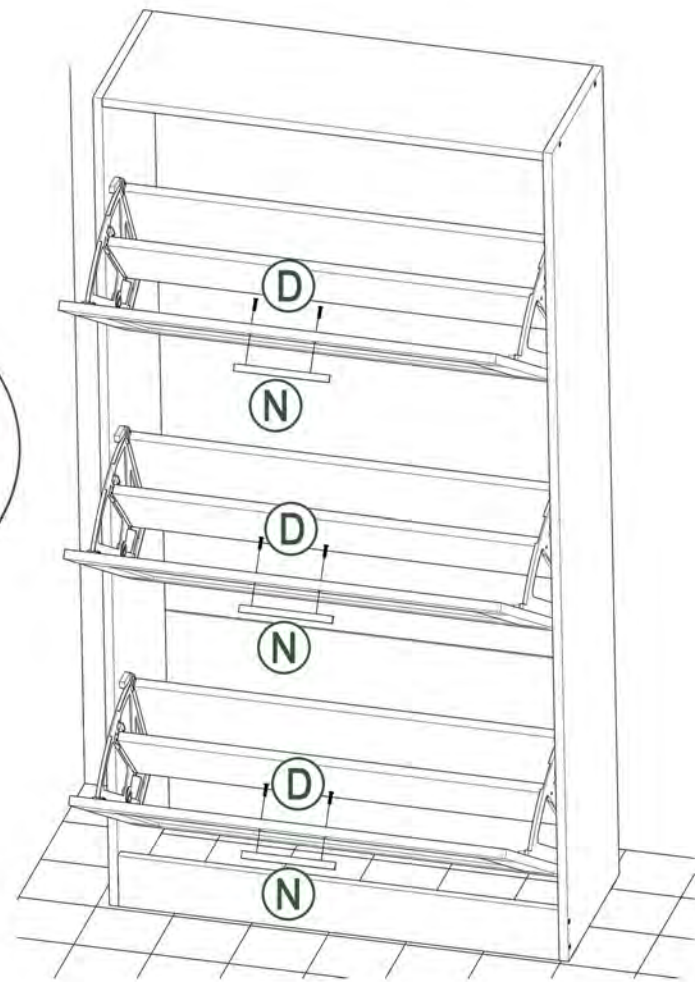
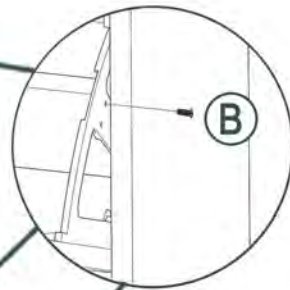
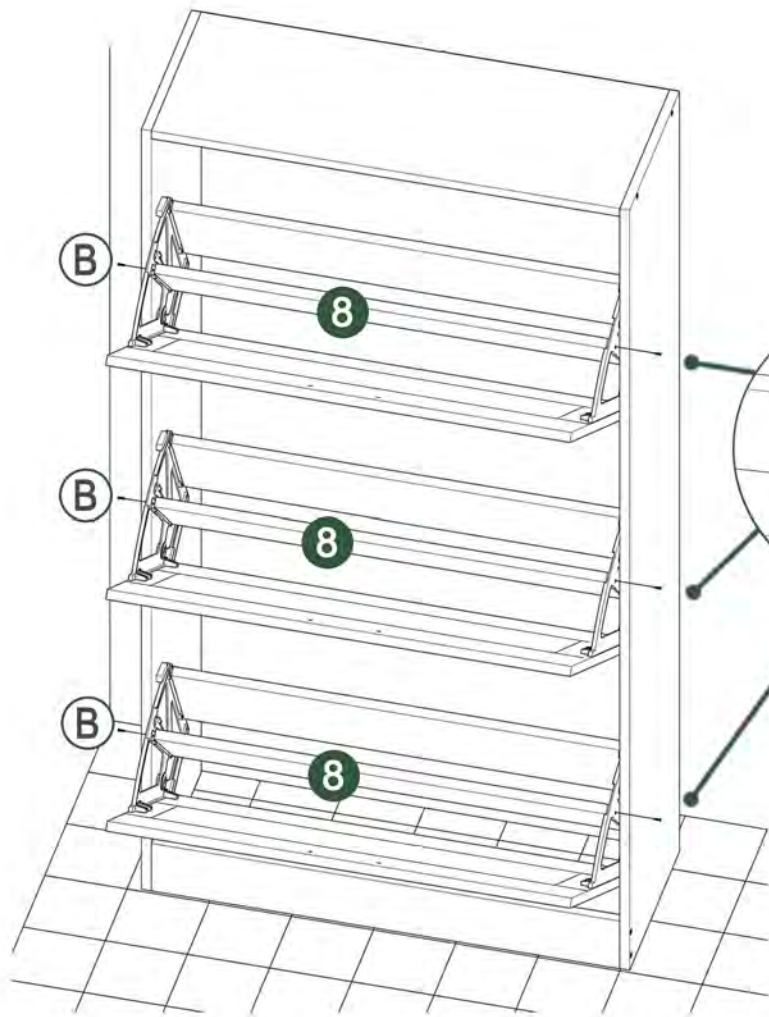
6.



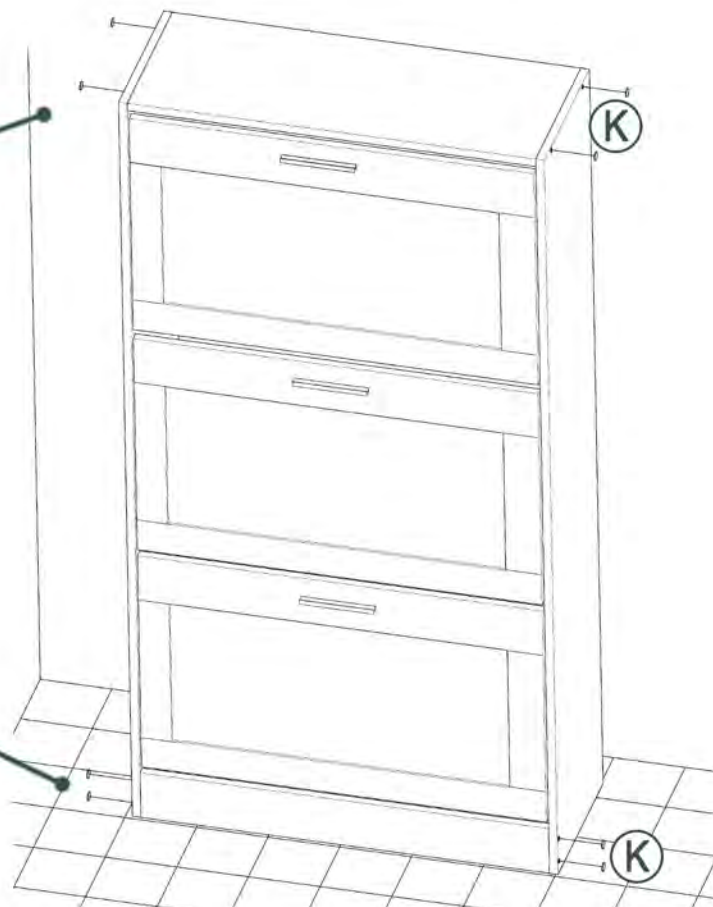
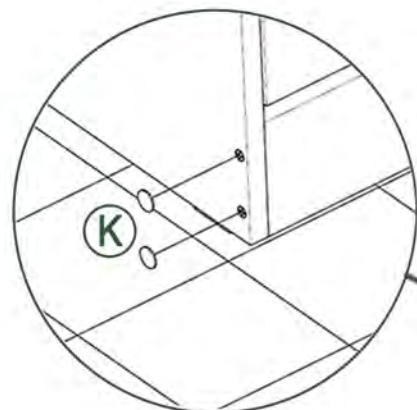
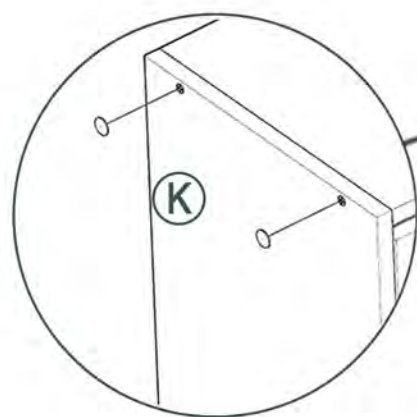
First, tighten half of the screws on the left and right shafts of the hopper to secure it. Then, tighten the screws on both sides to ensure even clearance of the door.



7.



8.





Scan the QR code to share your review