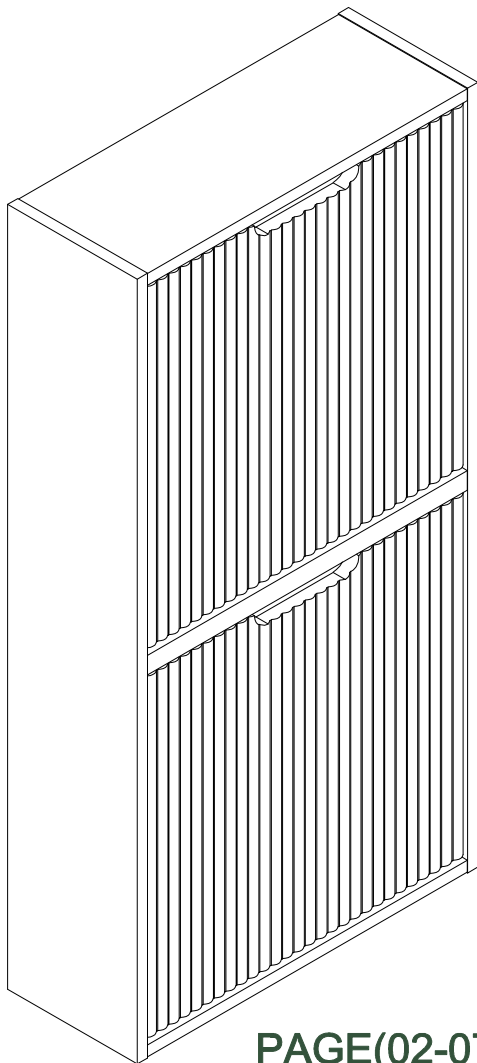
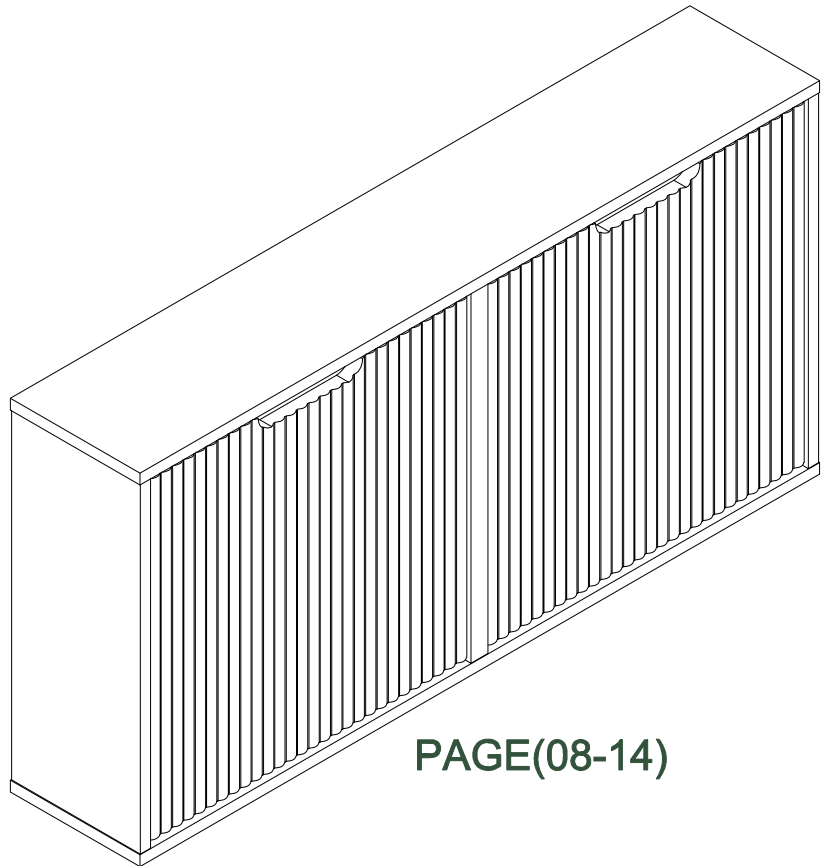




2025-01
FSR204

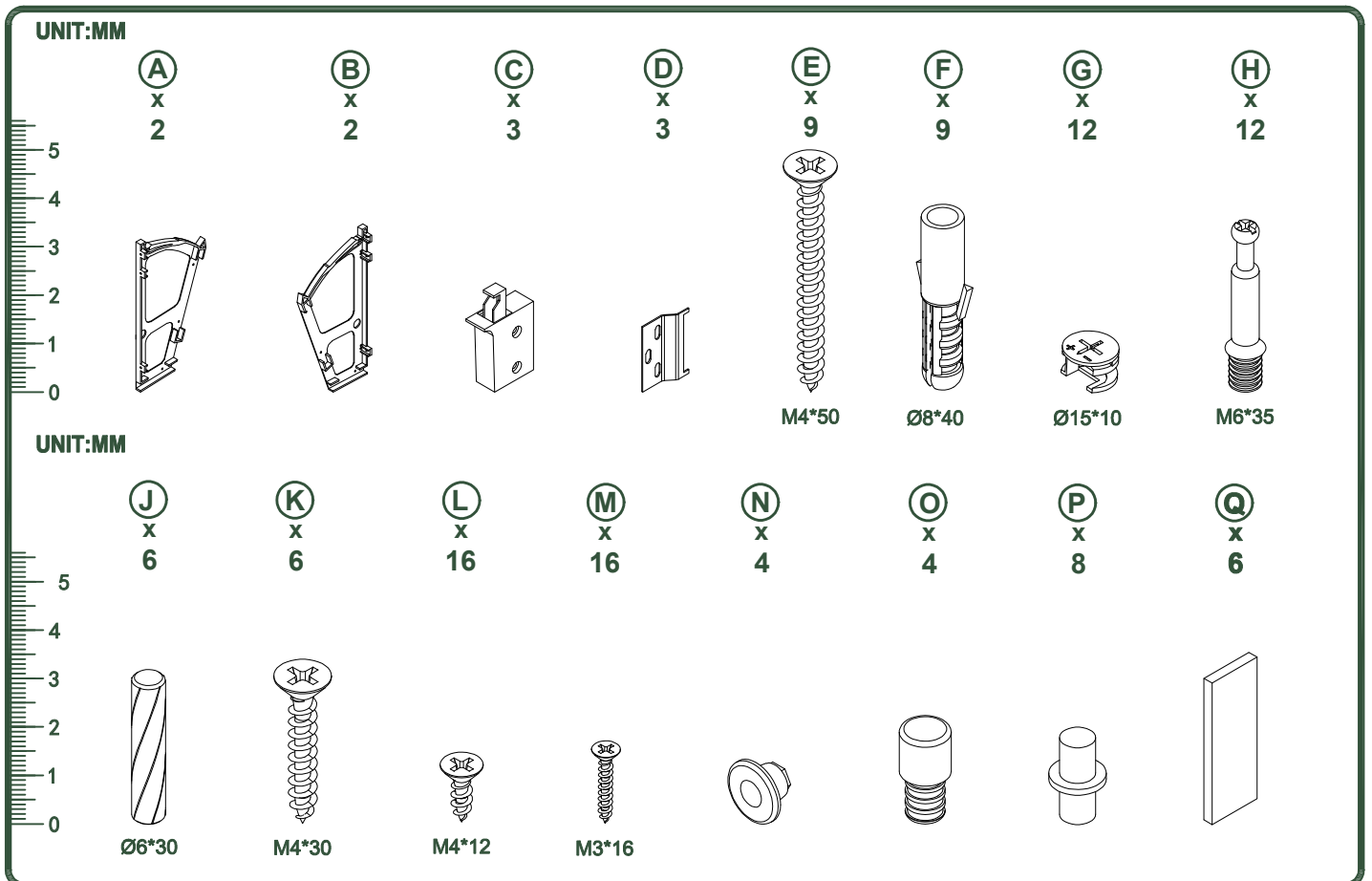
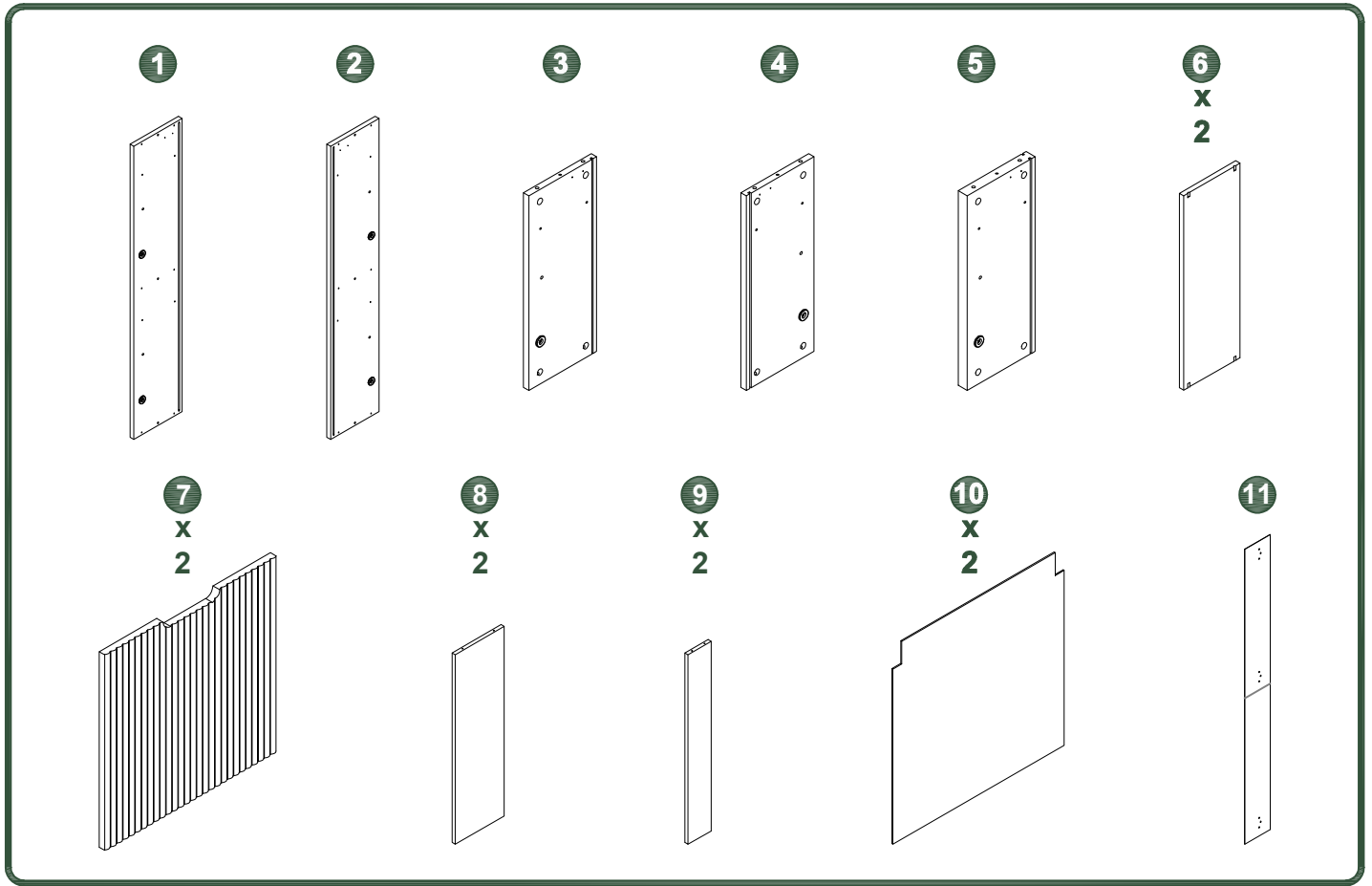
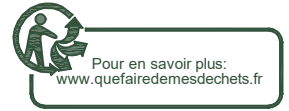
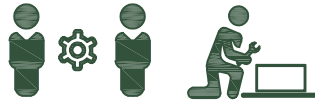
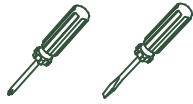


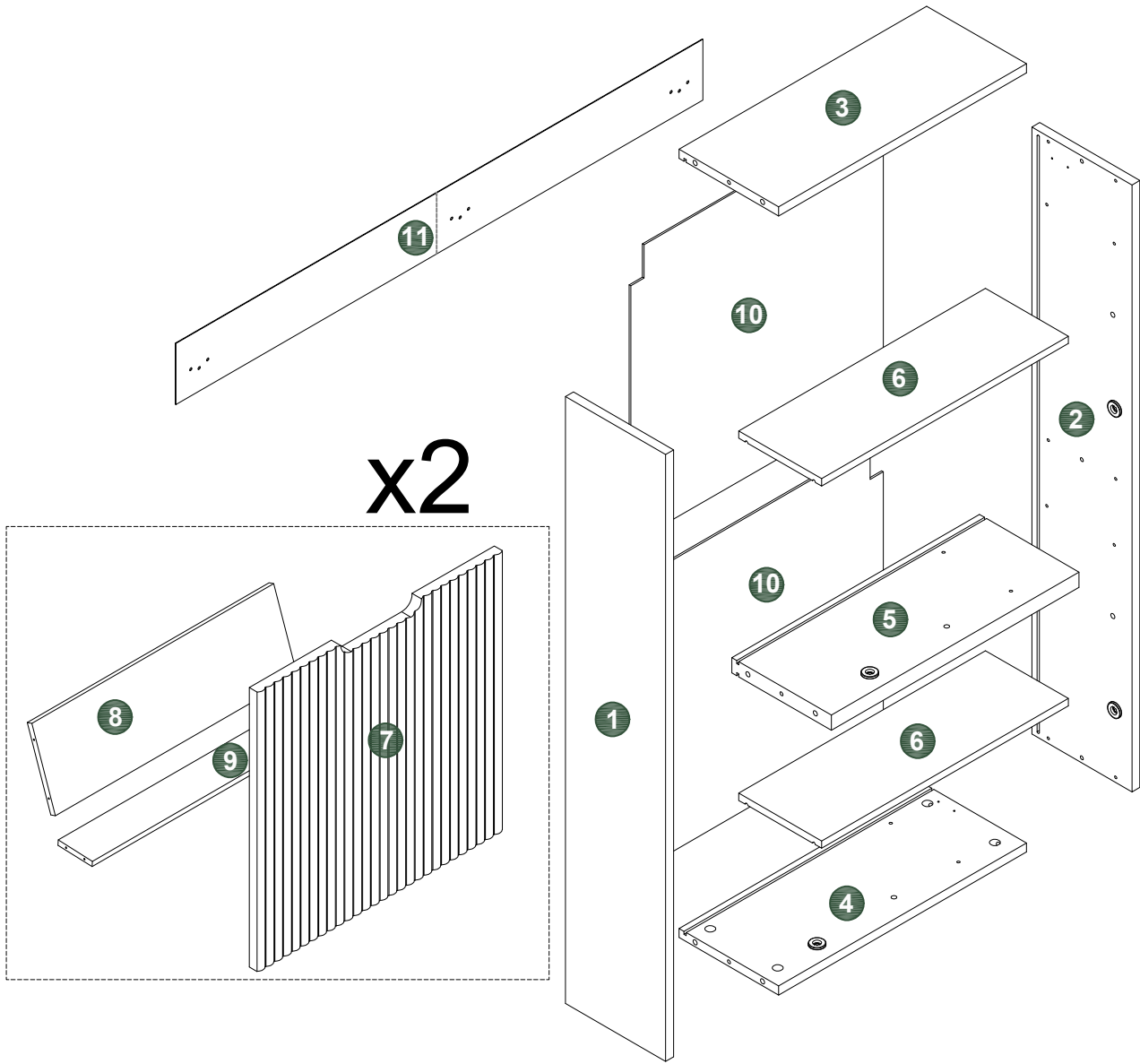
PAGE(02-07)



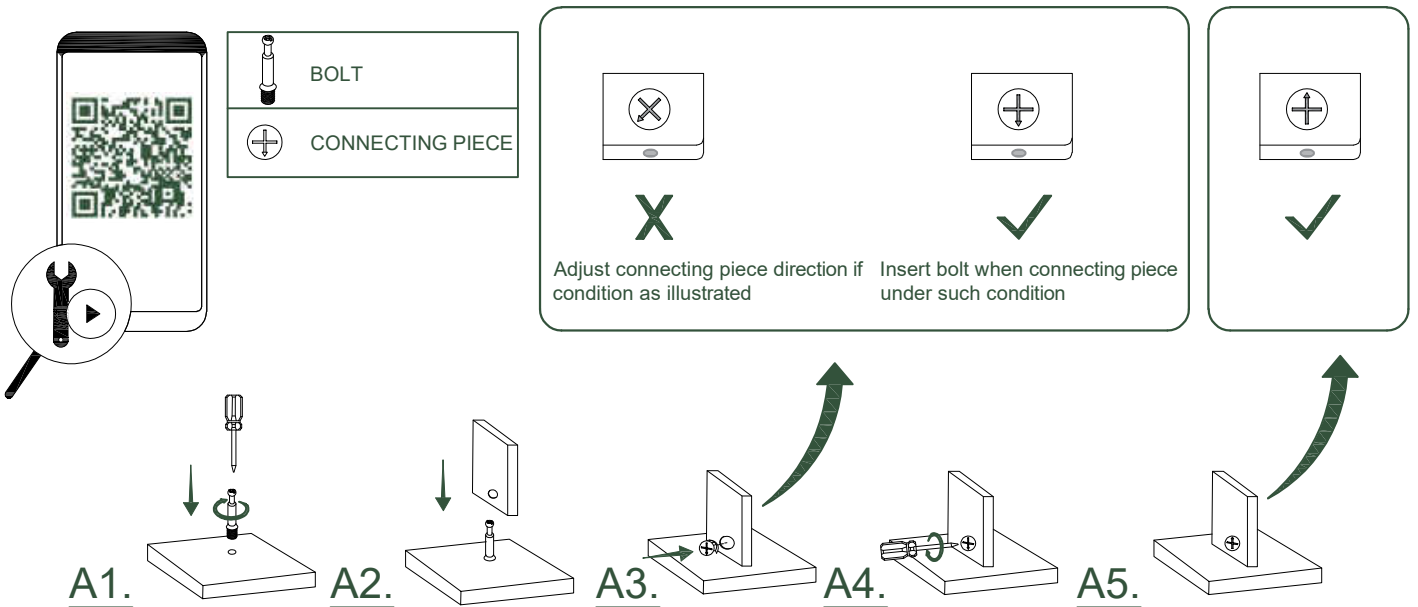
PAGE(08-14)

TOOLS:

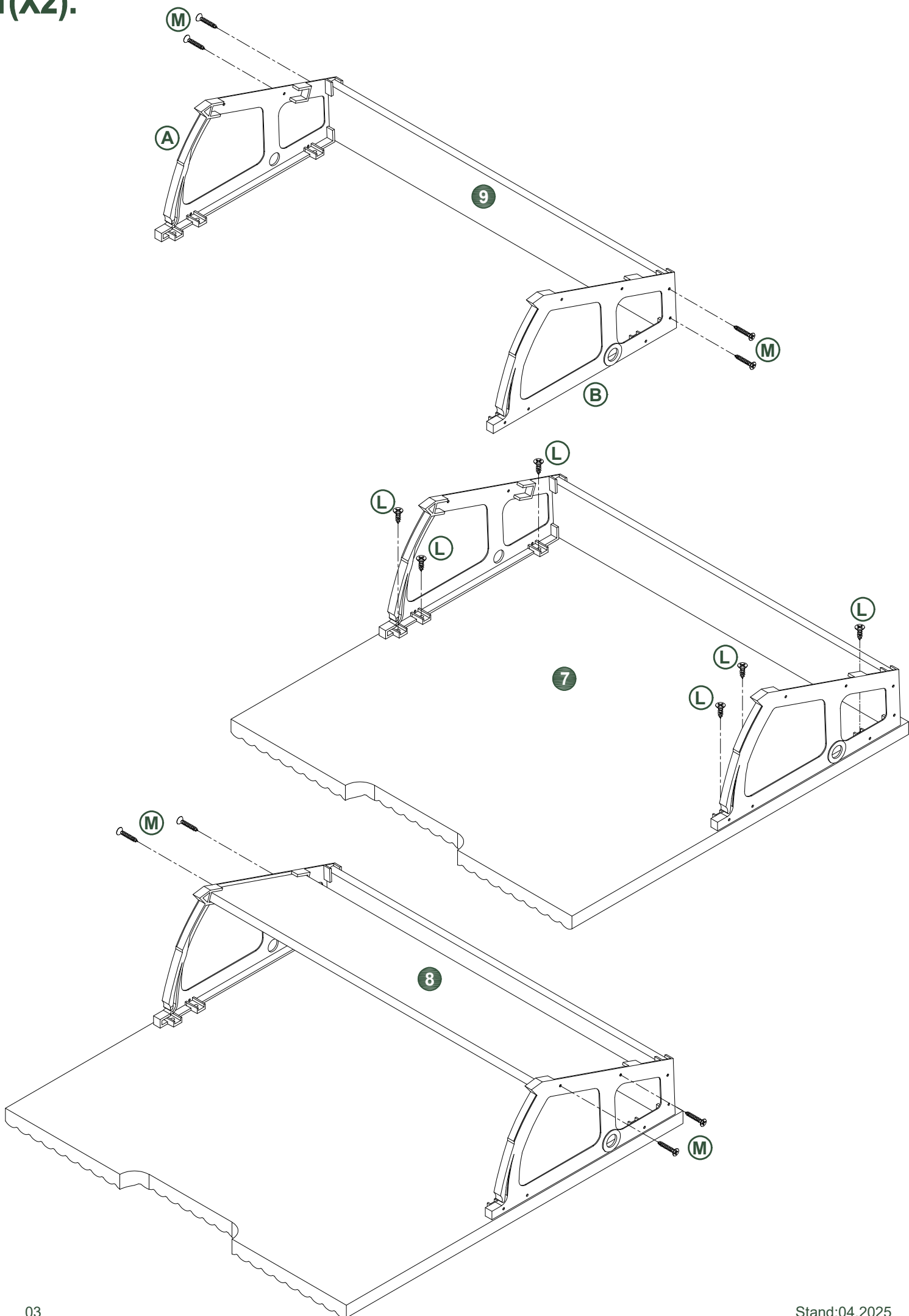


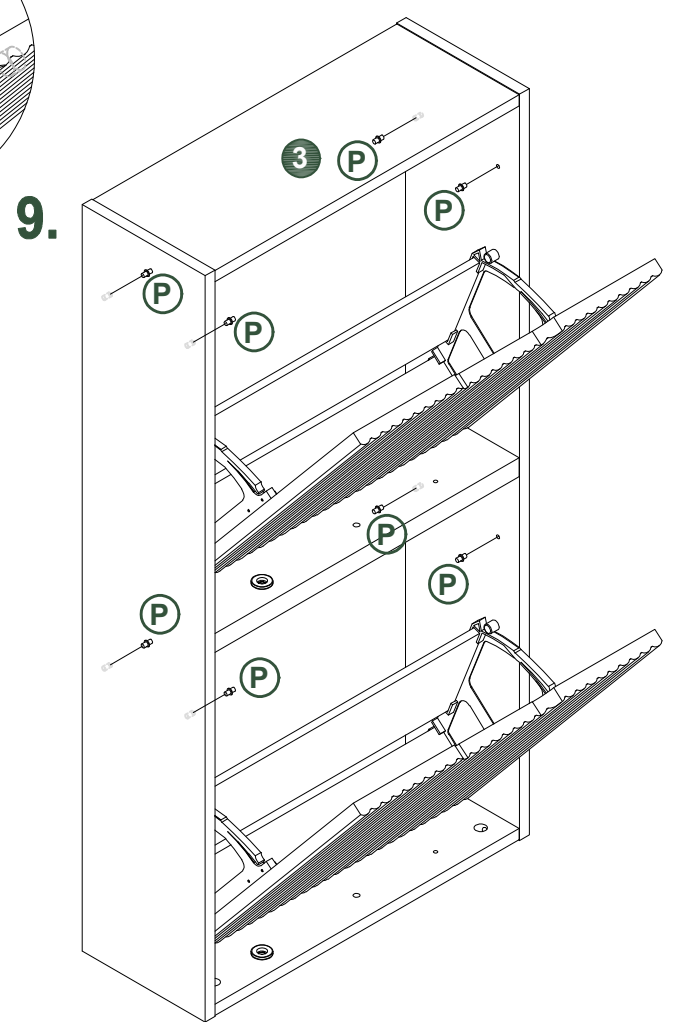
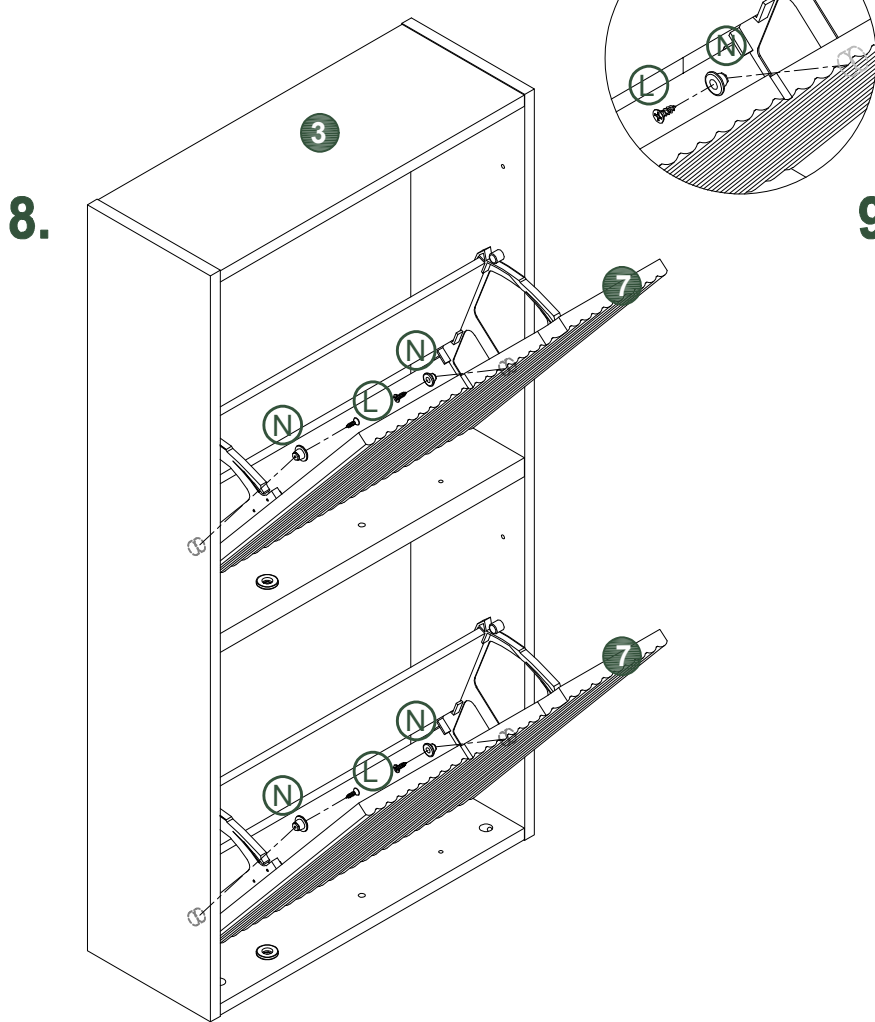
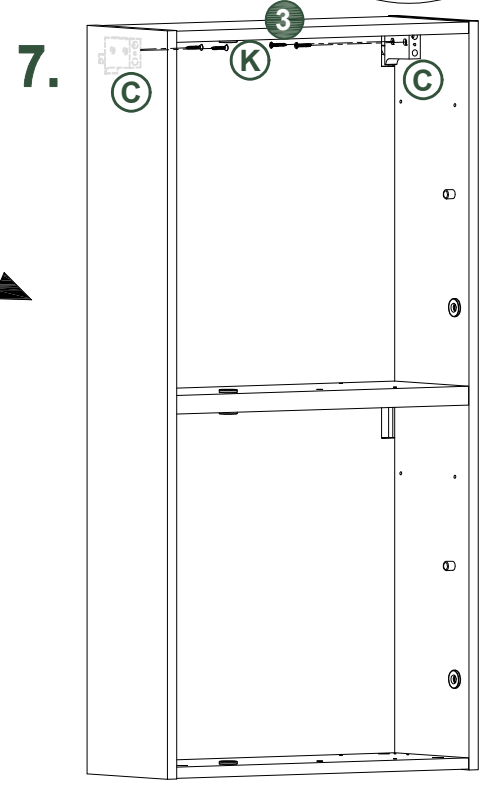
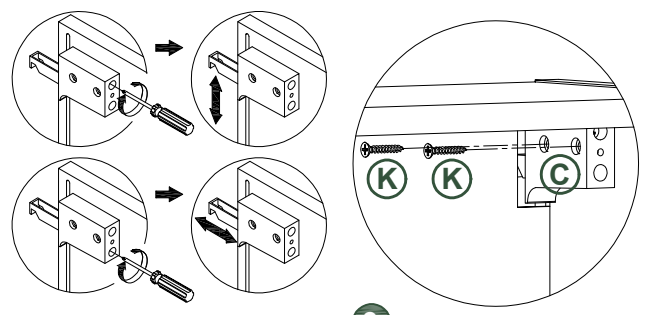
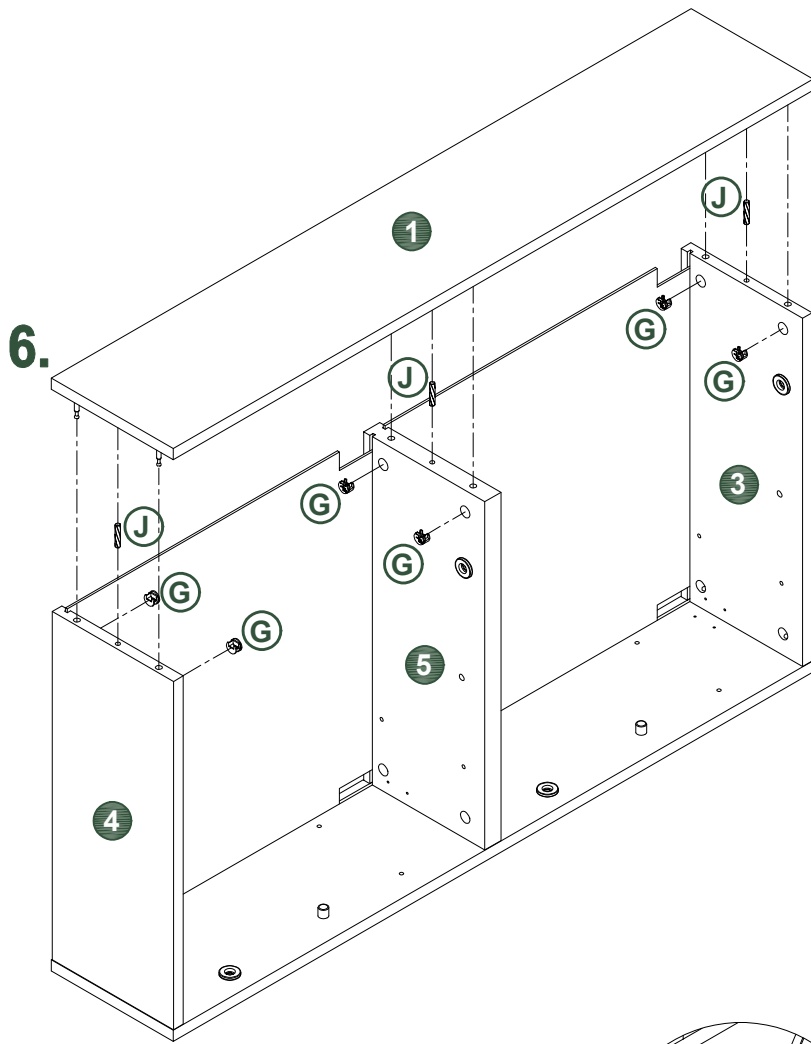


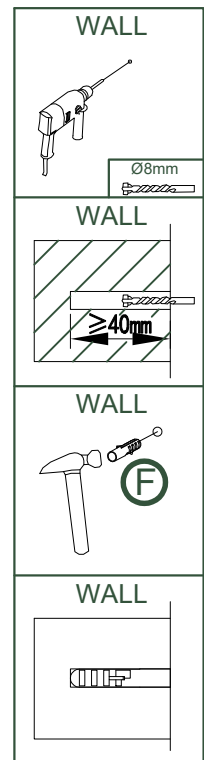
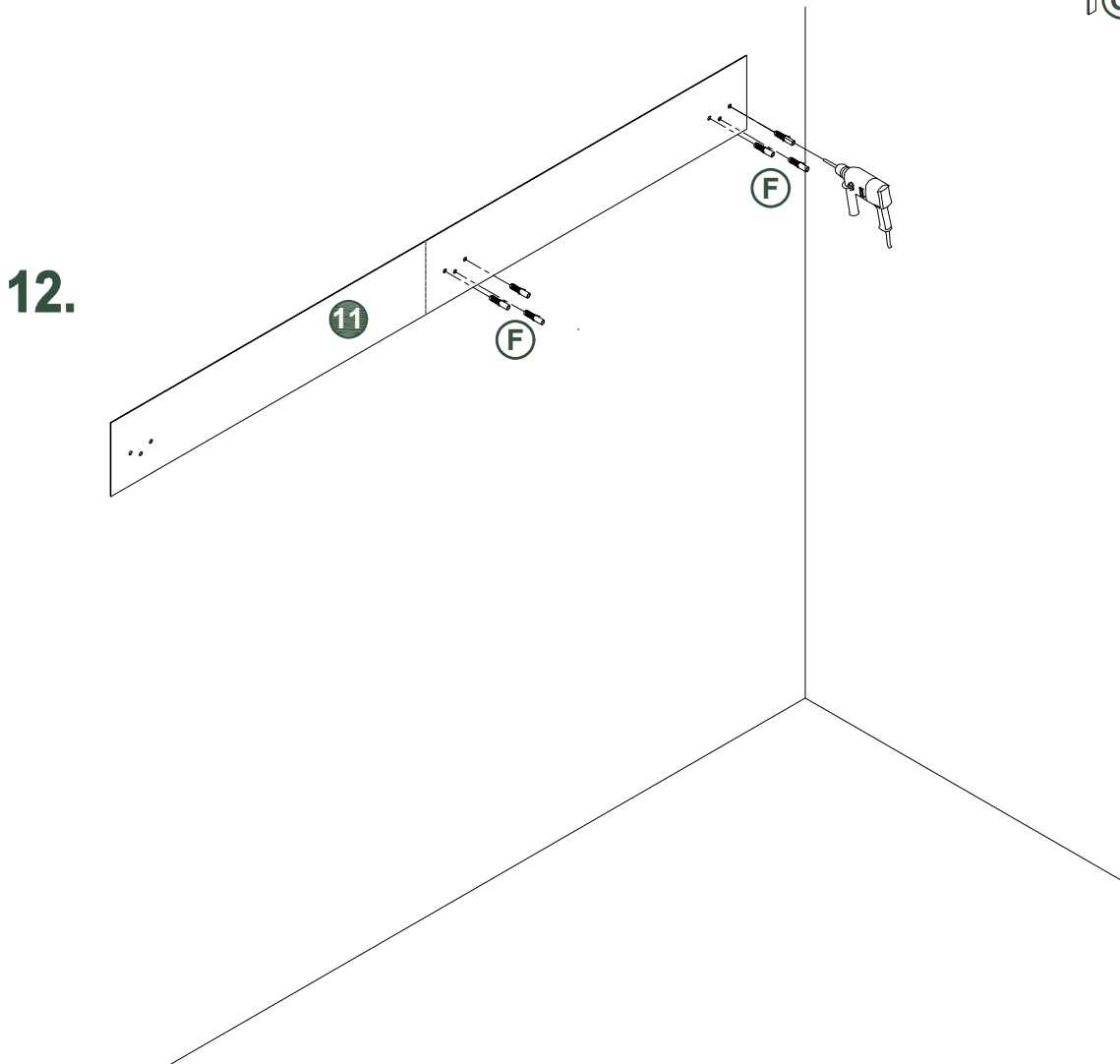
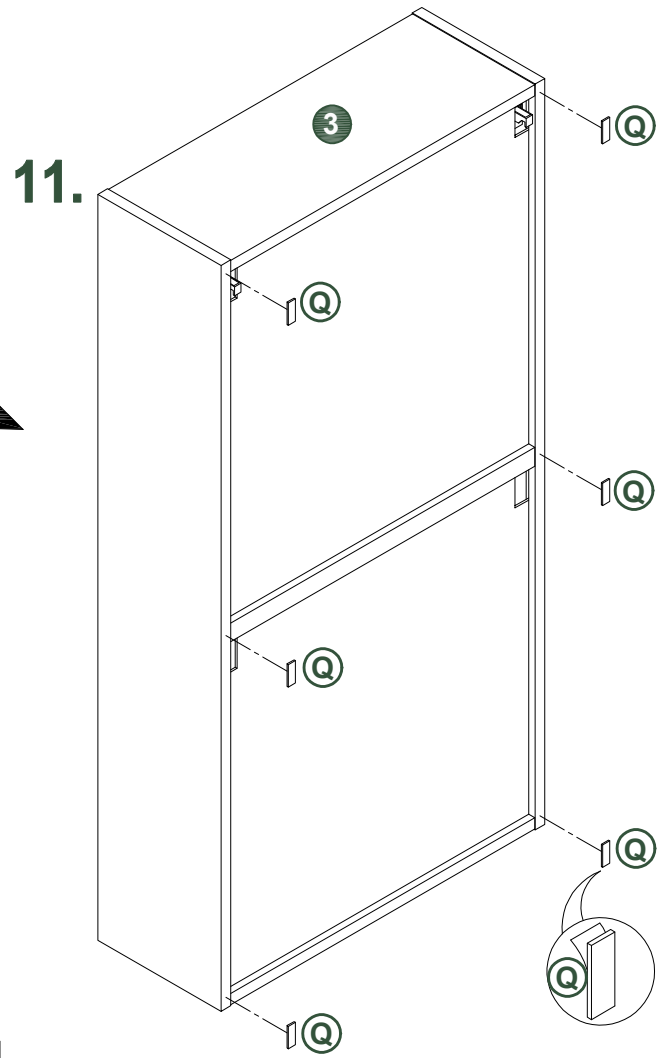
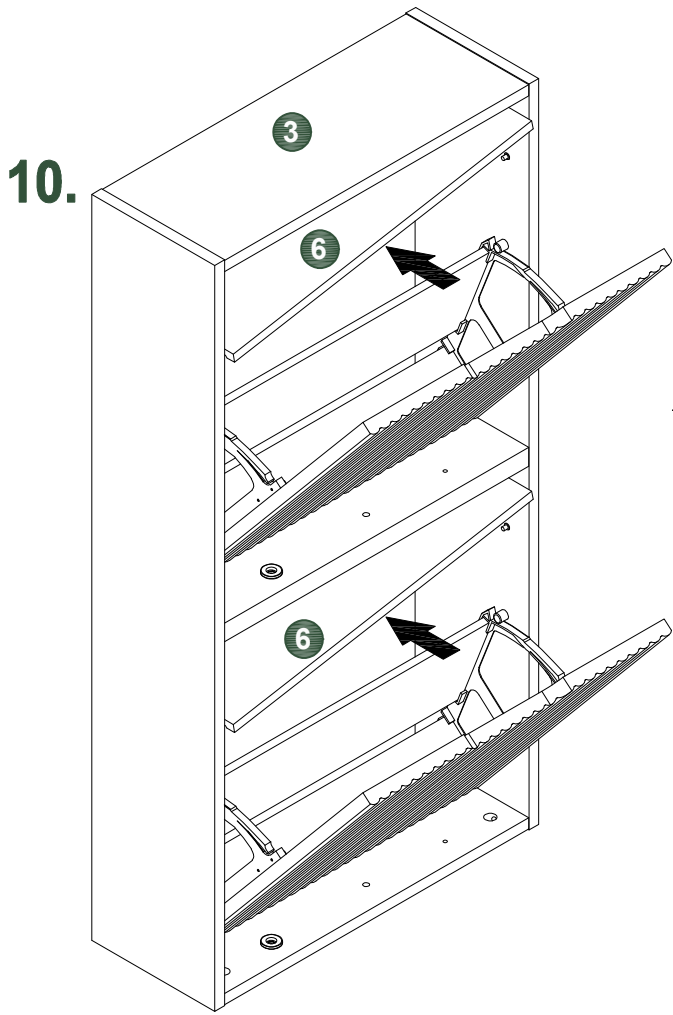
BOLT INSTALLATION AS BELOW:



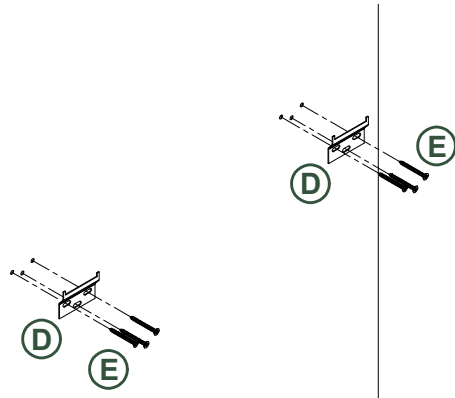
1(X2).



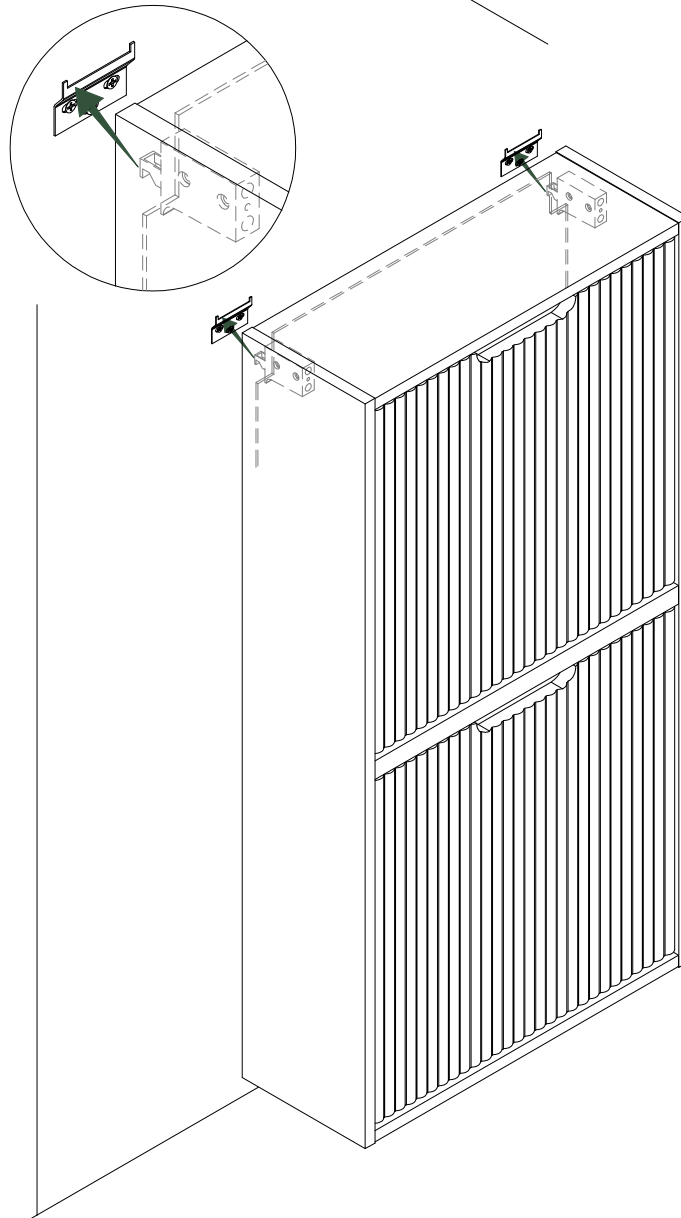


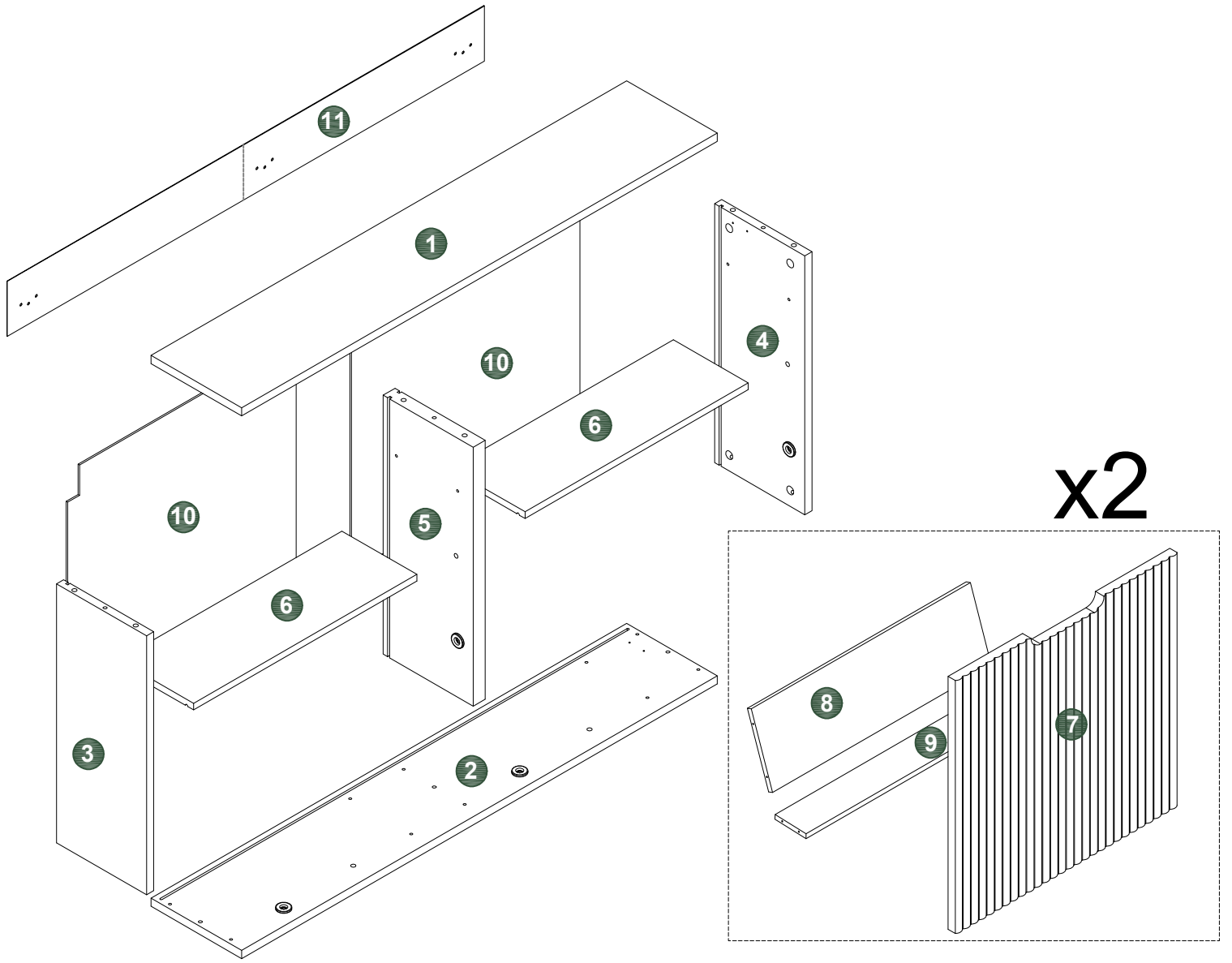


13.

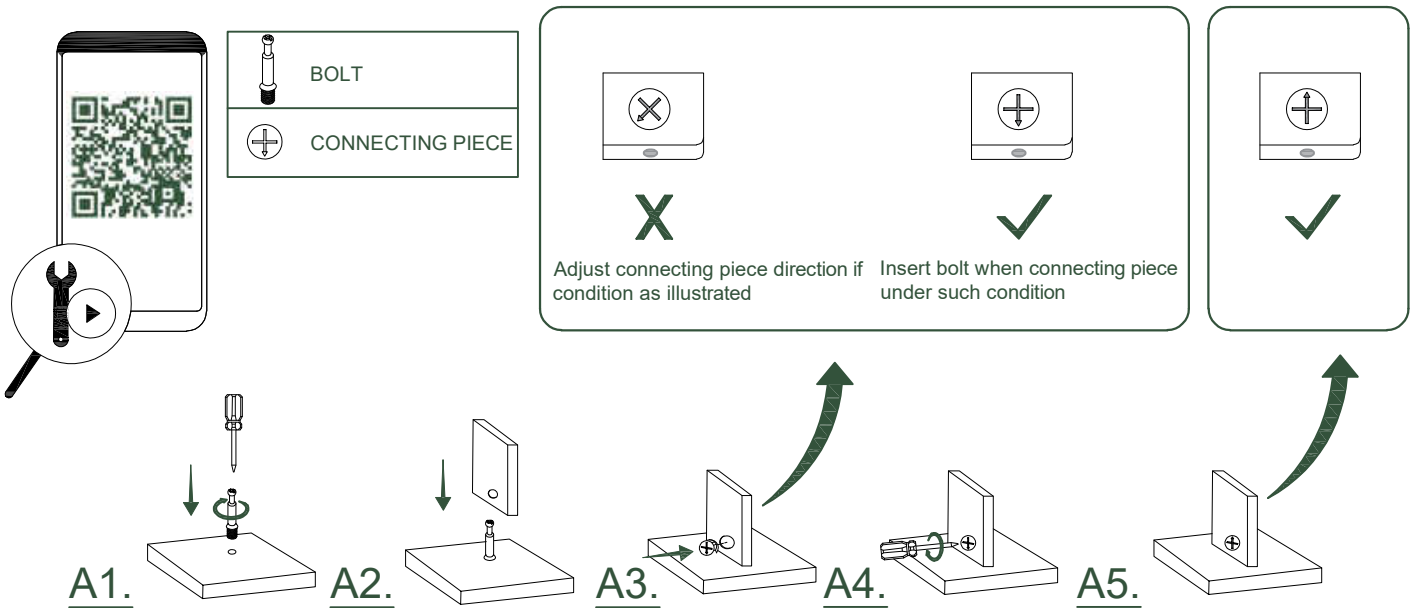


14.

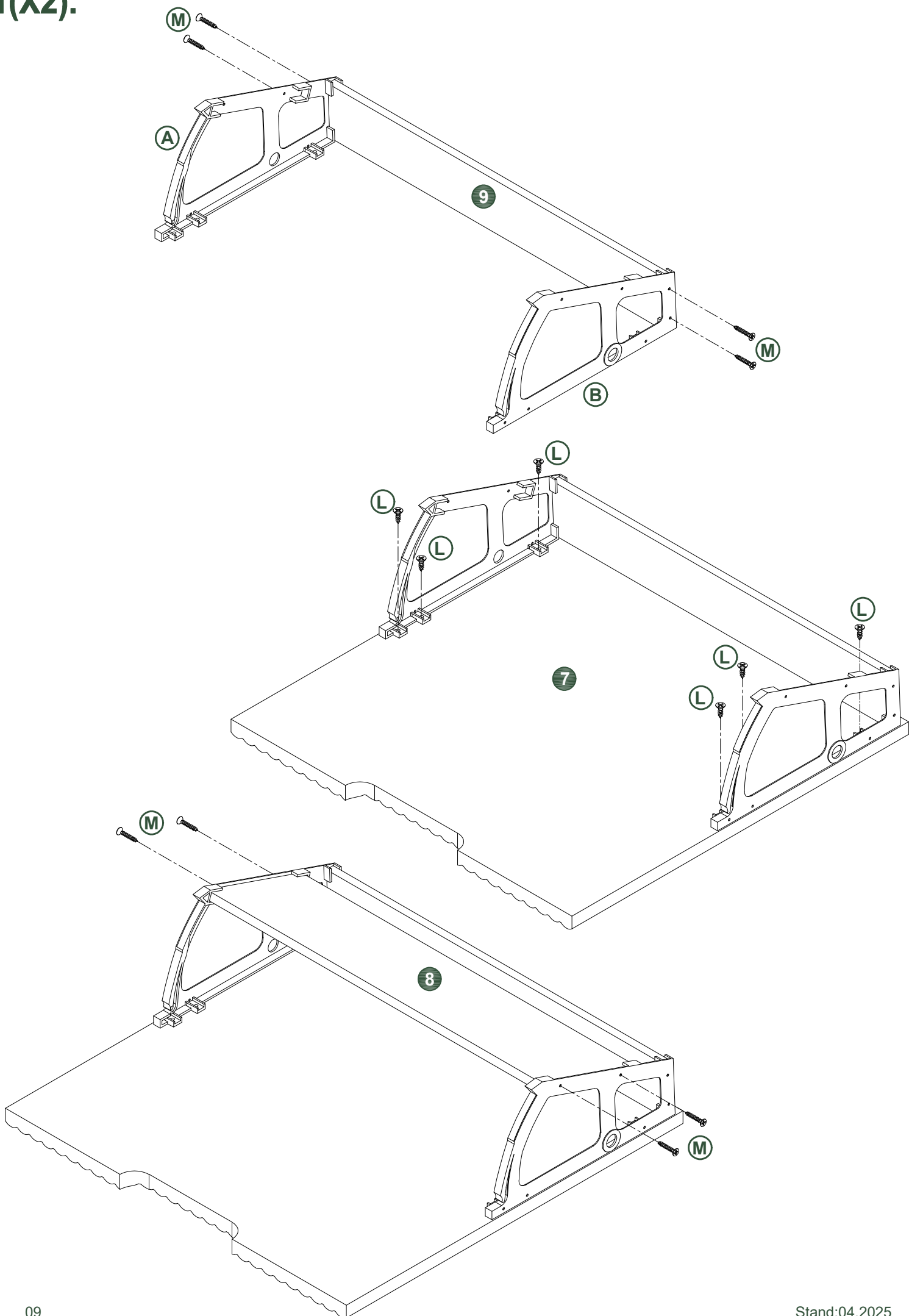




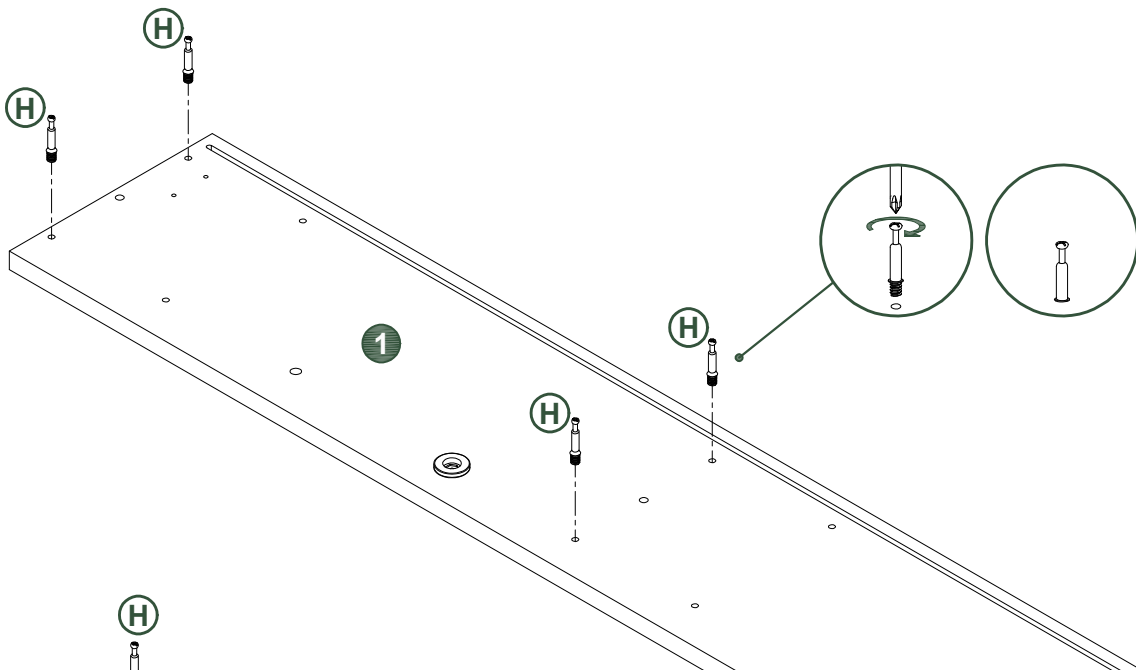
BOLT INSTALLATION AS BELOW:



1(X2).



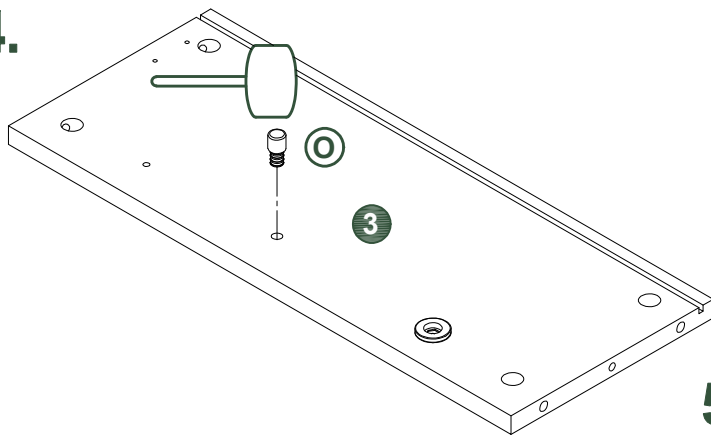
2.



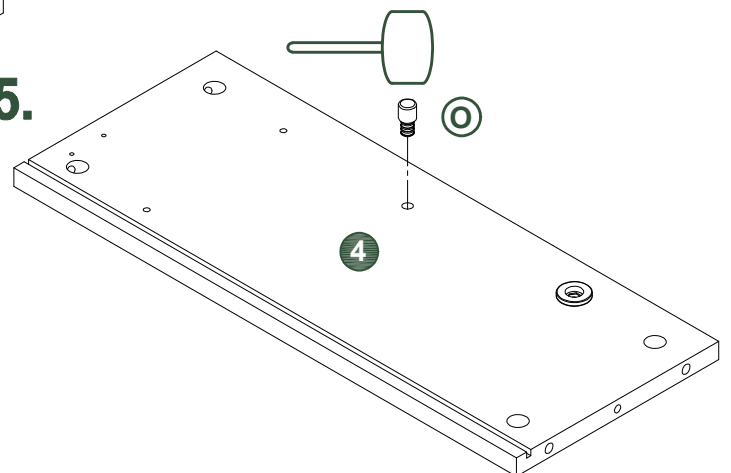
3.



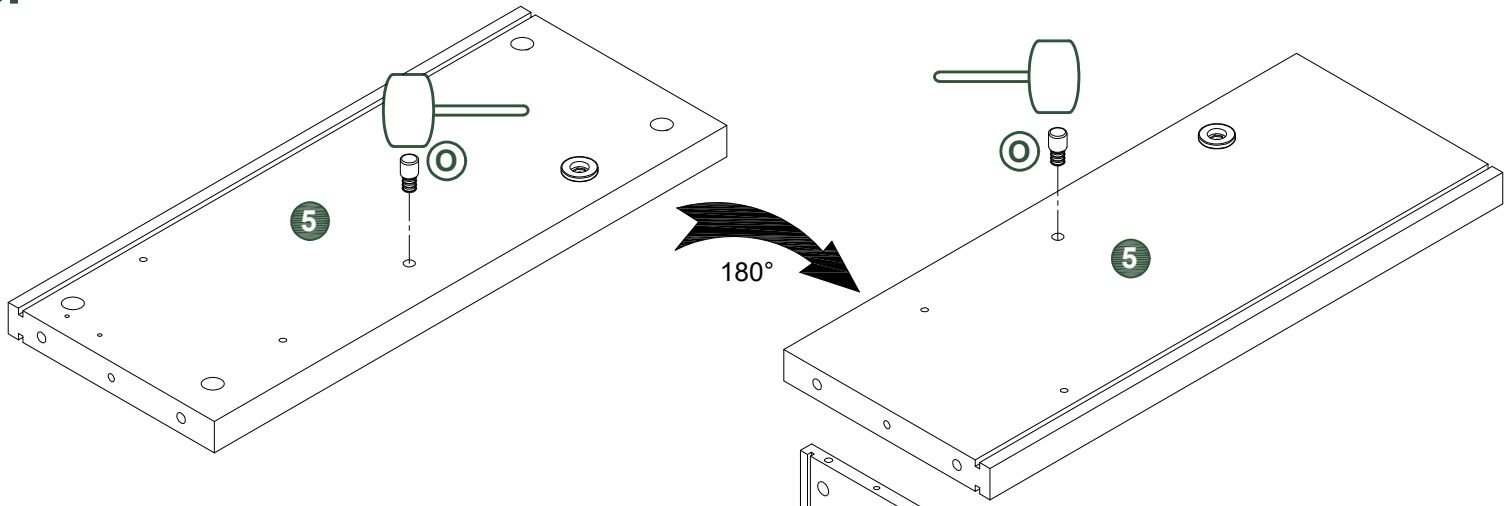
4.



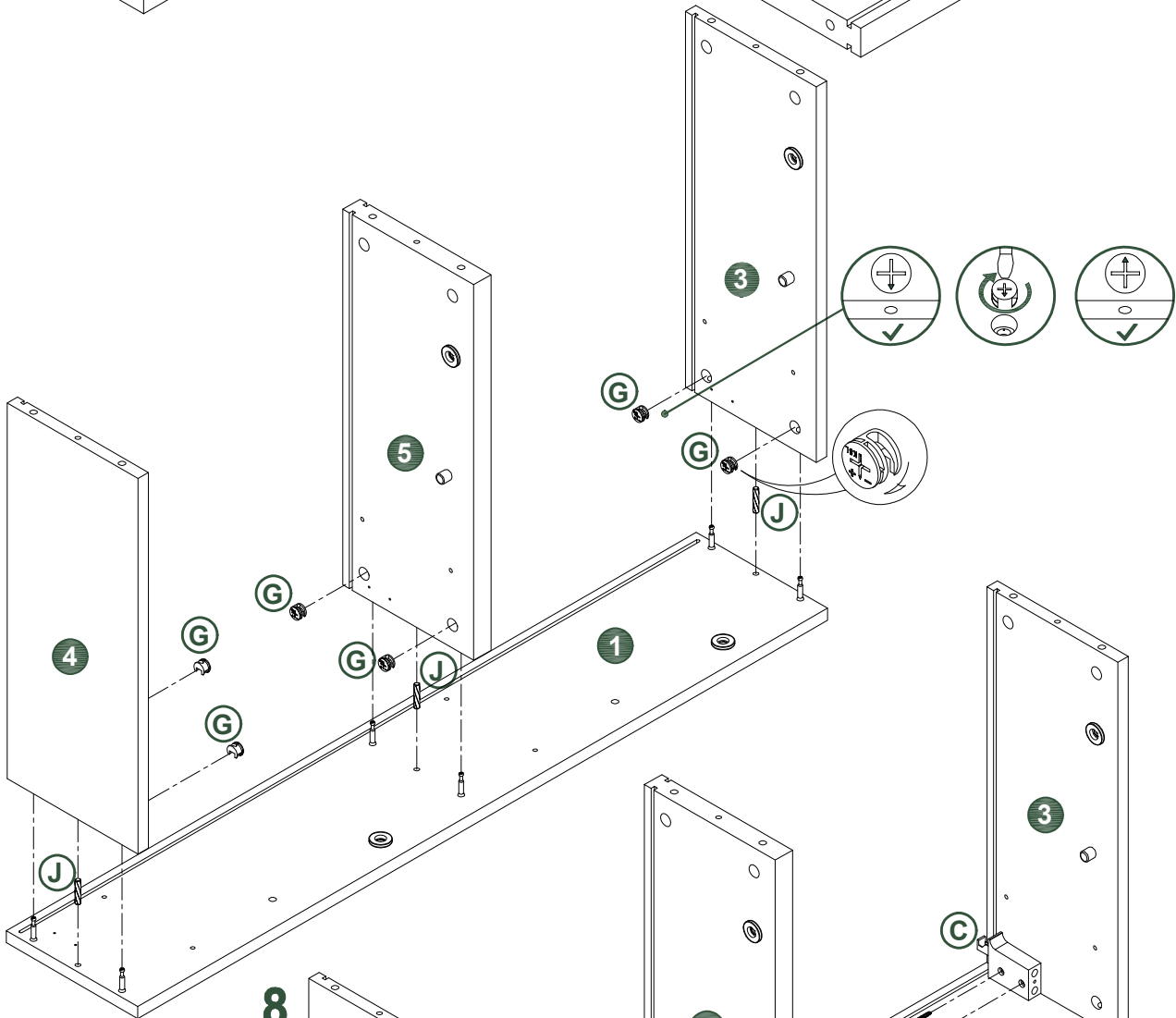
5.



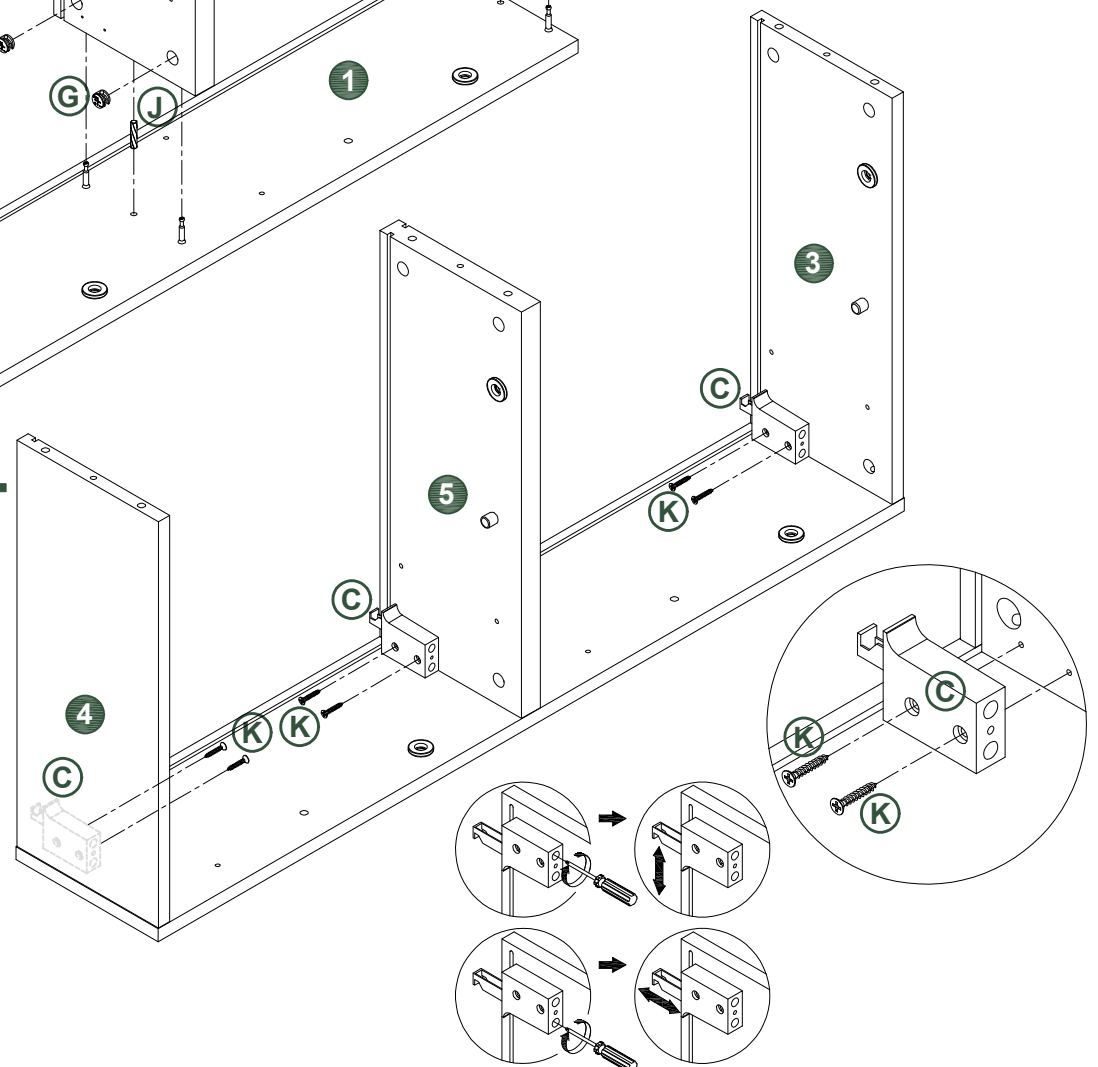
6.

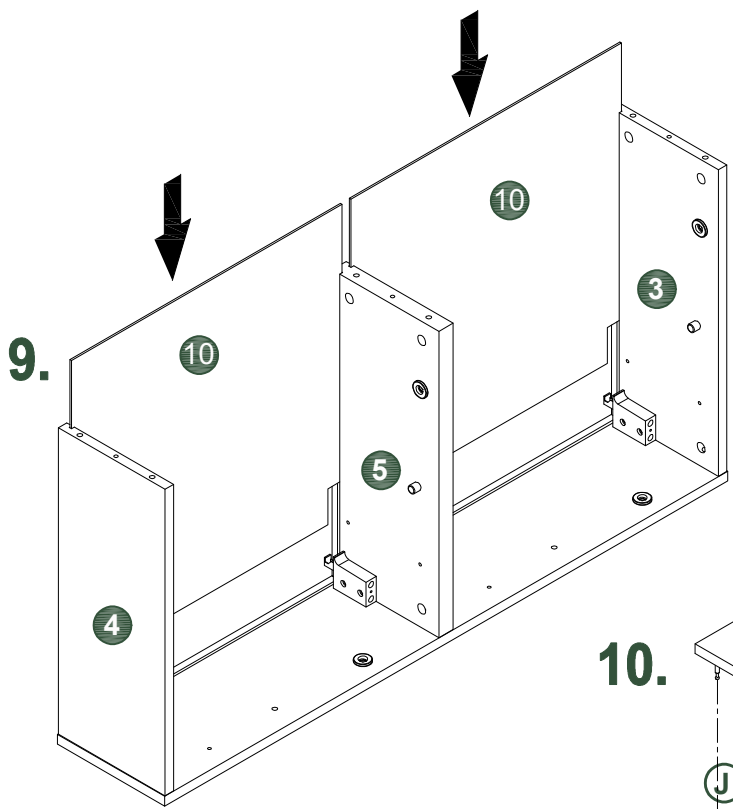


7.

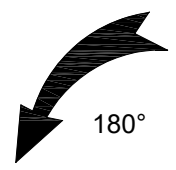
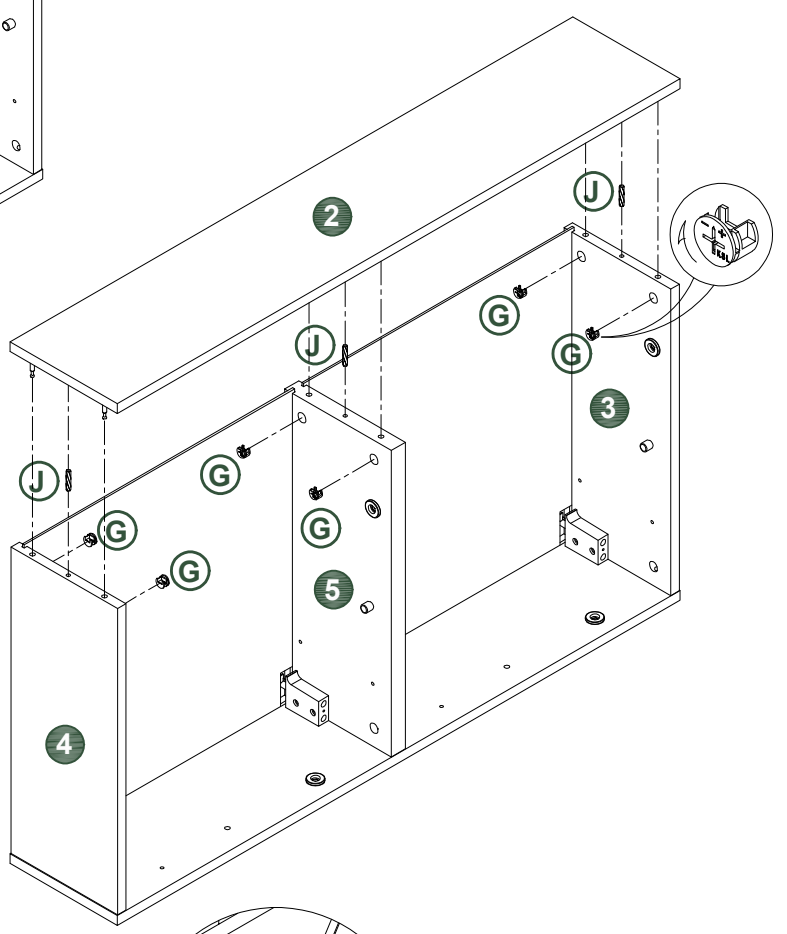


8.

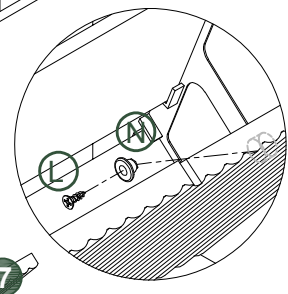
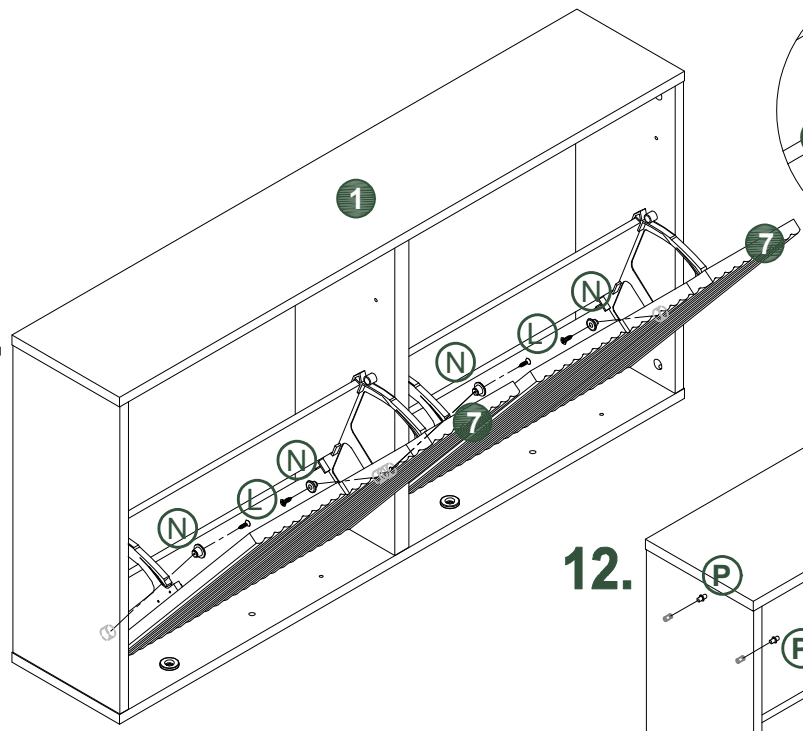




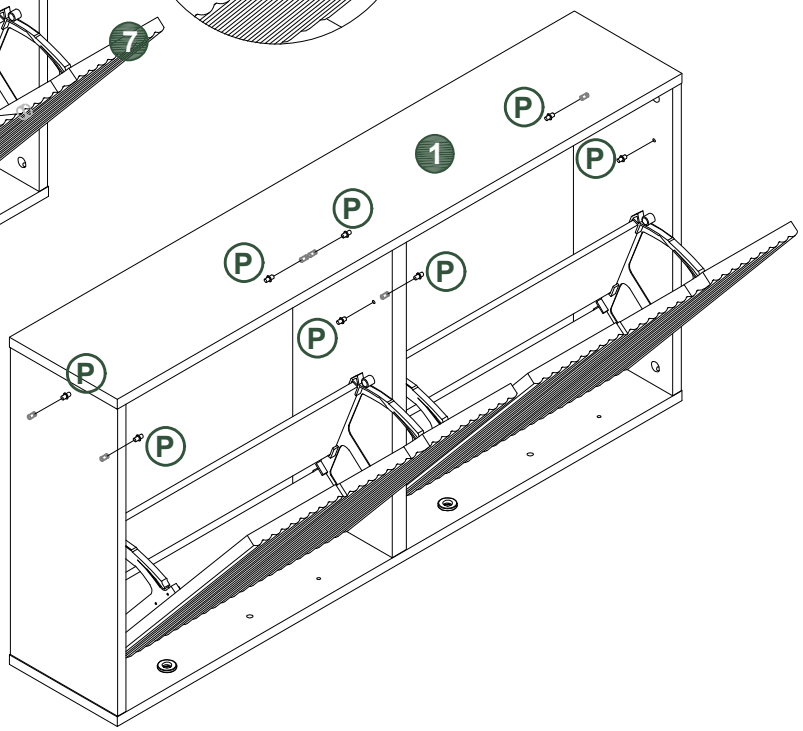
10.



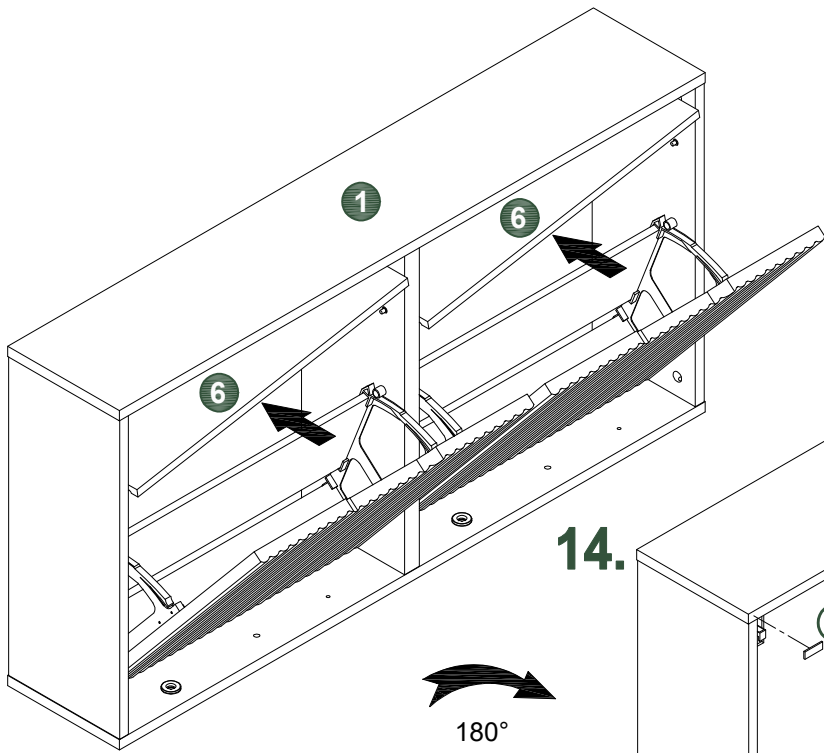
11.



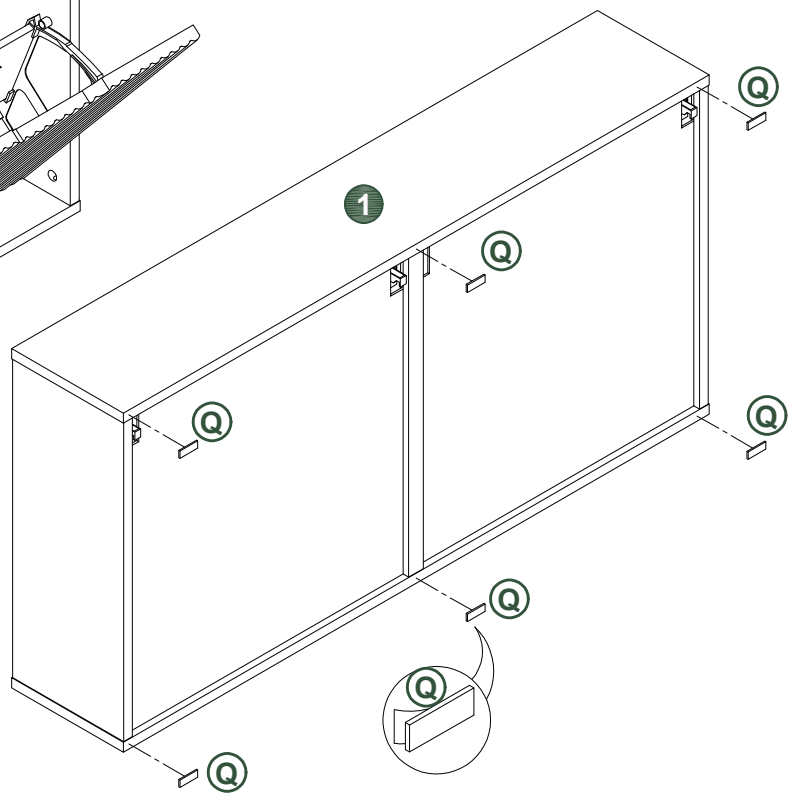
12.



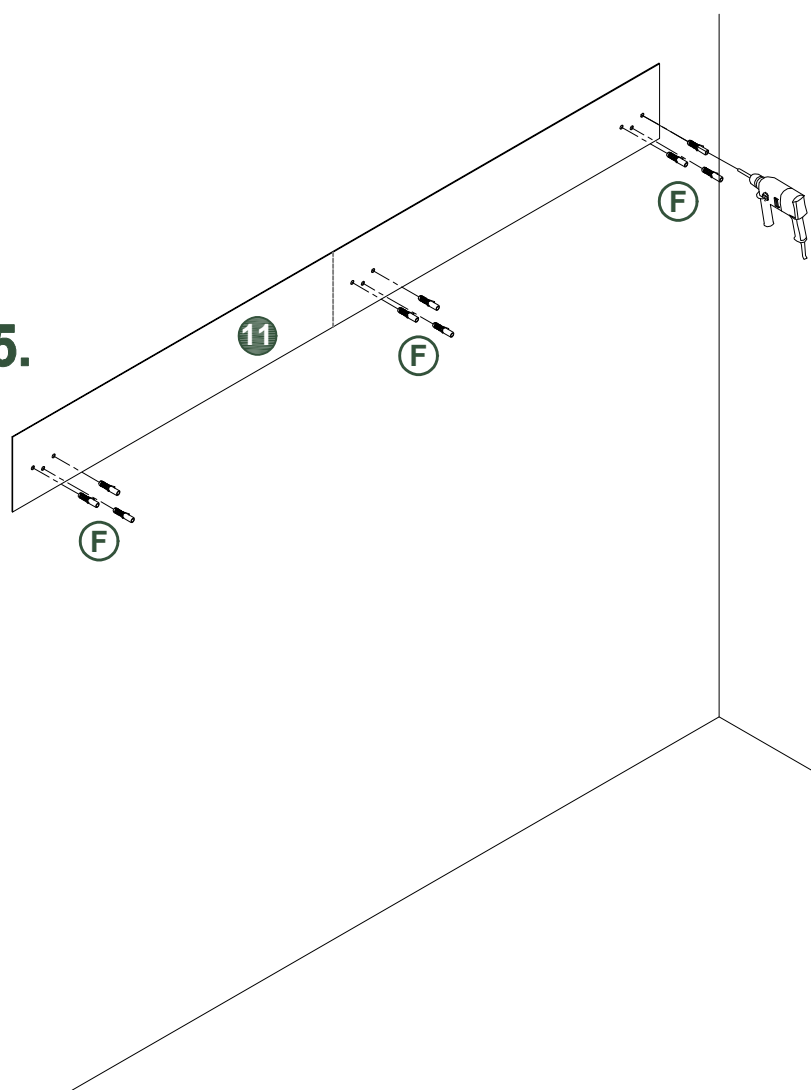
13.

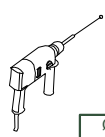
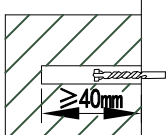

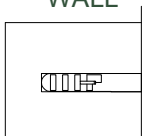


14.

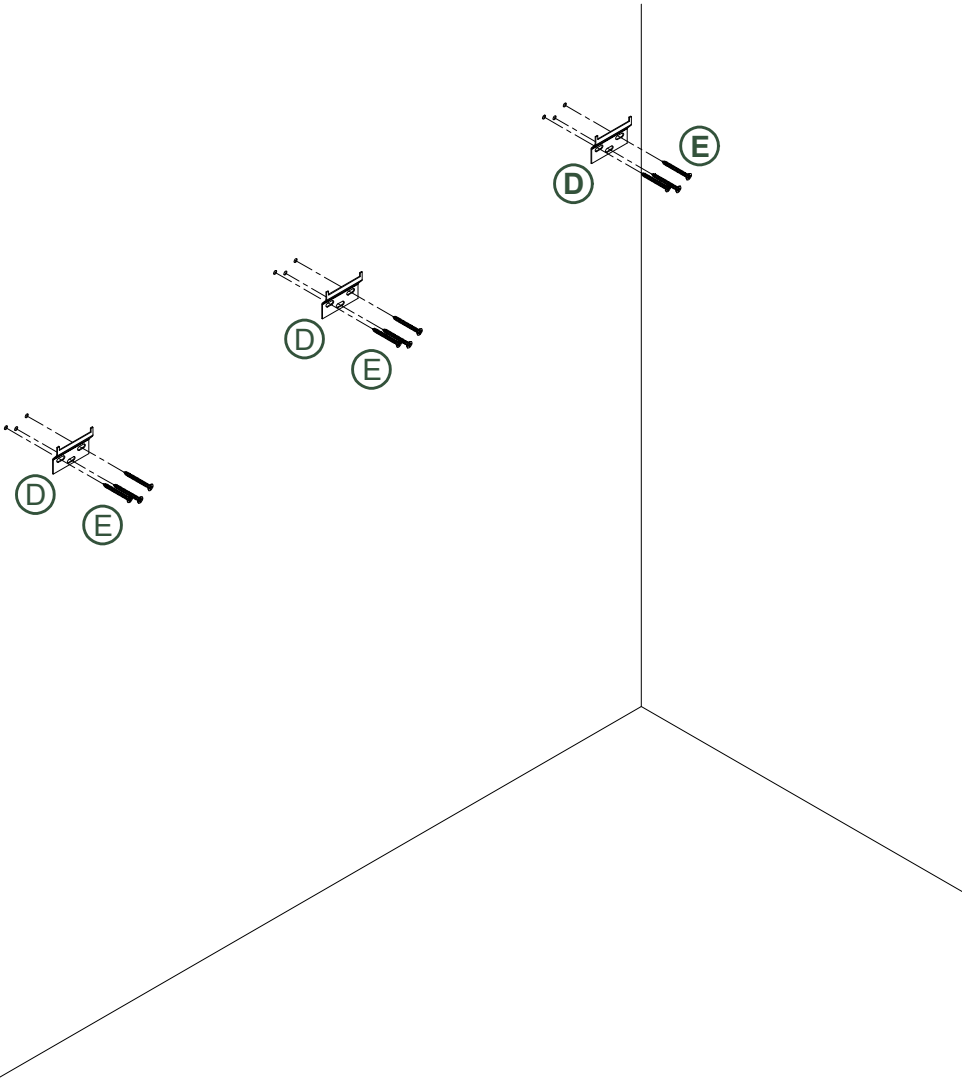


15.

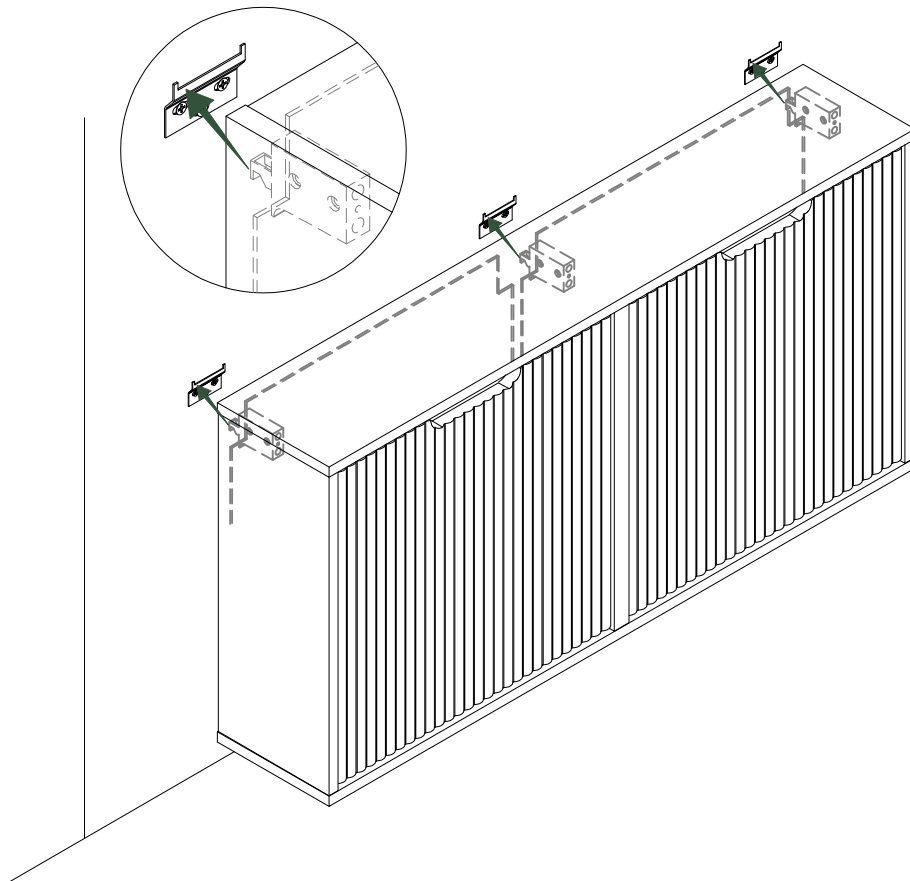


WALL		$\varnothing 8\text{mm}$
WALL		$\geq 40\text{mm}$
WALL		(F)
WALL		

16.



17.





Scan the QR code to answer a short survey



Scan the QR code to share your review