




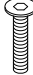
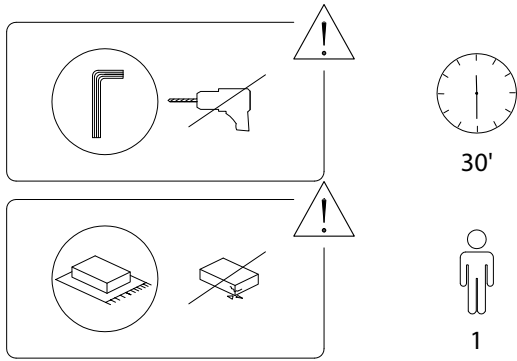
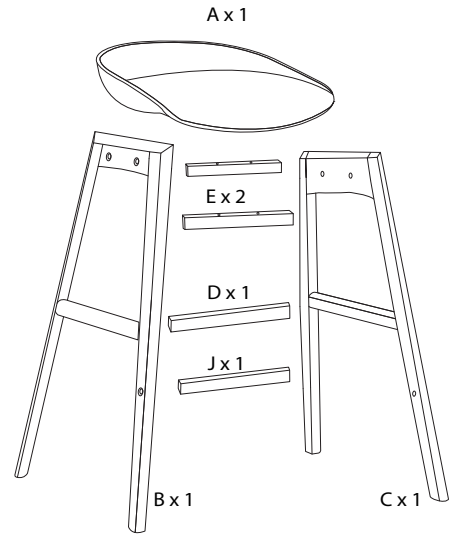

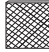





<b>A</b>  x1	<b>B</b>  x1	<b>C</b>  x1	<b>D</b>  x1	<b>E</b>  x2	<b>F</b>  M6 x 40 x8
---	--	--	---	---	---



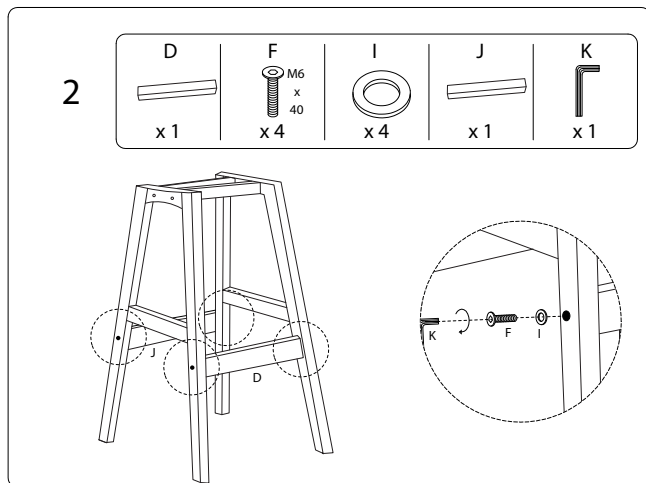
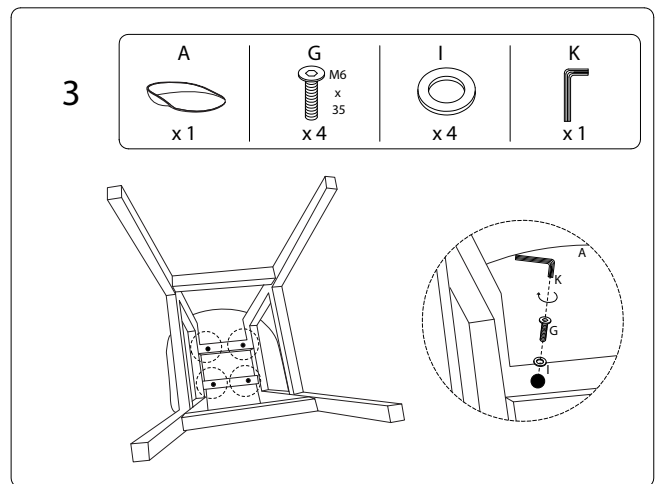
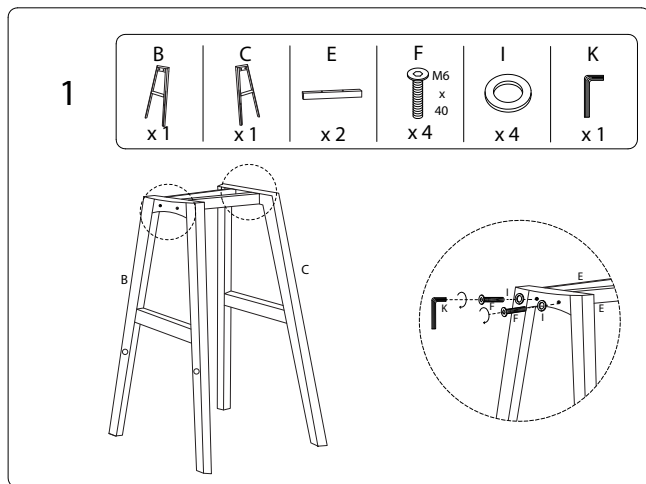
1/4

977/MCCO/200919/

<b>G</b>  M6 x 35 x4	<b>H</b>  x4	<b>I</b>  x12	<b>J</b>  x1	<b>K</b>  x1
---	---	--	---	---

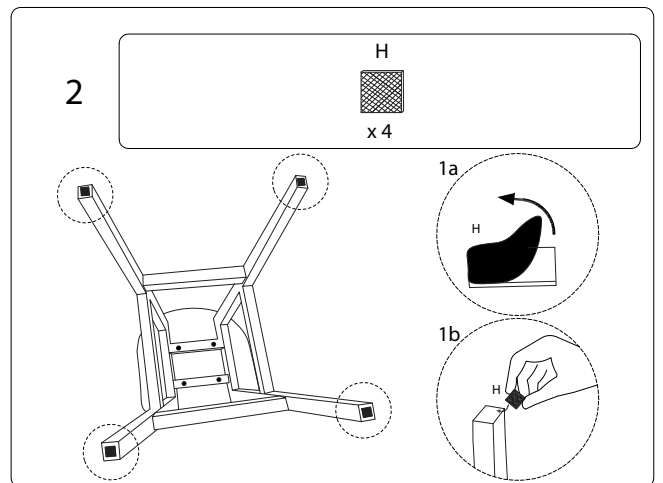
2/4

977/MCCO/200919/



3/4

977/MCCO/200919/



4/4

977/MCCO/200919/