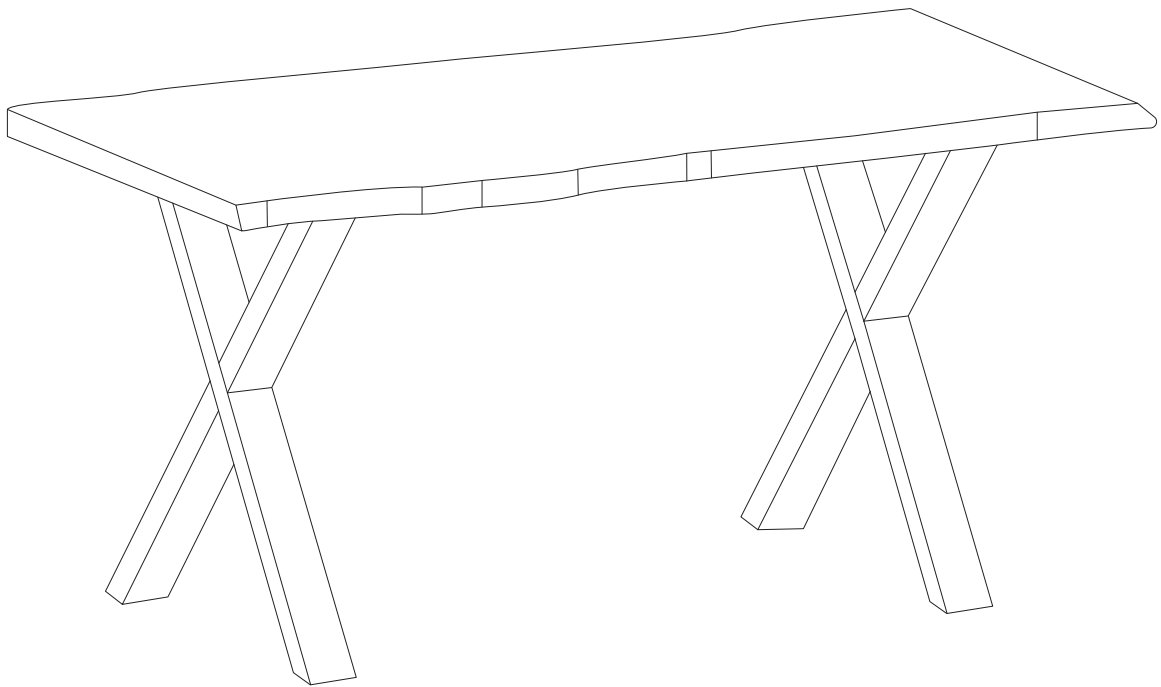


BROOKE



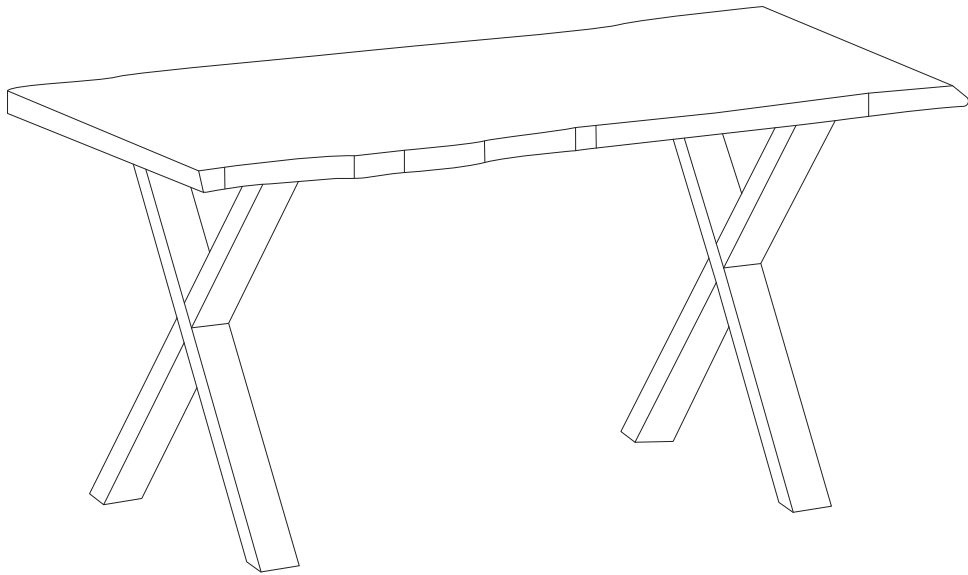
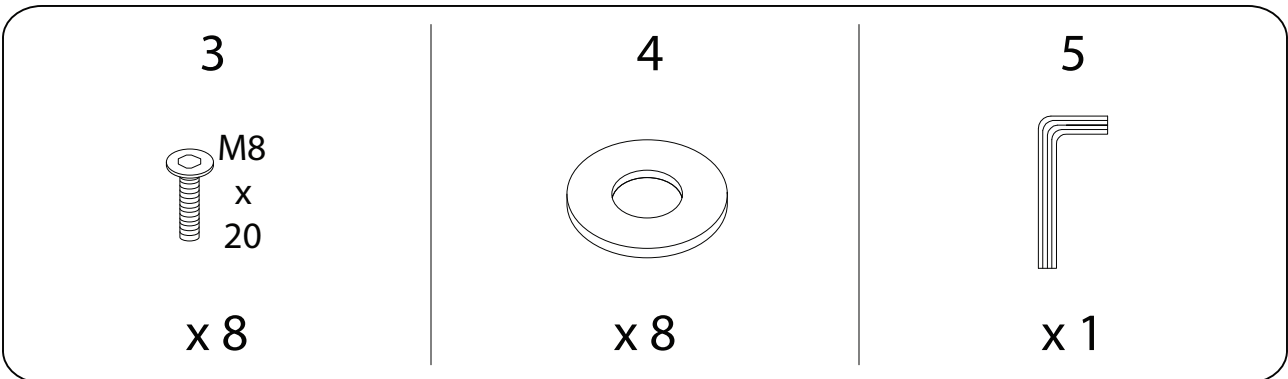
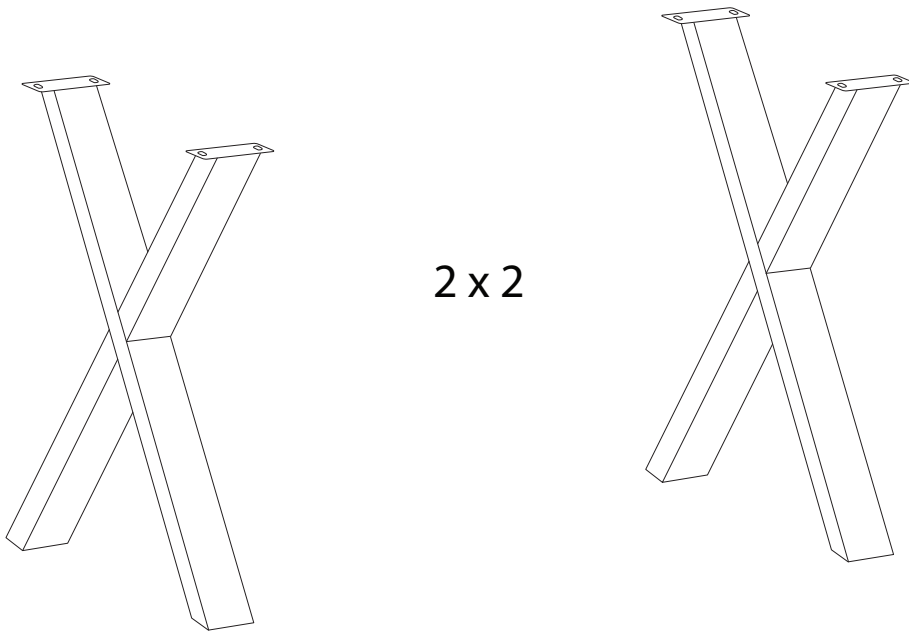
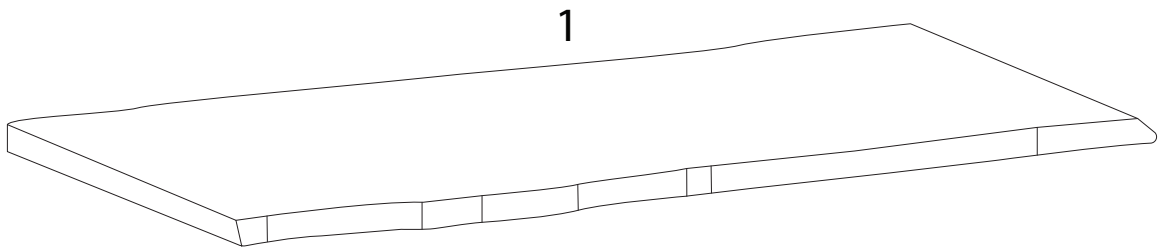
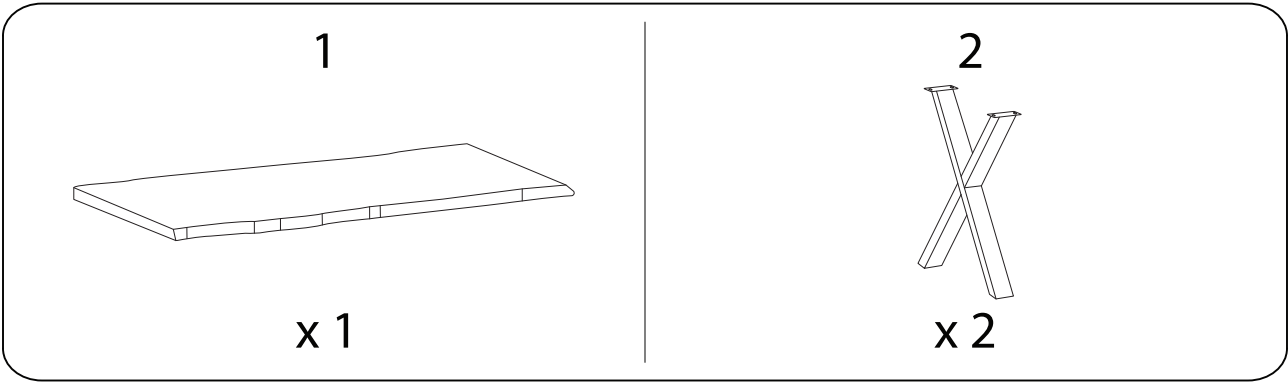



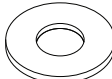
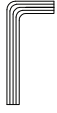


Diagram illustrating assembly instructions and safety warnings:

- Warning 1:** A warning triangle with an exclamation mark is positioned above a box containing an L-shaped bracket and a crossed-out power drill icon, indicating that a power drill should not be used for this step.
- Warning 2:** A second warning triangle with an exclamation mark is positioned above a box containing a rectangular block being placed on a surface and a crossed-out icon of a block being lifted, indicating a lifting or placement warning.
- Time:** A clock icon is shown next to the text "20'", indicating a 20-minute assembly time.
- Personnel:** An icon of a person is shown next to the number "2", indicating that two people are required for assembly.



1

<p>1</p>  <p>x 1</p>	<p>2</p>  <p>x 2</p>	<p>3</p>  <p>M8 x 20</p> <p>x 8</p>	<p>4</p>  <p>x 8</p>	<p>5</p>  <p>x 1</p>
---	---	--	---	---

