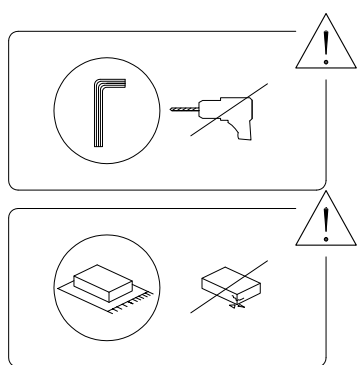
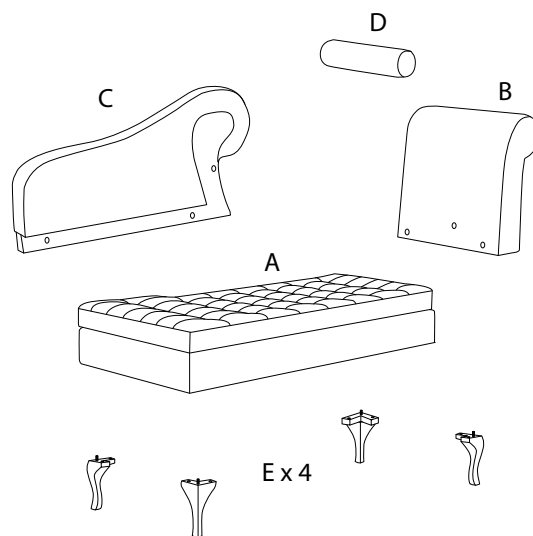


A x 1	B x 1	C x 1	D x 1	E x 4
---------------------	---------------------	---------------------	---------------------	---------------------



20'



1

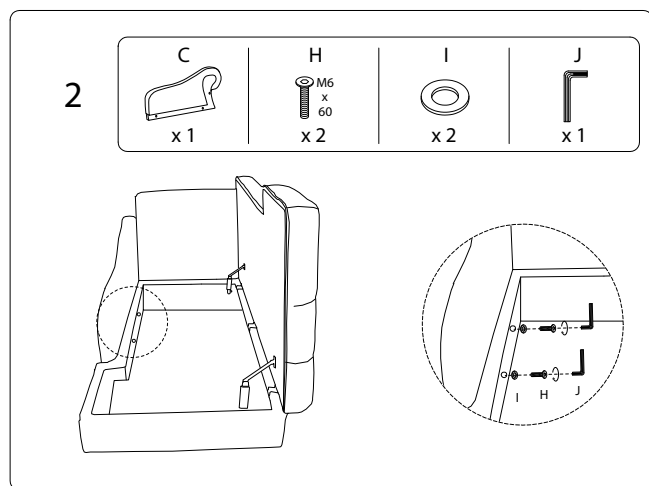
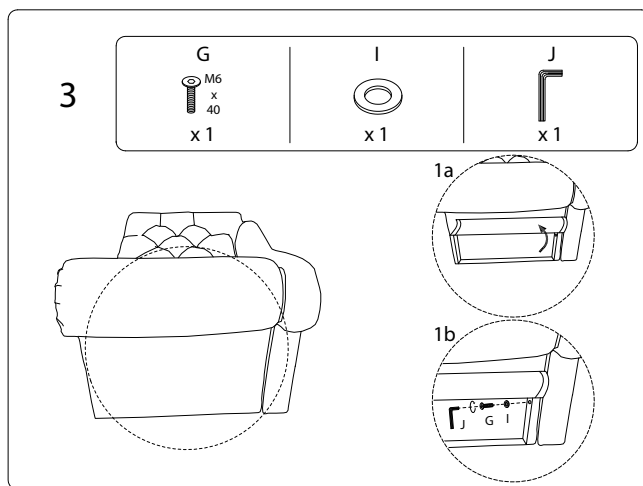
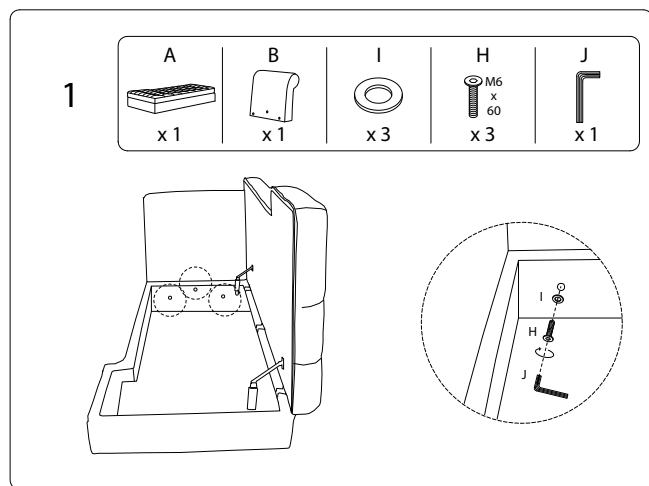
1/5

1083/PESAC/291119/

F x 8	G x 1	H x 5	I x 6	J x 1
---------------------	---------------------	---------------------	---------------------	---------------------

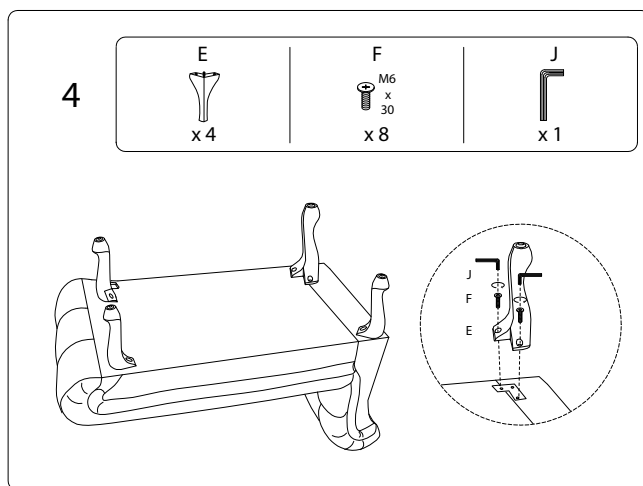
2/5

1083/PESAC/291119/



3/5

1083/PESAC/291119/



4/5

1083/PESAC/291119/

5

