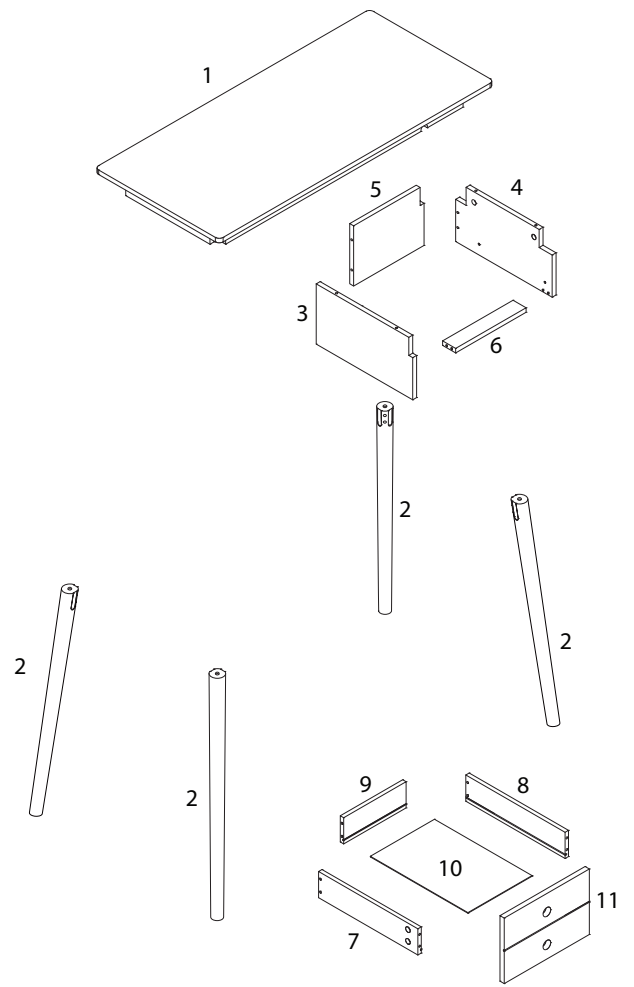


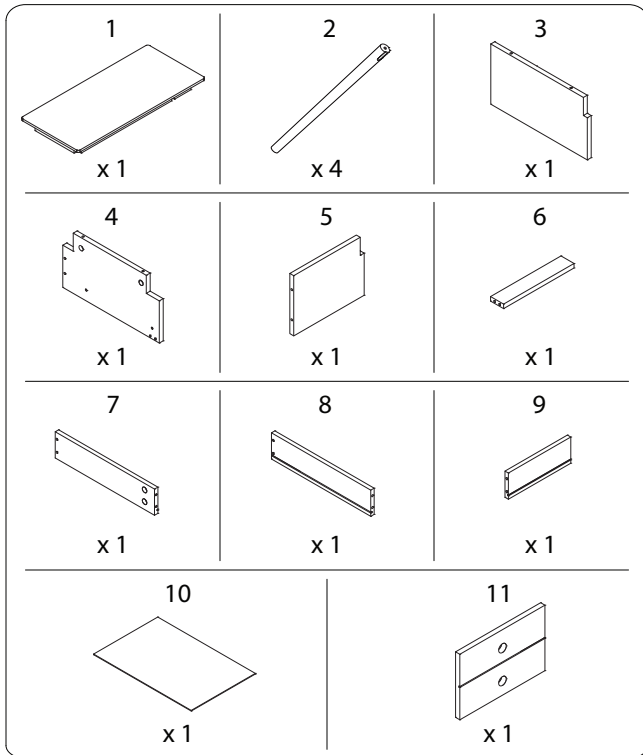
1/16

1454/EBEME/251120V



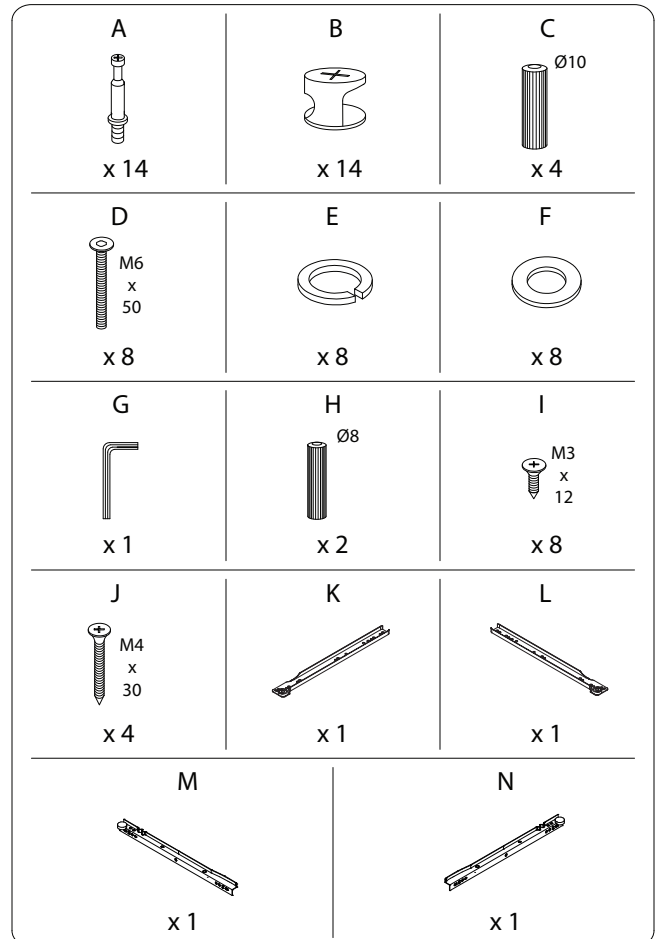
2/16

1454/EBEME/251120V



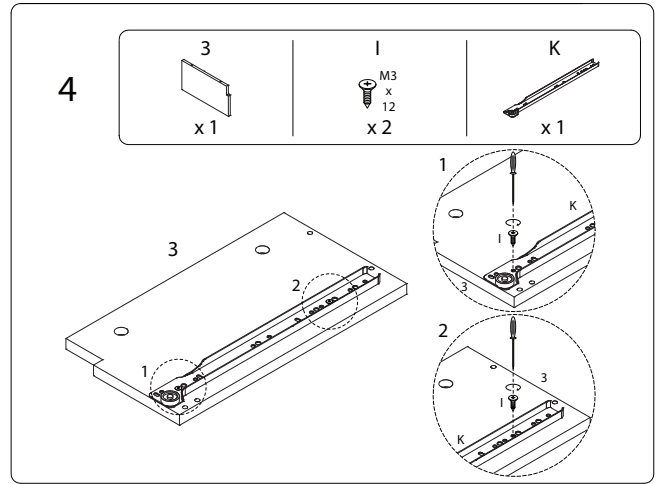
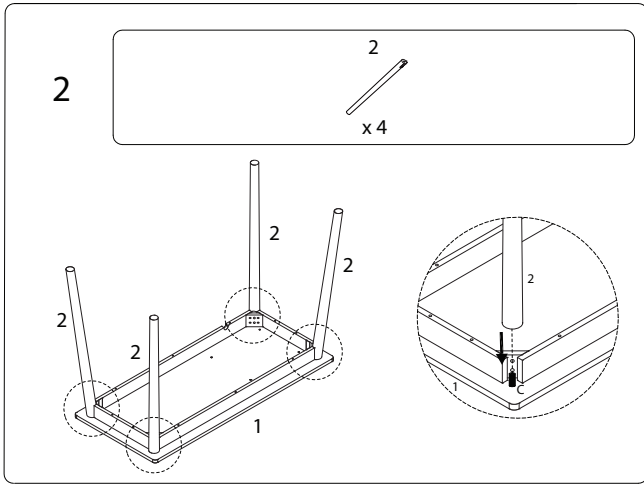
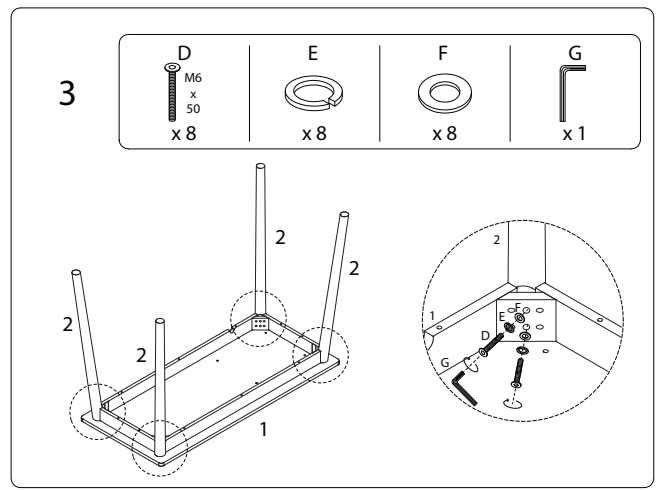
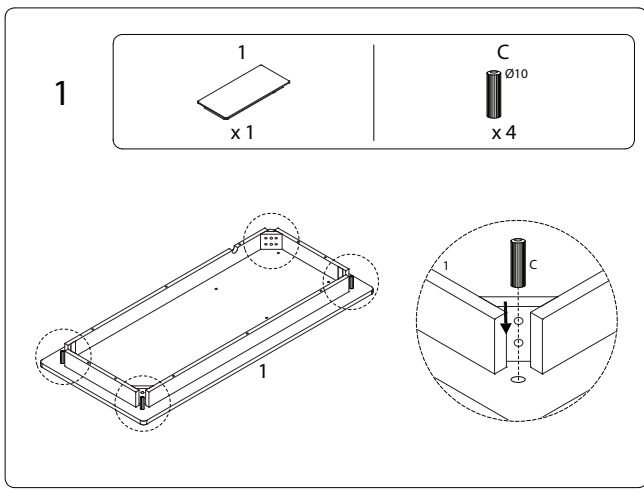
3/16

1454/EBEME/251120V



4/16

1454/EBEME/251120V

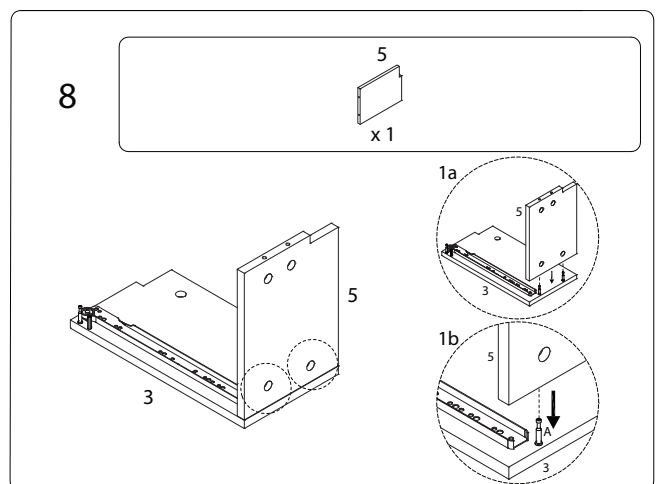
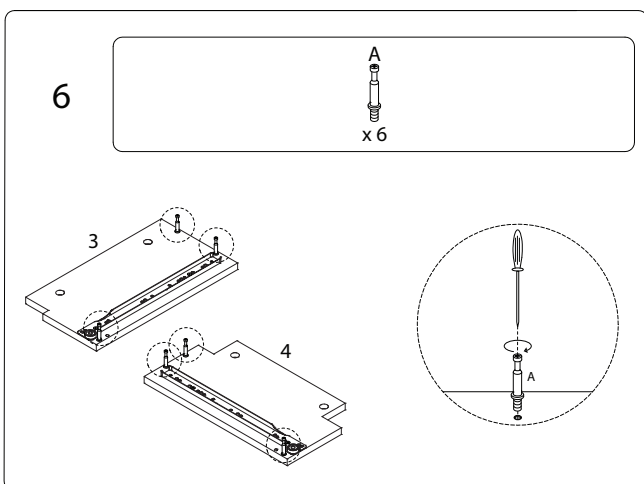
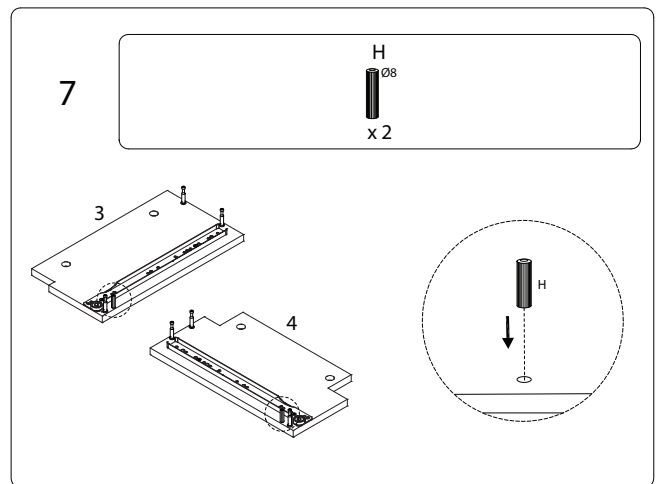
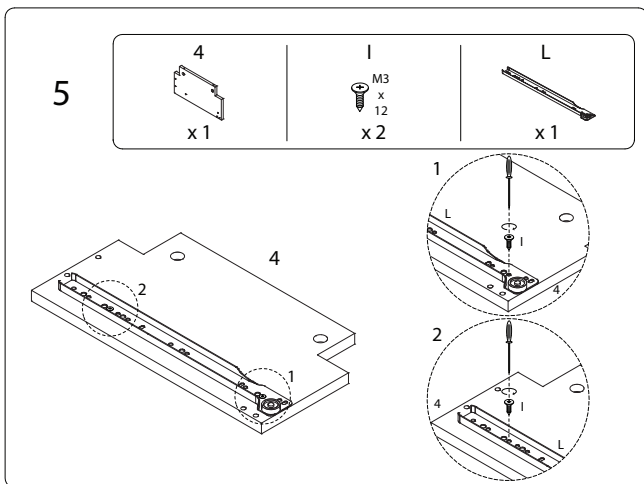


5/16

1454/EBEME/251120V

6/16

1454/EBEME/251120V

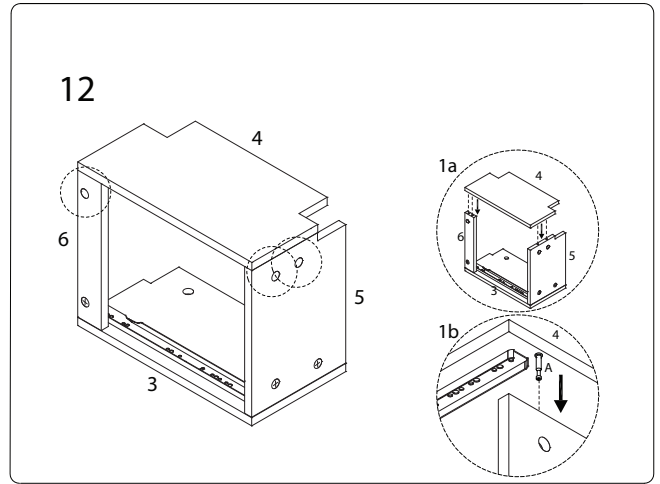
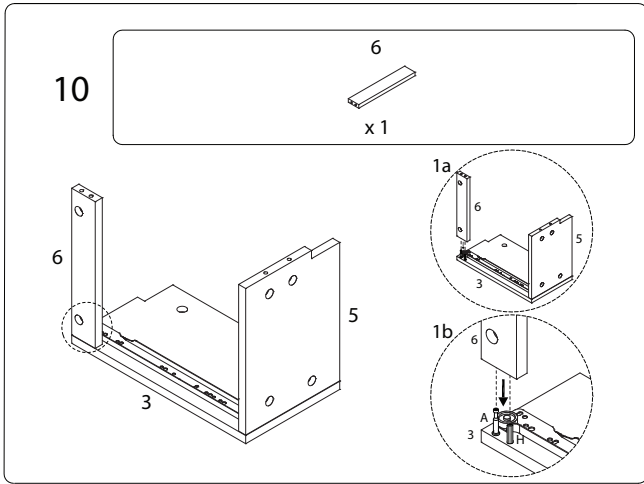
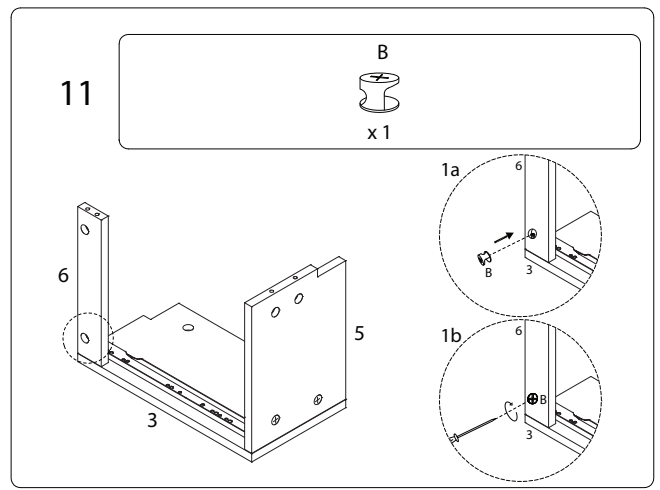
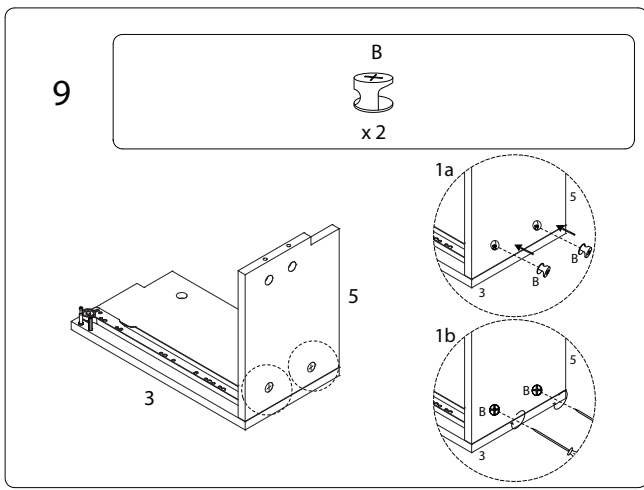


7/16

1454/EBEME/251120V

8/16

1454/EBEME/251120V

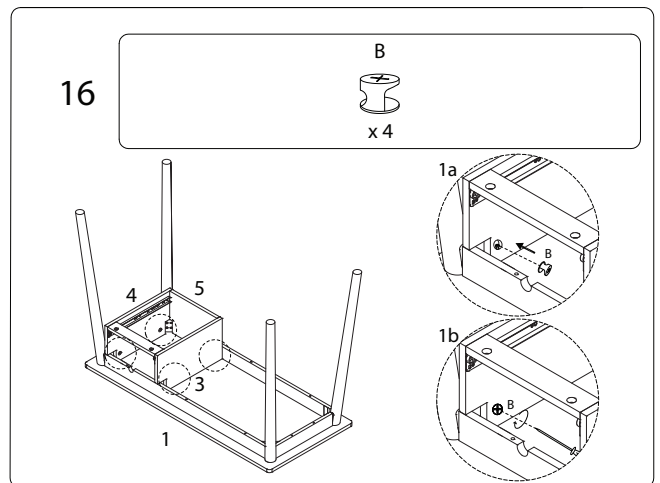
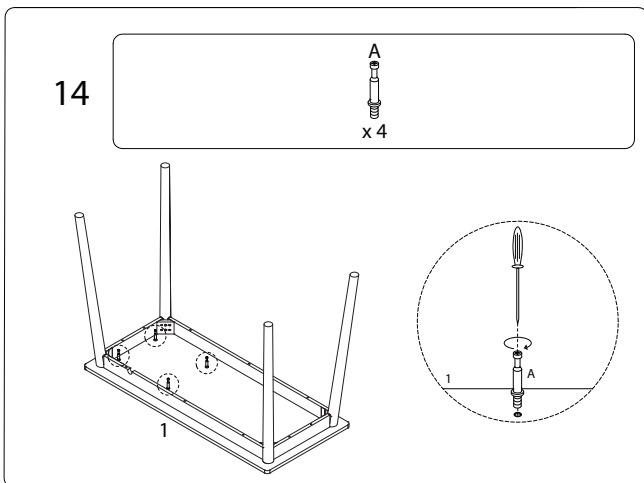
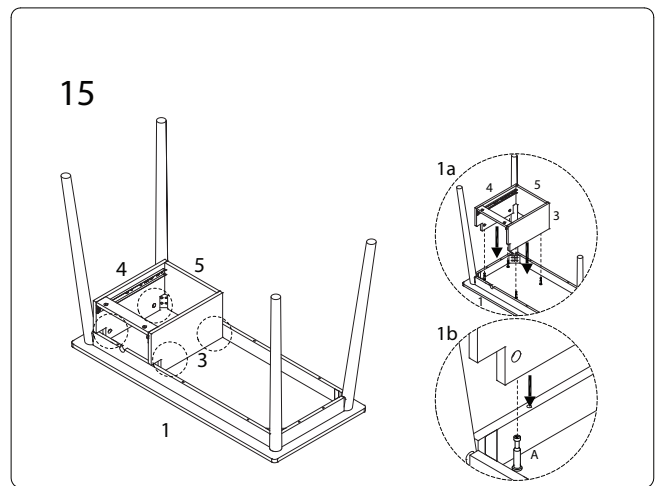
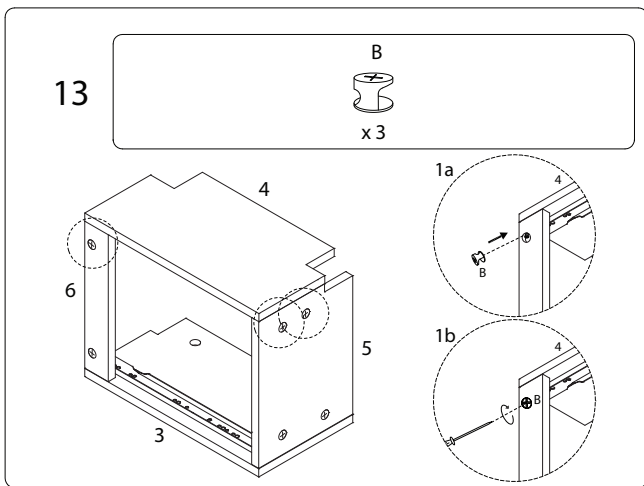


9/16

1454/EBEME/251120V

10/16

1454/EBEME/251120V

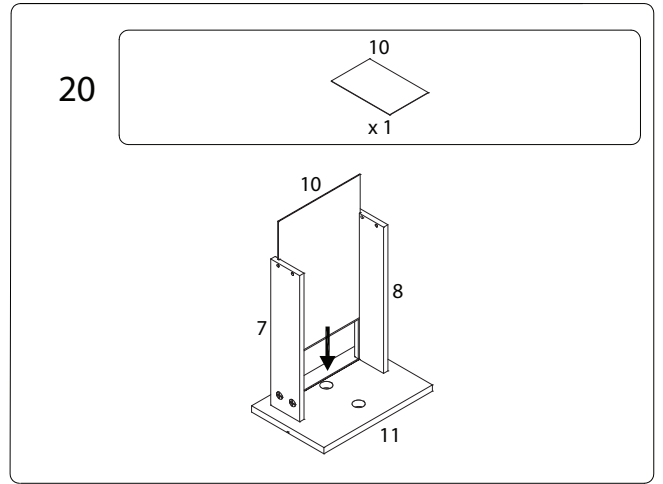
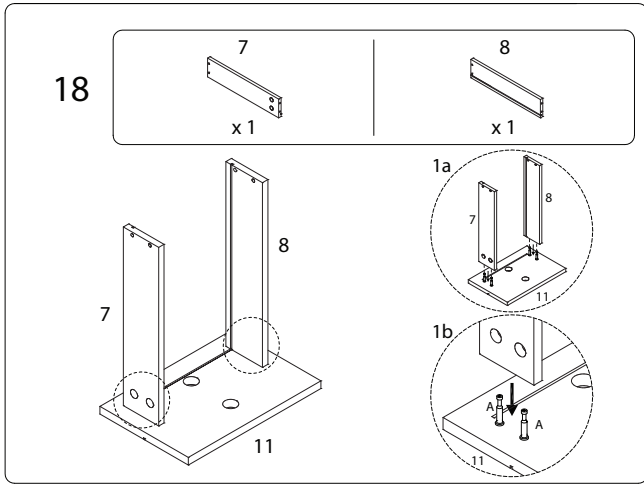
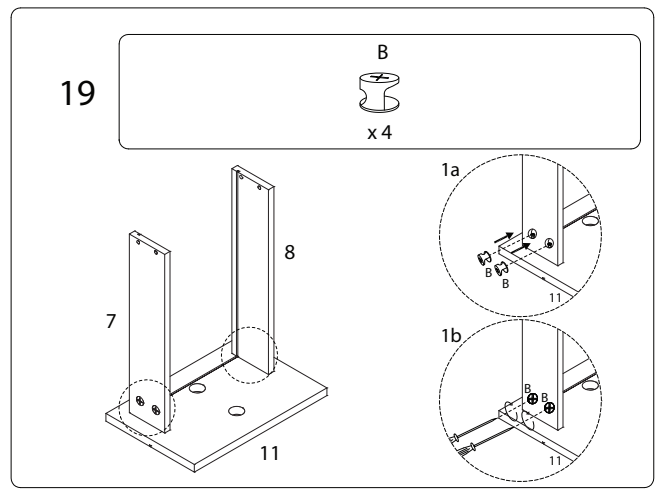
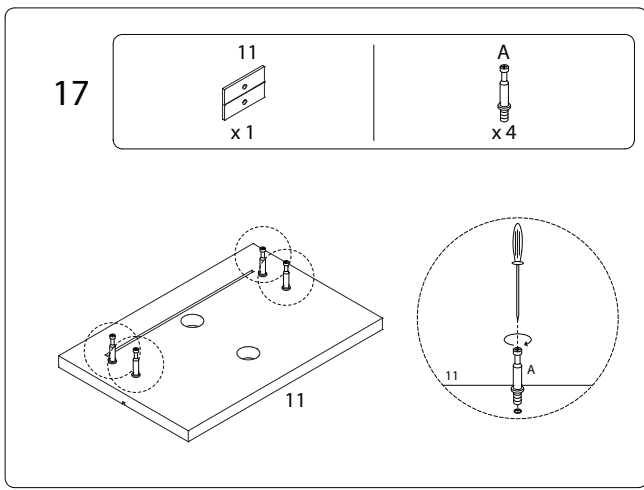


11/16

1454/EBEME/251120V

12/16

1454/EBEME/251120V

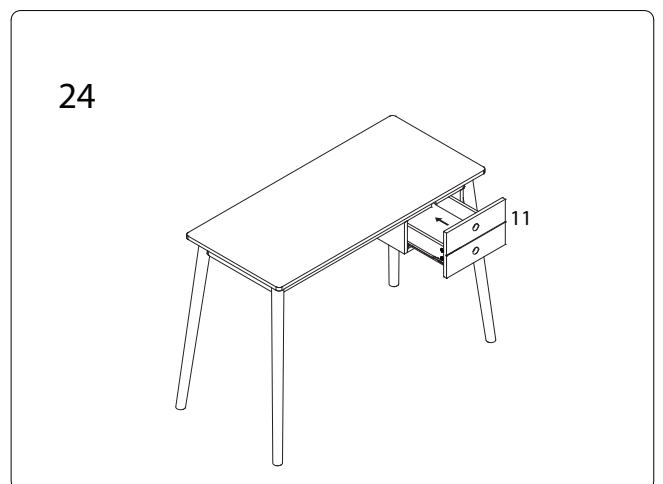
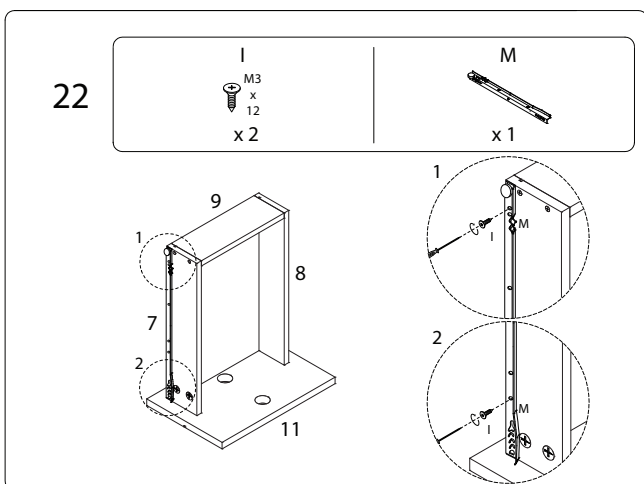
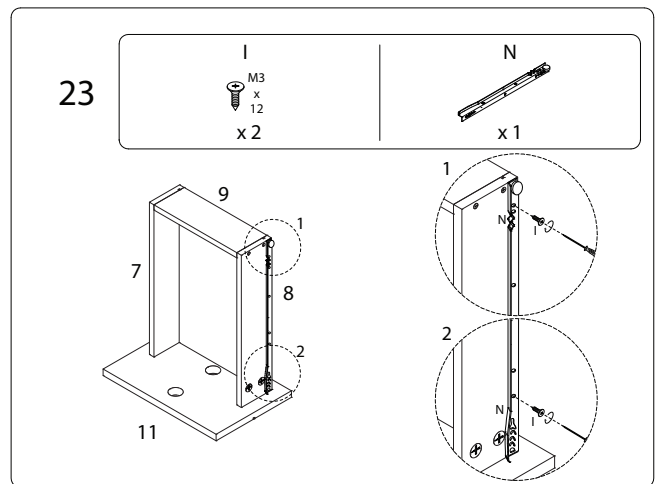
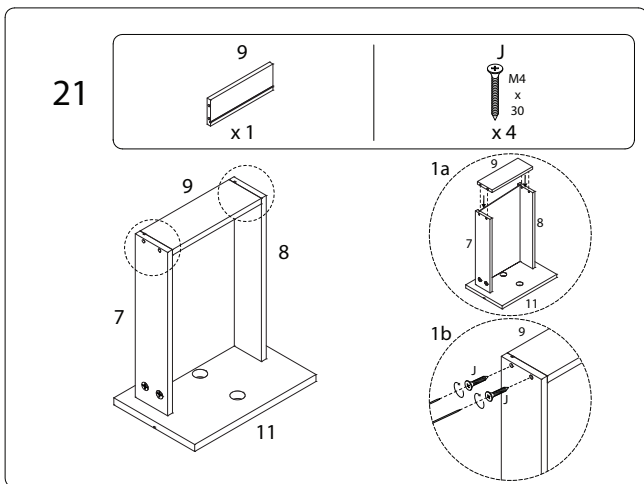


13/16

1454/EBEME/251120V

14/16

1454/EBEME/251120V



15/16

1454/EBEME/251120V

16/16

1454/EBEME/251120V