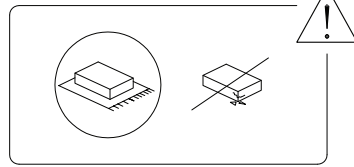
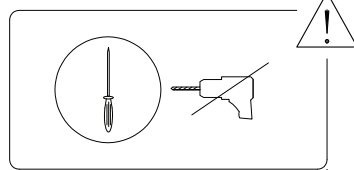
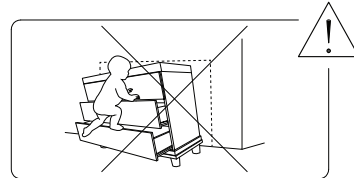
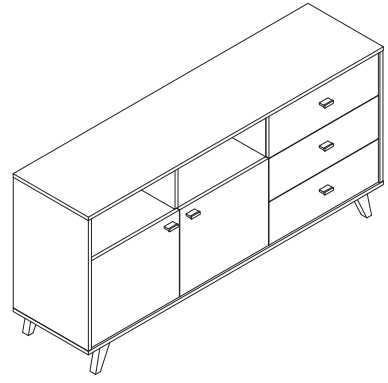
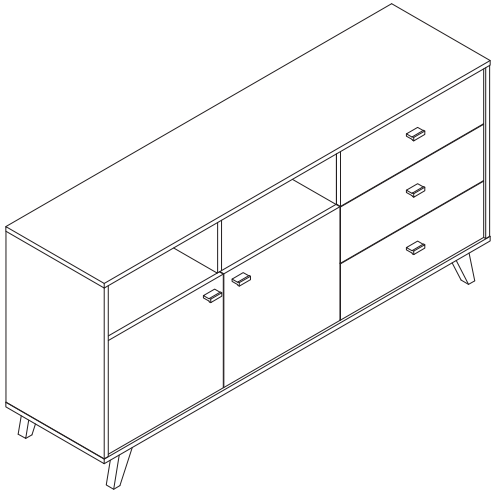
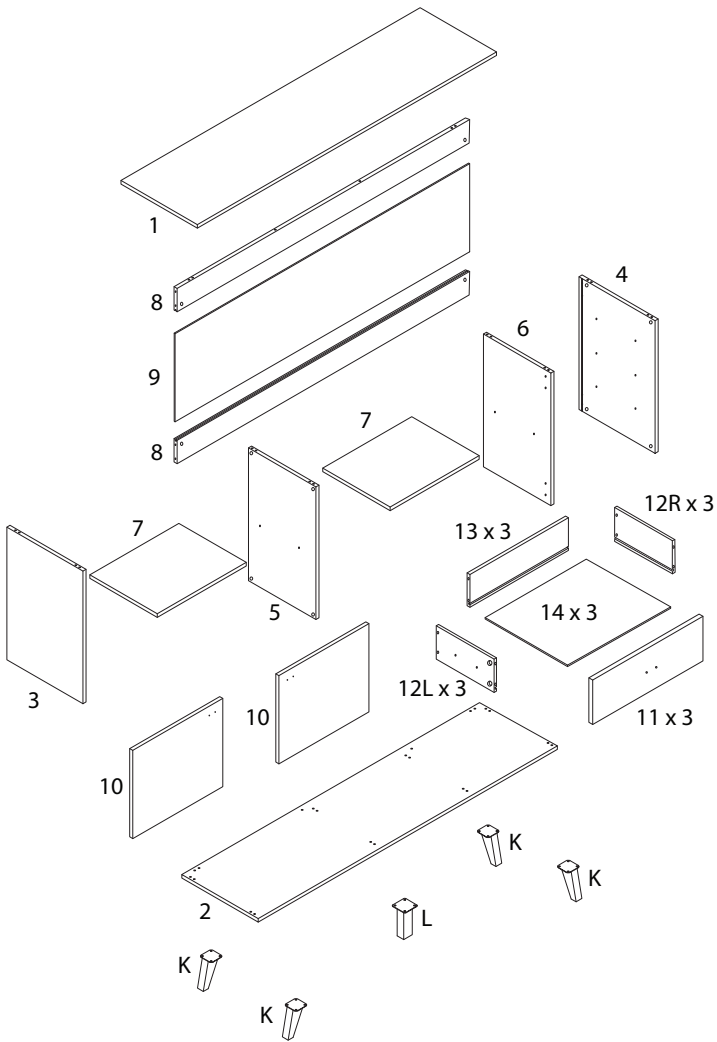


ILION



1/24

1321/ILION/240225/








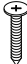
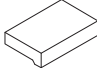








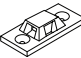





2/24

1 x 1	2 x 1	3 x 1
4 x 1	5 x 1	6 x 1
7 x 2	8 x 2	9 x 1
10 x 2	11 x 3	12L x 3
12R x 3	13 x 3	14 x 3

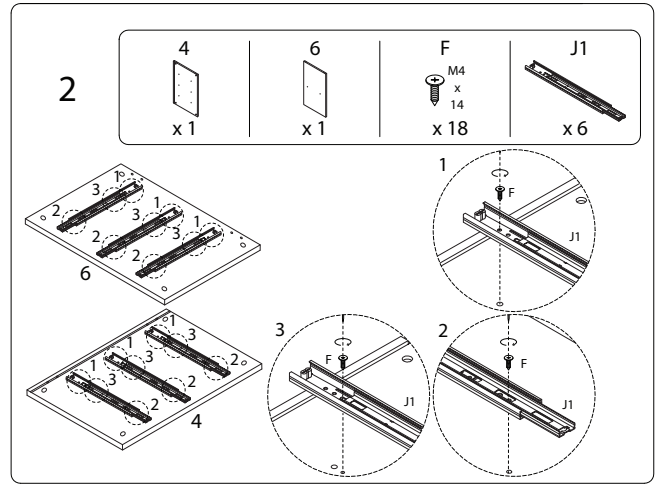
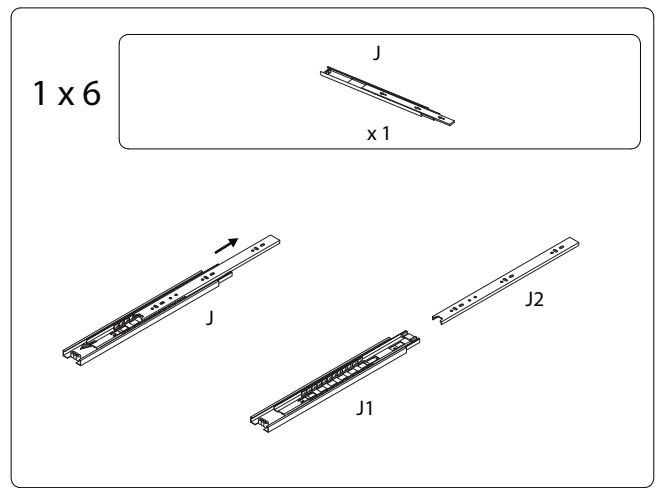
3/24

1321/ILION/240225/

A  x 28	B  Ø15 x 28	C  x 24	D  x 8	
E1  x 12	E2  Ø12 x 12	F  M4 x 14 x 36	G  M4 x 30 x 12	
H  x 5	I  M4 x 20 x 10	J  x 6	K  x 4	
L  x 1	M1  x 4	M2  M4 x 16 x 16	N  M6 x 12 x 20	
P1  x 4	P2  x 4	P3  M4 x 45 x 4	P4  M4 x 16 x 4	P5  x 2

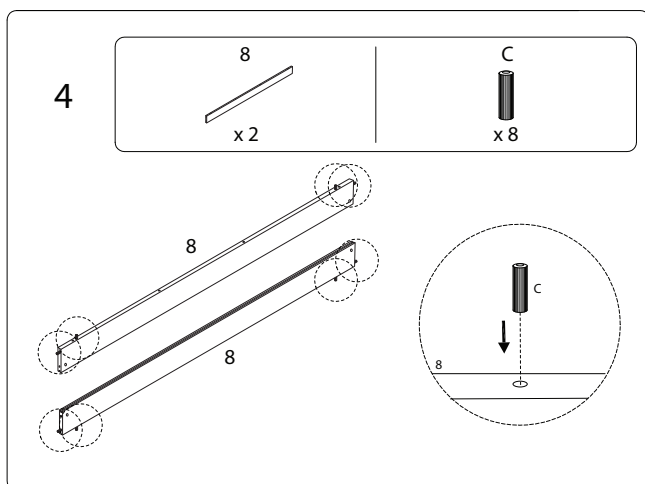
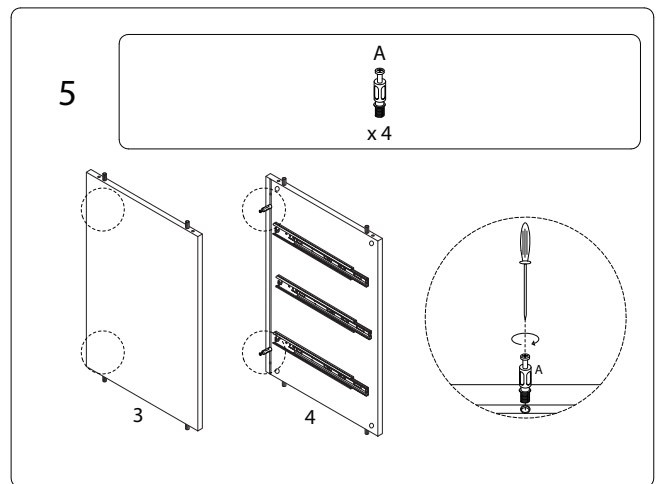
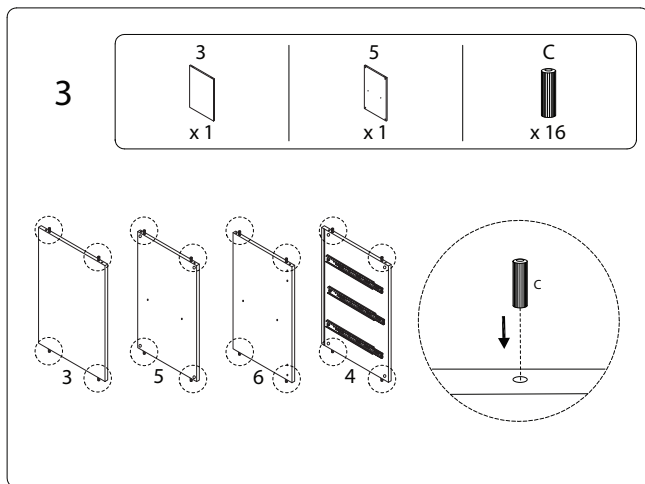
4/24

1321/RLION/240225/



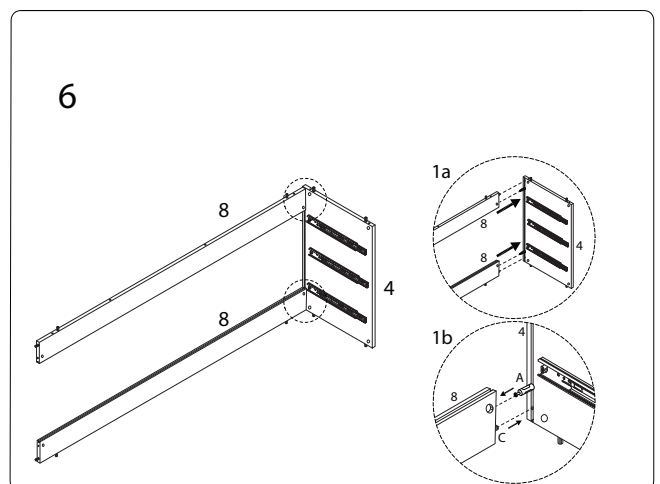
5/24

1321/RLION/240225/



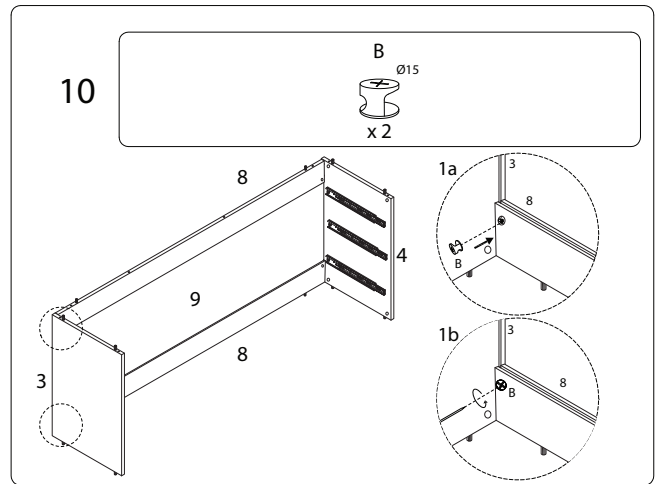
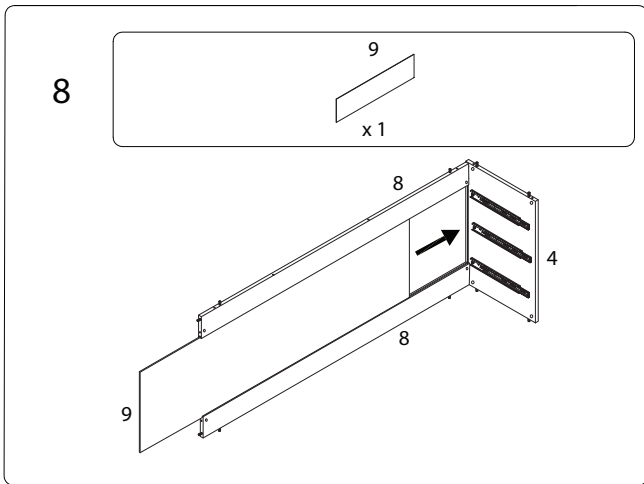
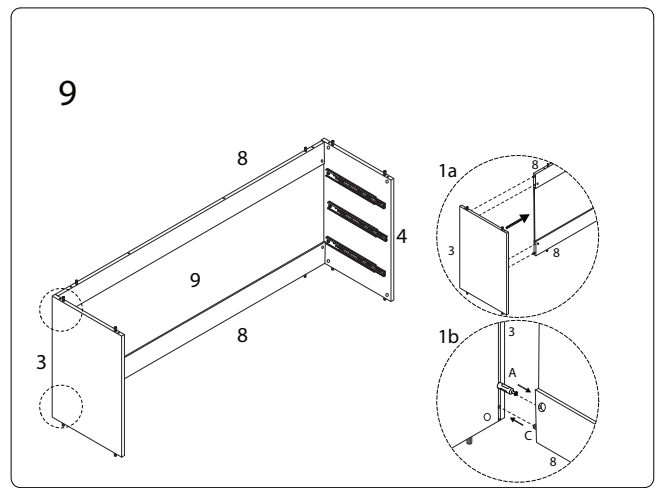
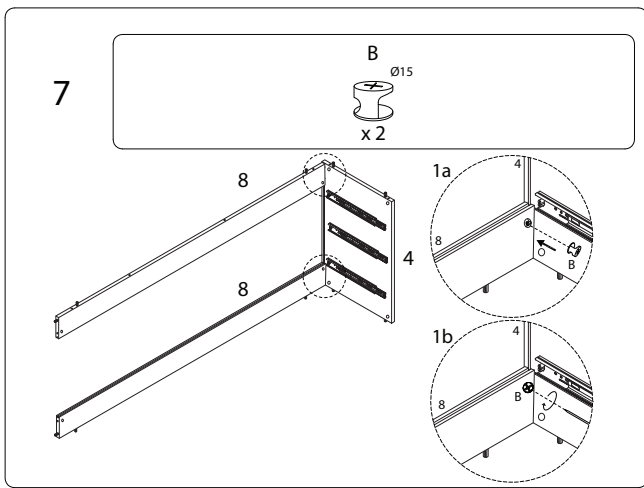
6/24

1321/RLION/240225/



7/24

1321/RLION/240225/

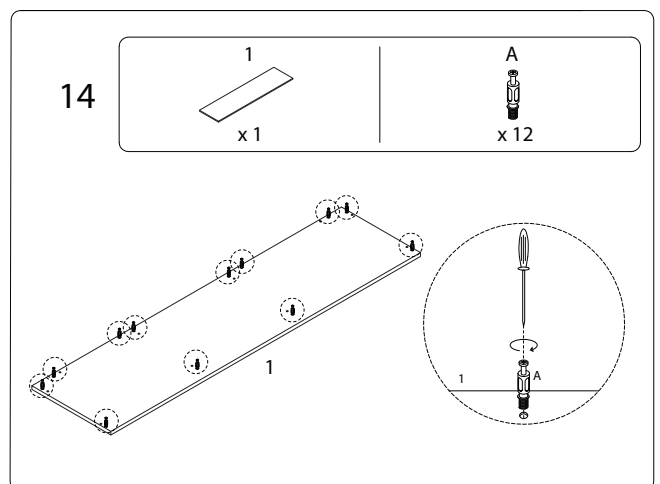
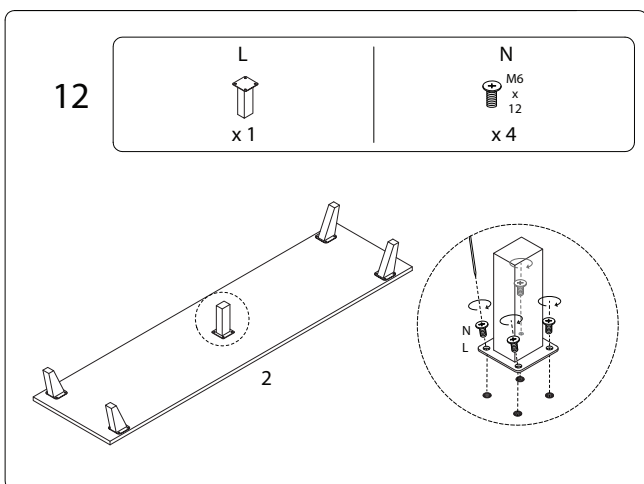
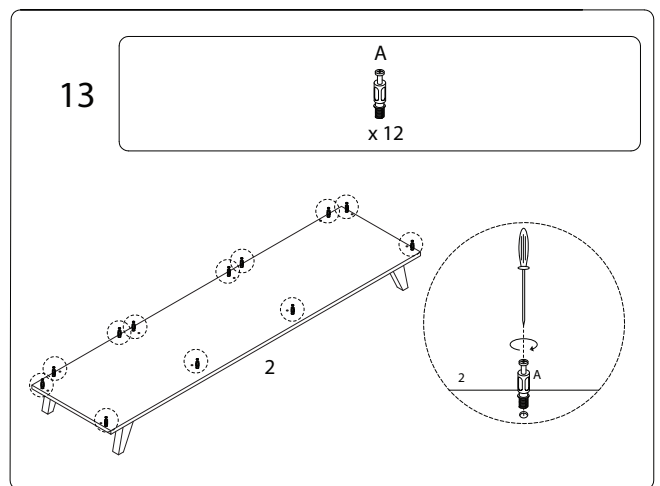
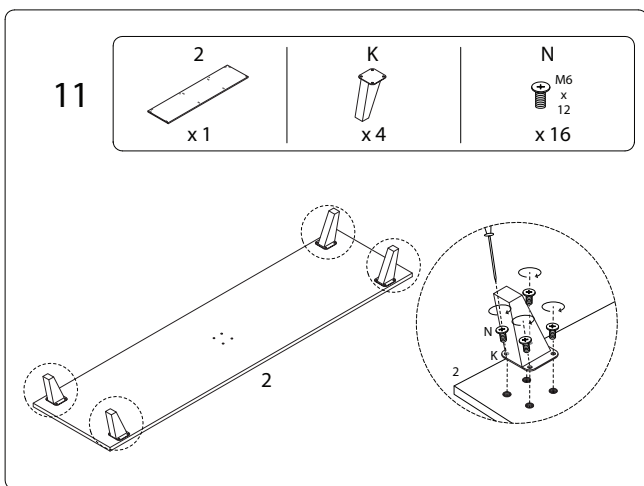


8/24

9/24

1321/RLION/240225/

1321/RLION/240225/



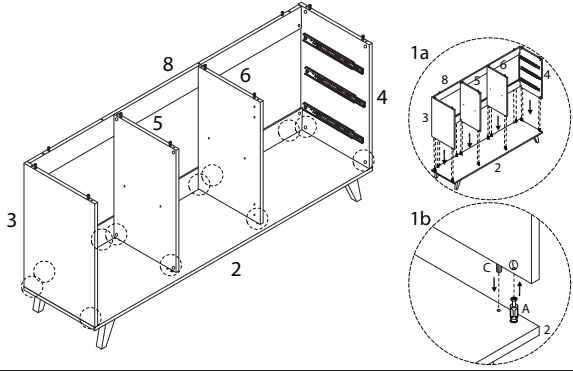
10/24

11/24

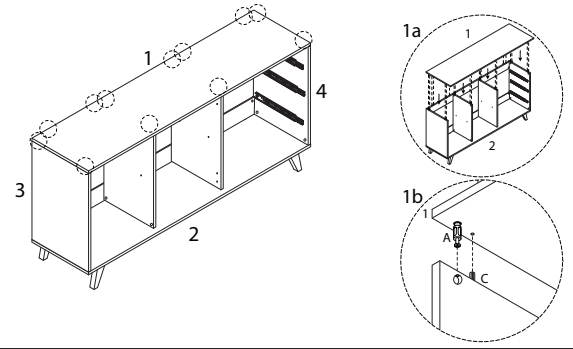
1321/RLION/240225/

1321/RLION/240225/

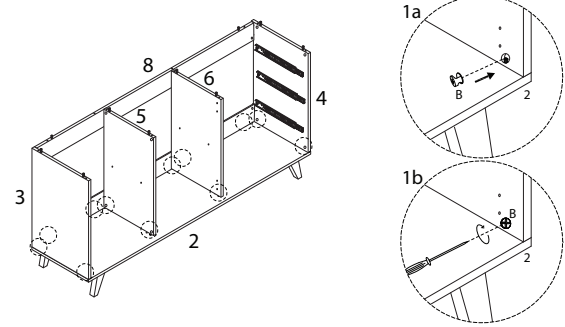
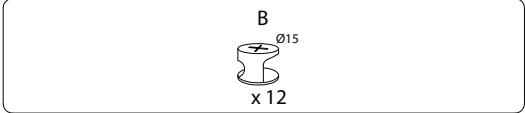
15



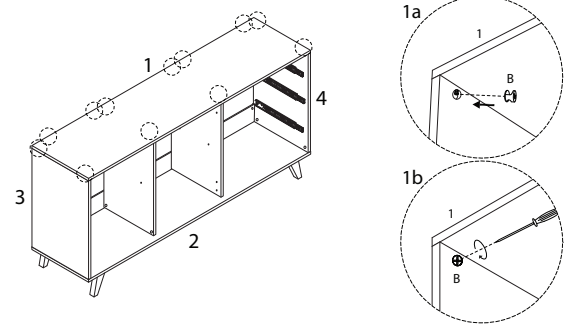
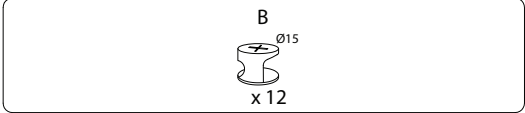
17



16



18



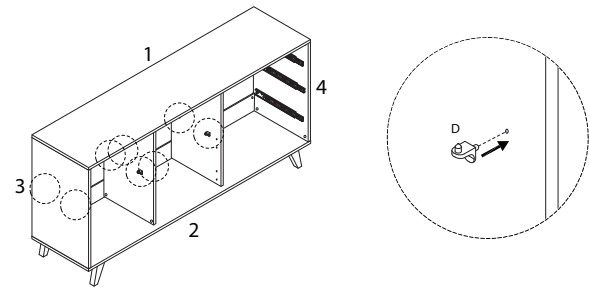
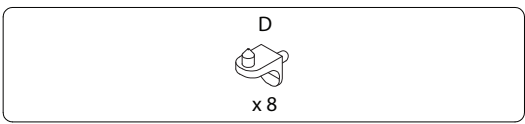
12/24

1321/RLION/240225/

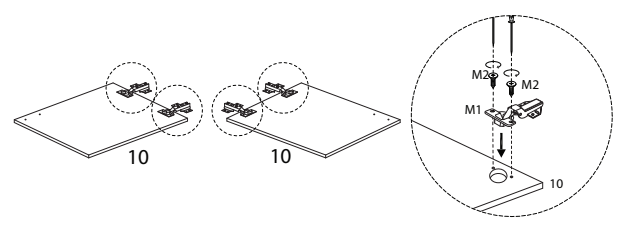
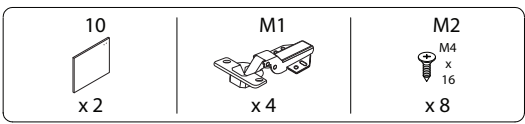
13/24

1321/RLION/240225/

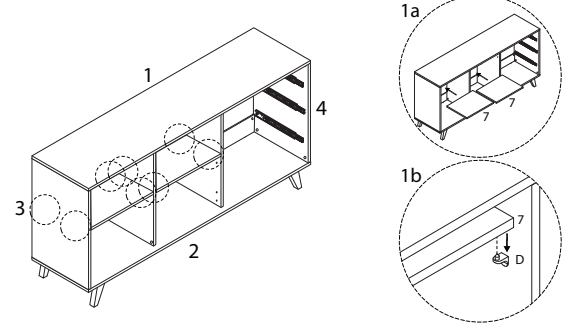
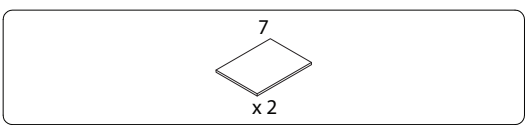
19



21



20



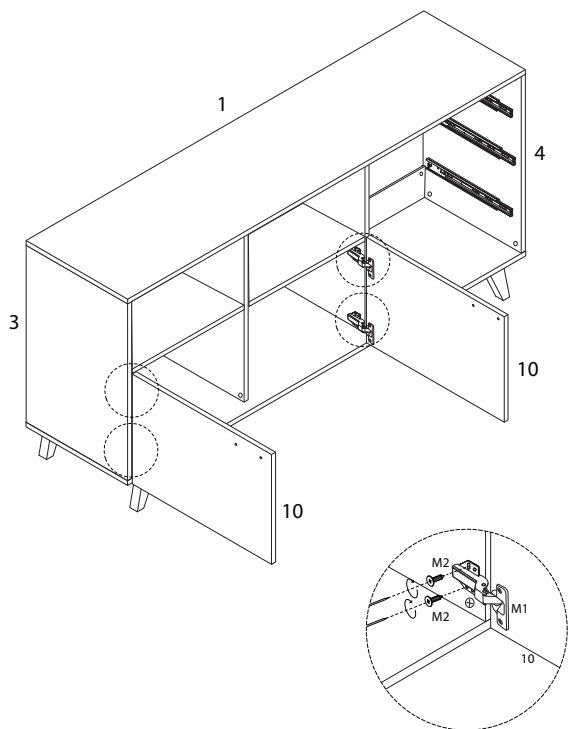
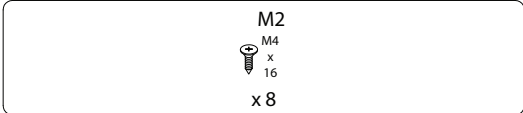
14/24

1321/RLION/240225/

15/24

1321/RLION/240225/

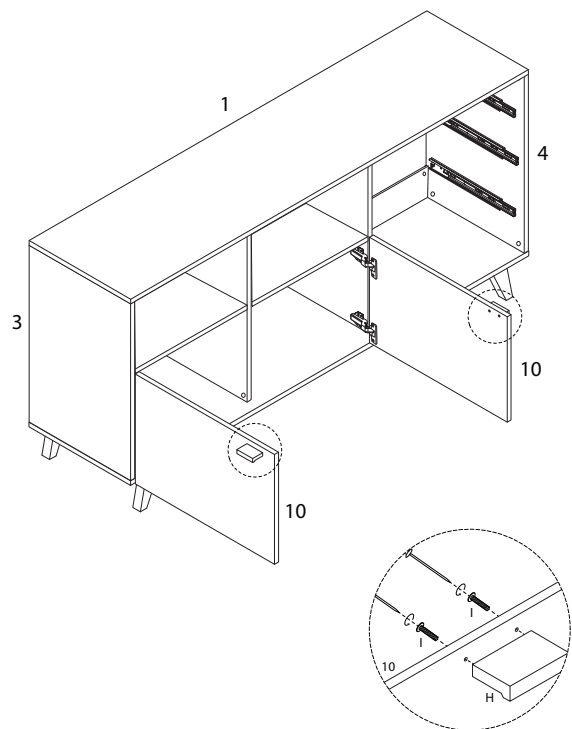
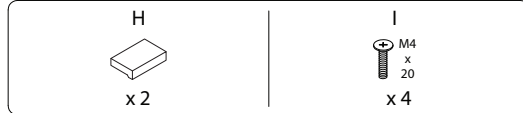
22



16/24

1321/RLION/240225/

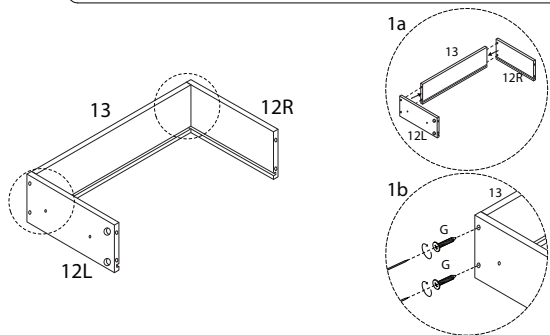
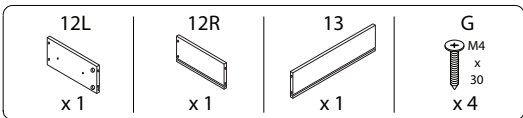
23



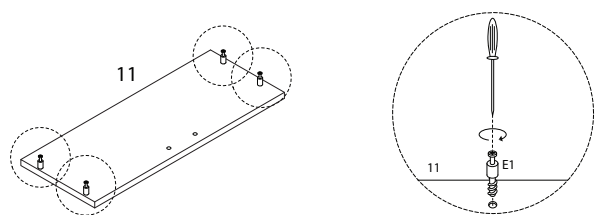
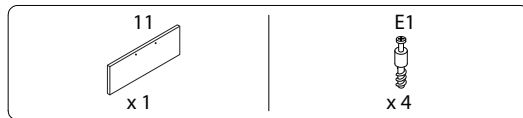
17/24

1321/RLION/240225/

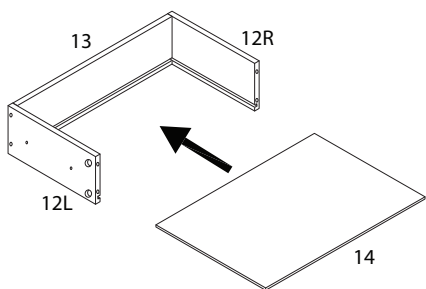
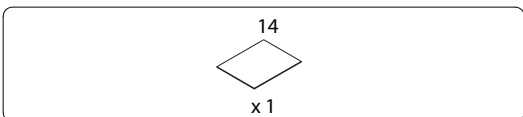
24 x 3



26 x 3



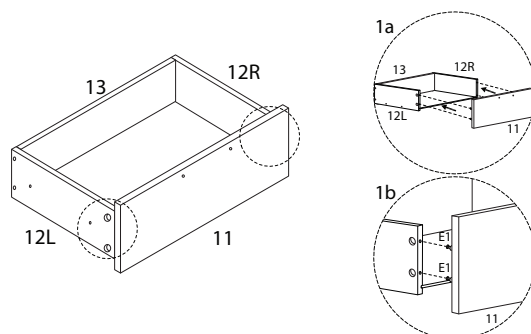
25 x 3



18/24

1321/RLION/240225/

27 x 3



19/24

1321/RLION/240225/

