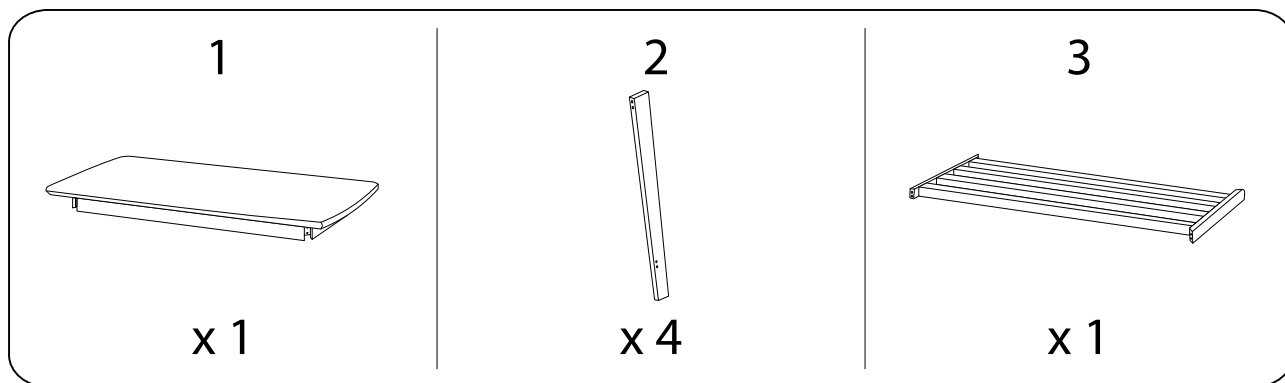
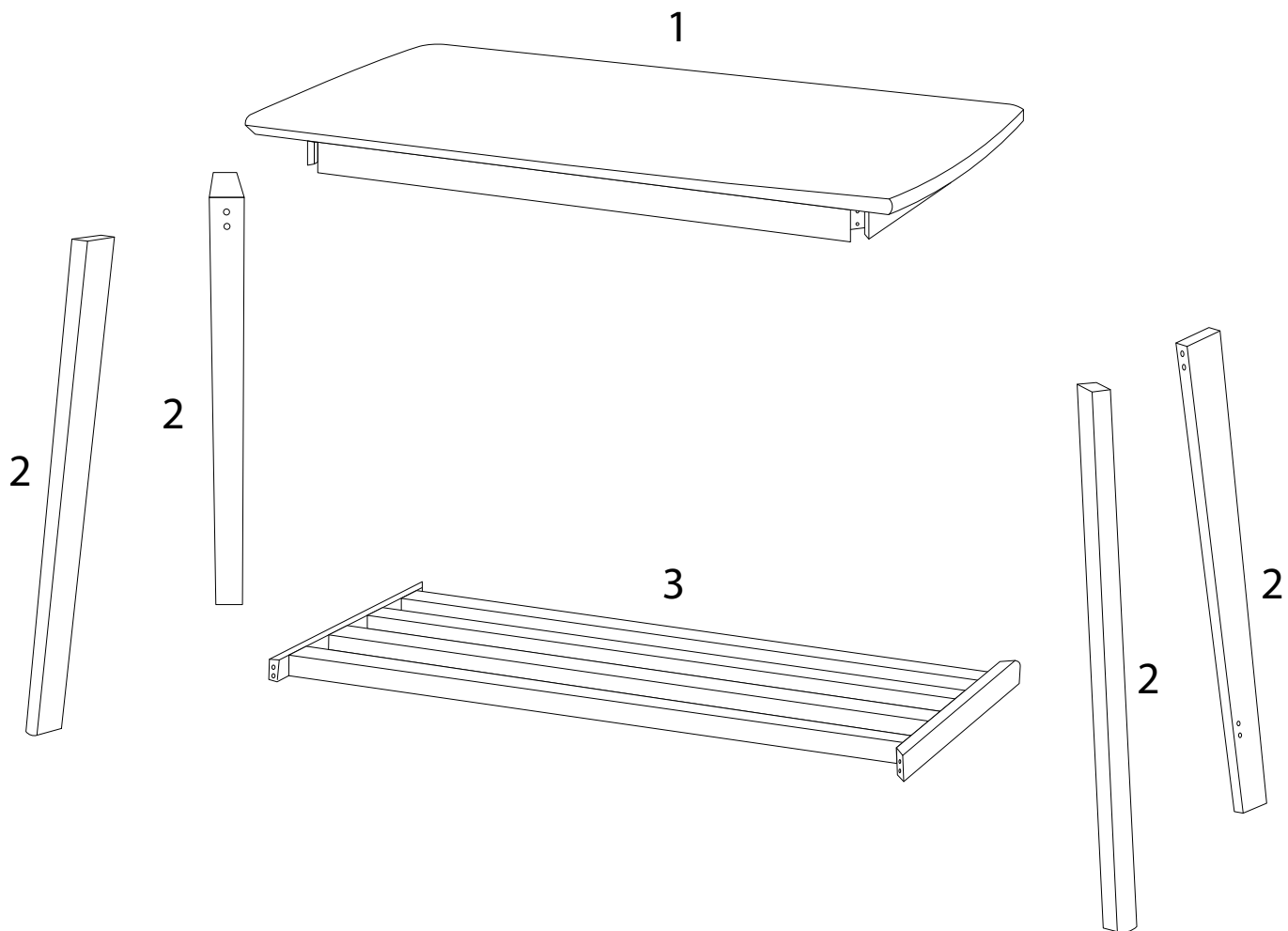
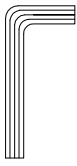


Assembly instructions for step 1/5:

- Tools:** A circle containing a screwdriver and an L-shaped Allen key. A power drill is shown with a diagonal line through it, indicating it is not to be used.
- Warning:** A triangle with an exclamation mark.
- Time:** A clock icon with the text "30'" below it, indicating a 30-minute assembly time.
- Personnel:** A stick figure icon with the number "2" below it, indicating that two people are required for assembly.

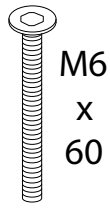


A



x 1

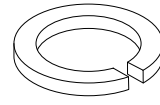
B



M6
x
60

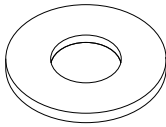
x 8

C



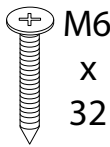
x 8

D



x 8

E



M6
x
32

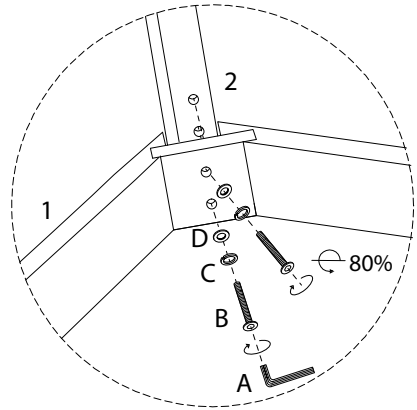
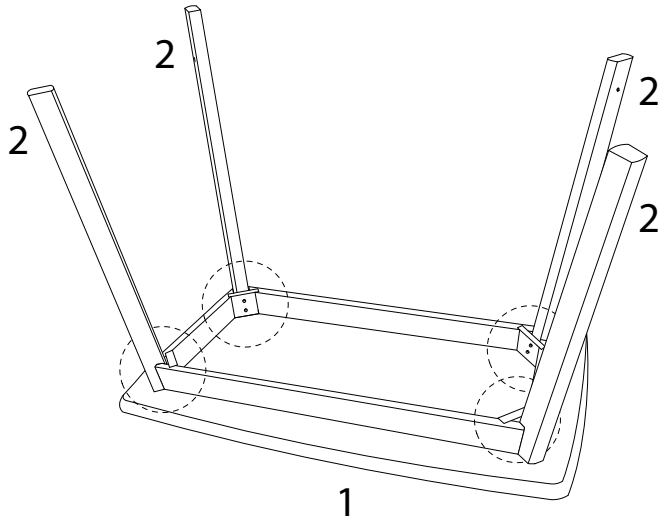
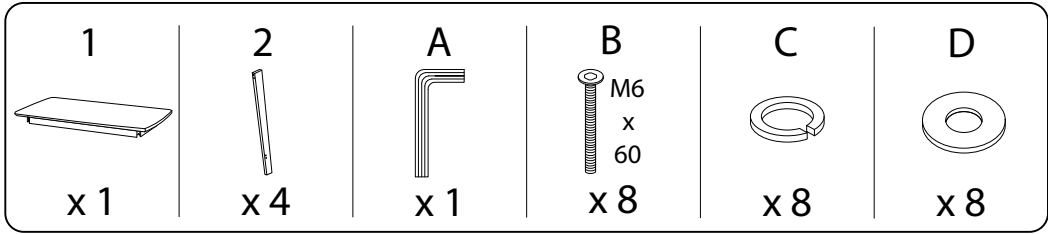
x 4

F

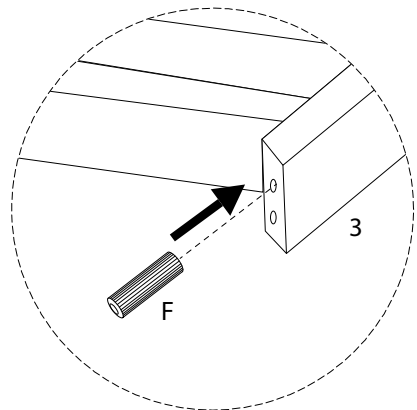
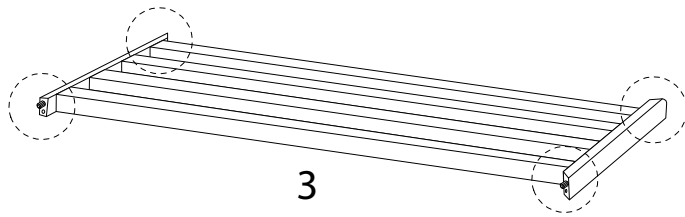
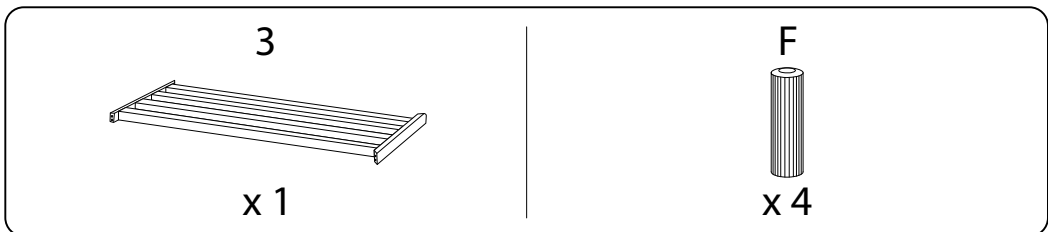


x 4

1



2

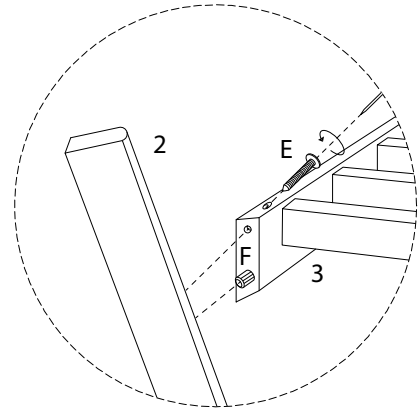
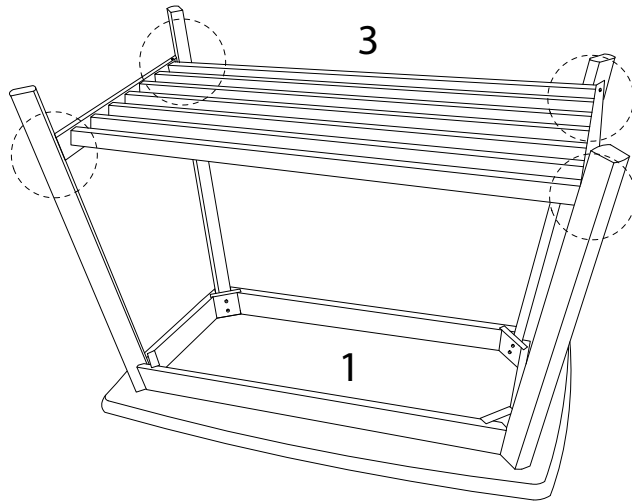


3

E

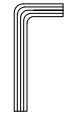


x 4



4

A



x 1

