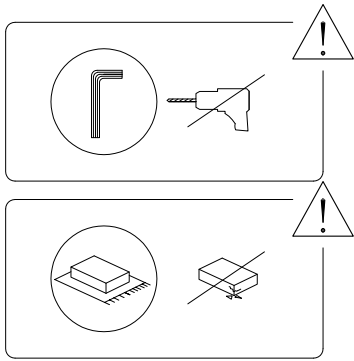


A x 1	B x 3	C M6 x 30 x 6	D M6 x 20 x 3	E x 1
---------------------	---------------------	-----------------------------------	-----------------------------------	---------------------



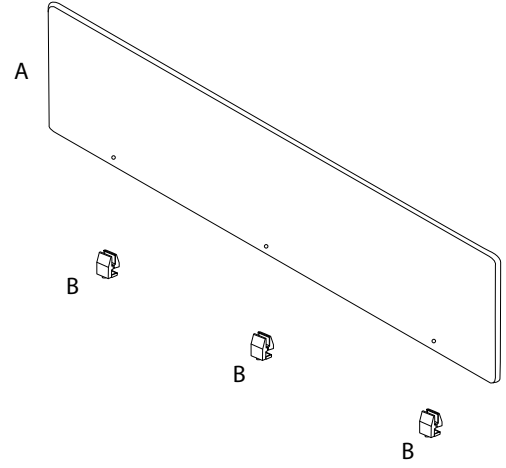
10'



1

1/4

1620/WALLY.3/Z30321/

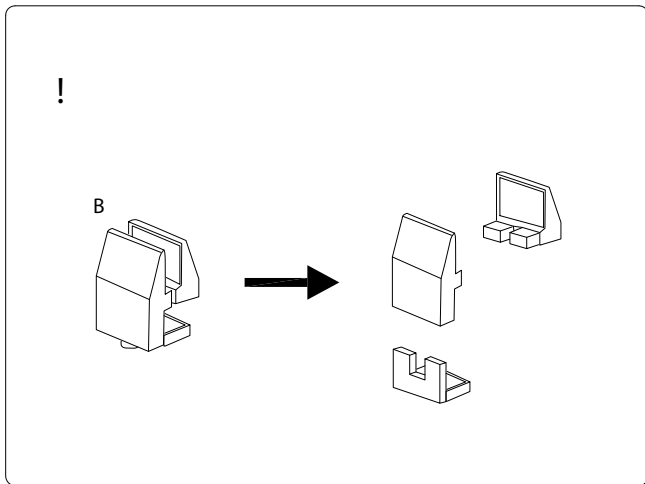


B

B

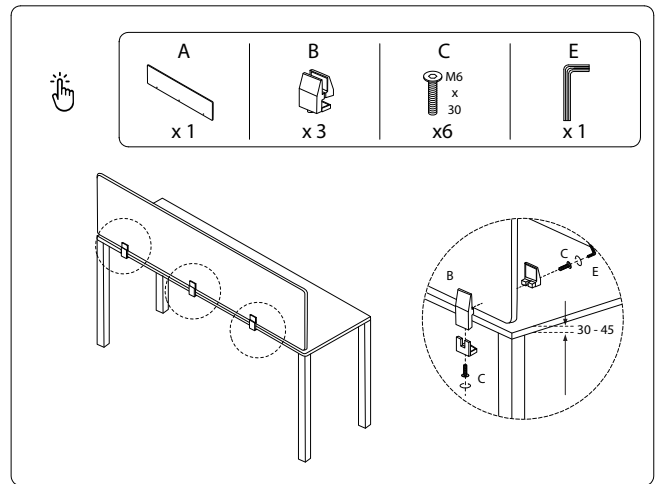
2/4

1620/WALLY.3/Z30321/



!

B



A

x 1

B

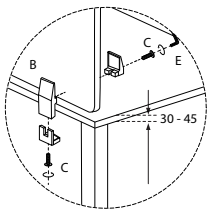
x 3

C

M6
x 30
x 6

E

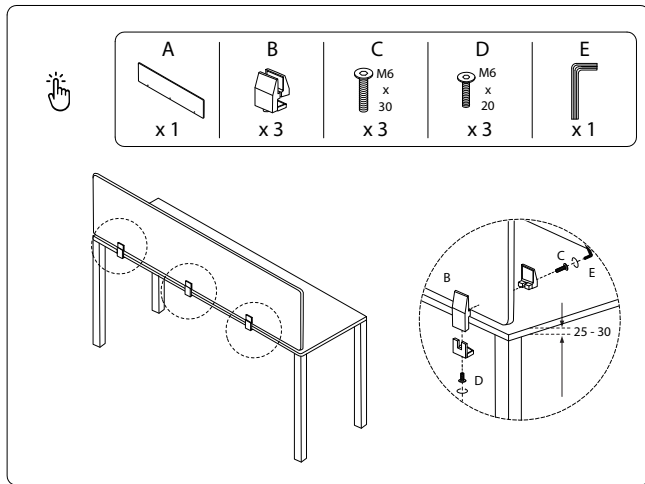
x 1



30 - 45

4/4

1620/WALLY.3/Z30321/



A

x 1

B

x 3

C

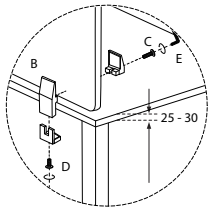
M6
x 30
x 3

D

M6
x 20
x 3

E

x 1



25 - 30

3/4

1620/WALLY.3/Z30321/