

PIONEER

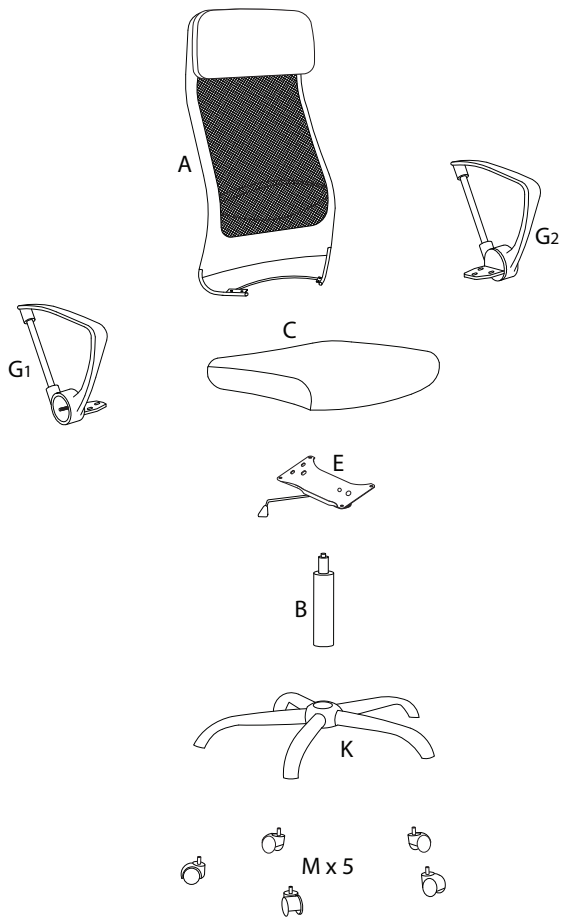


15'

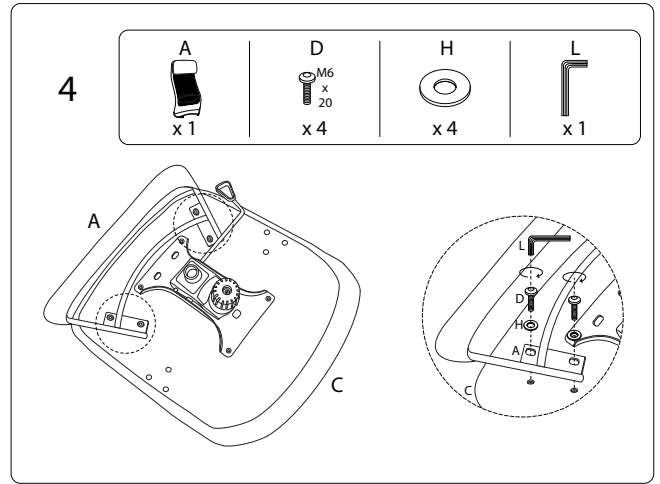
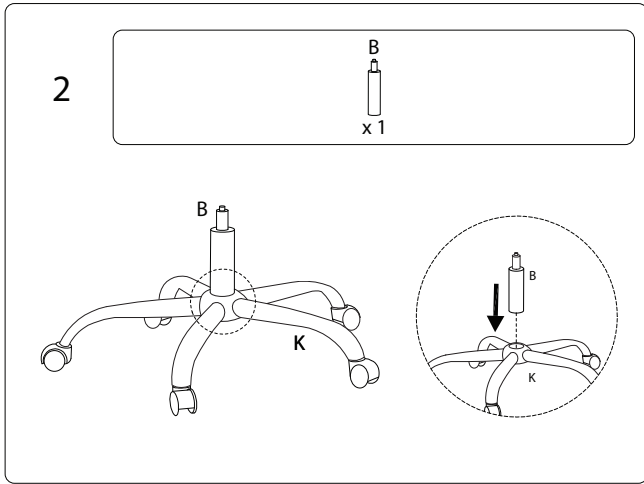
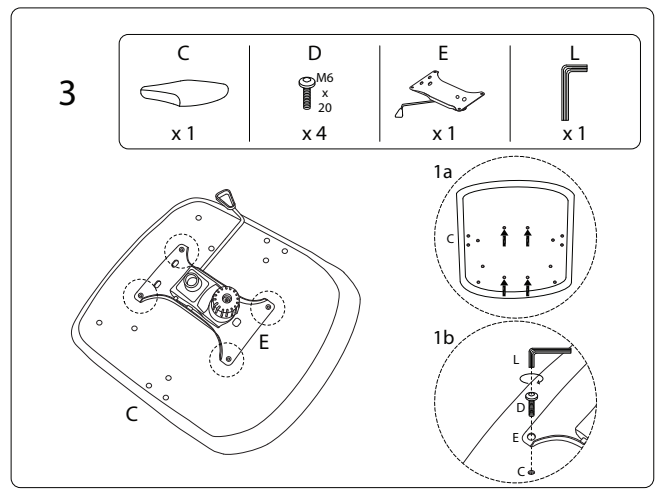
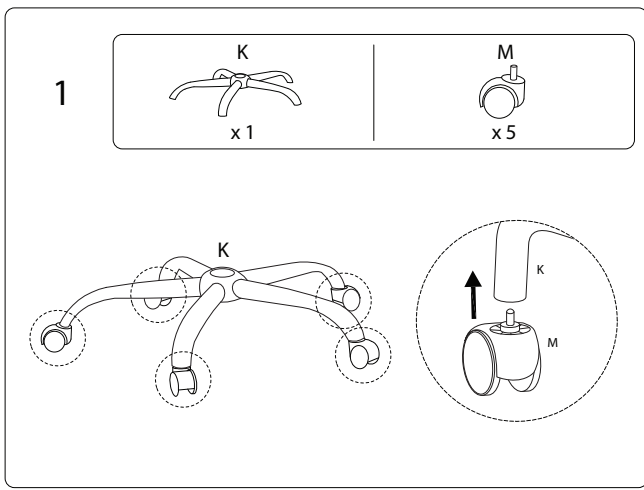
2

1/8

2192/PIONEER/190424/



A x 1	B x 1	C x 1
D x 8	E x 1	F x 6
G1 x 1	G2 x 1	H x 10
I x 2	K x 1	L x 1
M x 5		

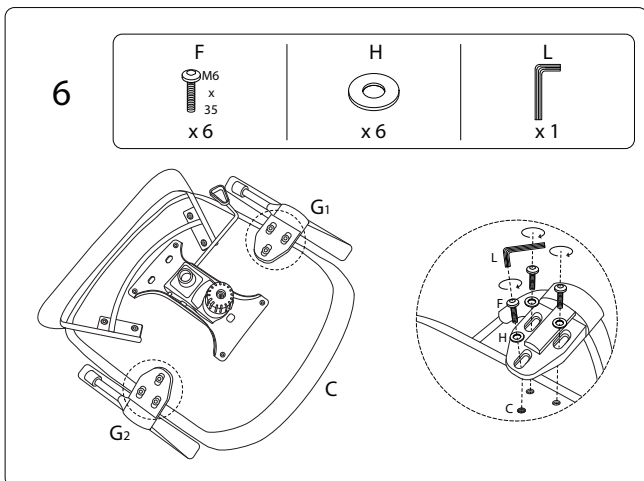
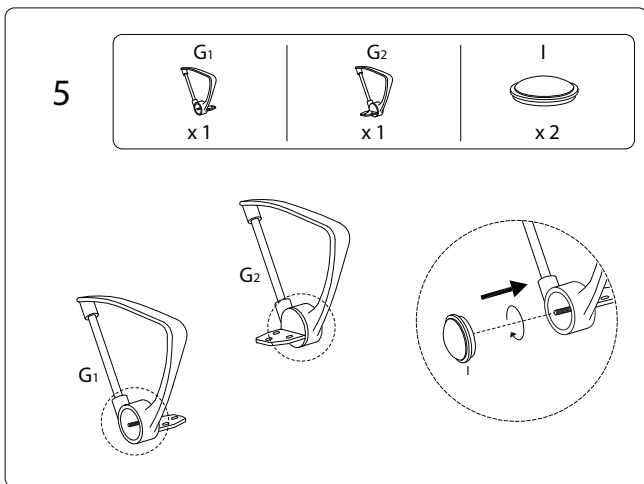


4/8

2192/PIONEER/190424/

5/8

2192/PIONEER/190424/



6/8

2192/PIONEER/190424/

7/8

2192/PIONEER/190424/

