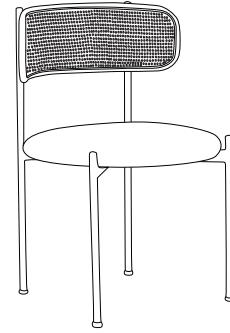
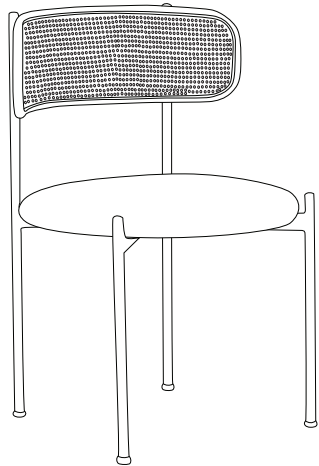


ANDOVER



1/6

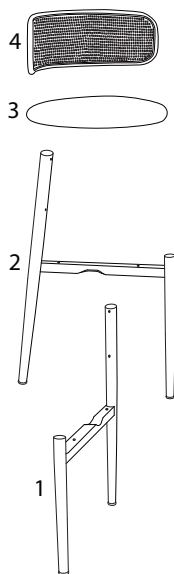
15'

1

2/6

2093/ANDOVER/280426/

1 x 1	2 x 1	3 x 1	4 x 1
---------------------	---------------------	---------------------	---------------------



A M6 x 50 x 4	B x 5	C M5 x 1	D M6 x 30 x 1	E M6 x 25 x 4	F M4 x 1
--------------------------------------	---------------------	---------------------------	--------------------------------------	--------------------------------------	---------------------------

3/6

1

x 1

2

x 1

B

x 1

C

x 1

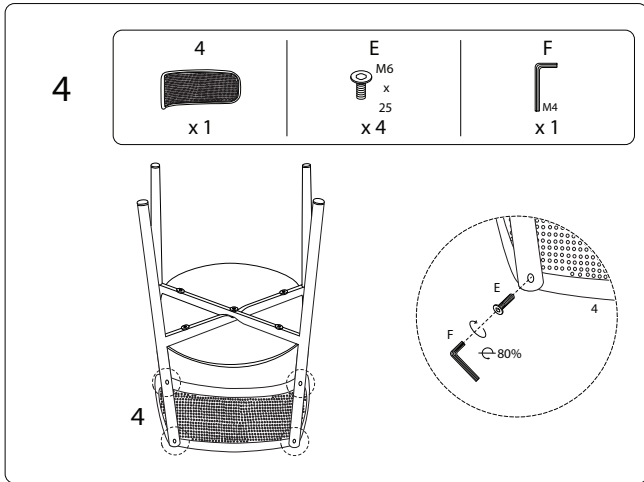
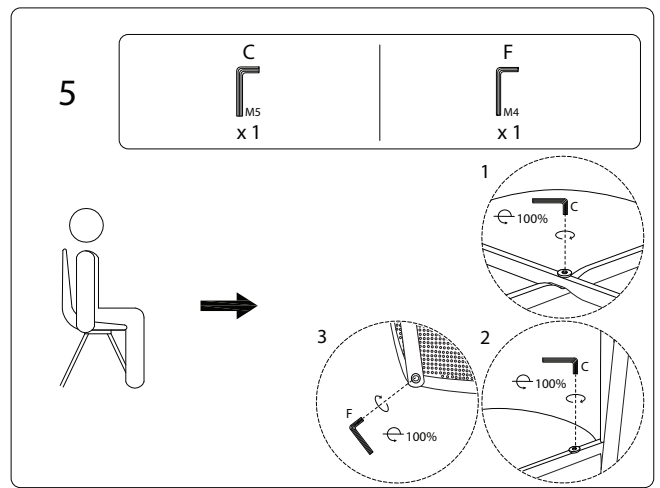
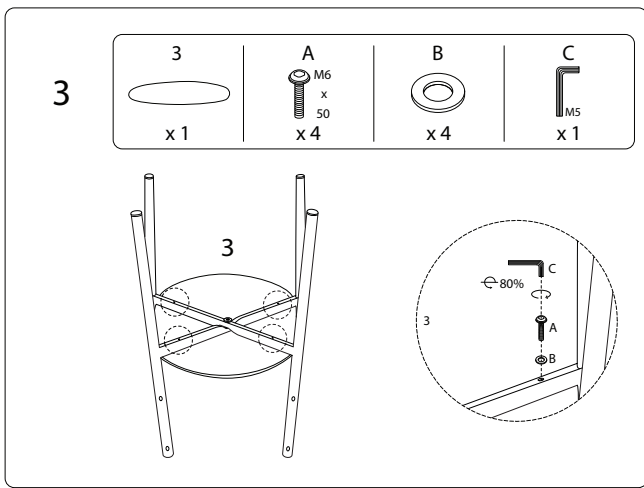
D

M6
x
30
x 1

4/6

2093/ANDOVER/280426/

2093/ANDOVER/280426/



5/6

2093/ANDOVER/280426/

6/6

2093/ANDOVER/280426/