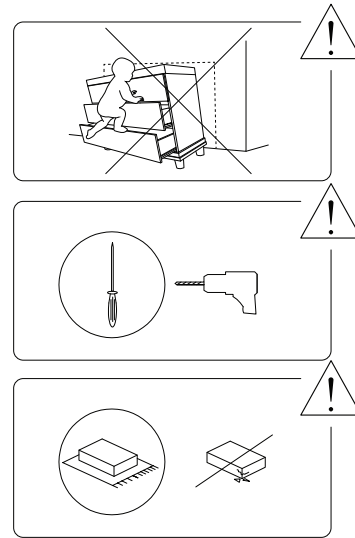


CHELAN



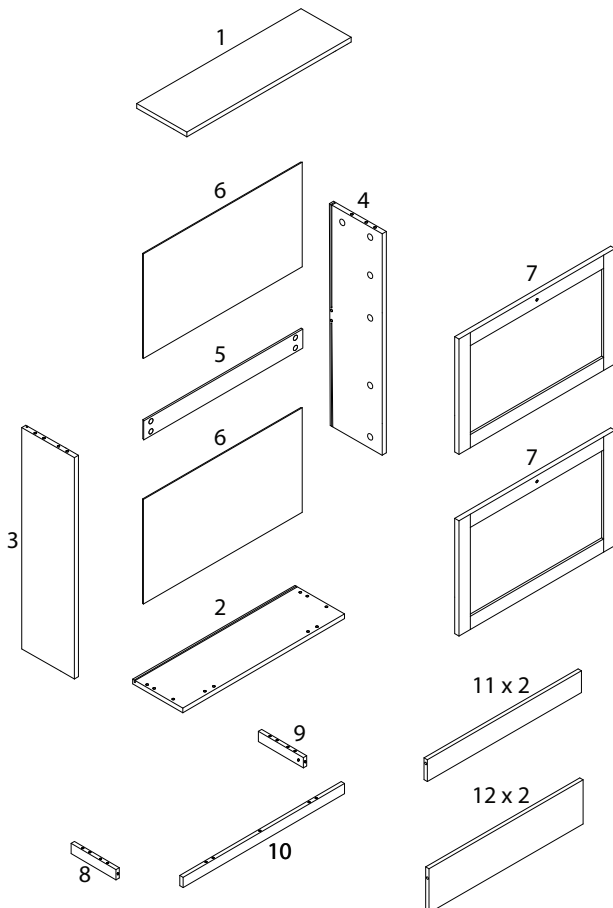
45'



2

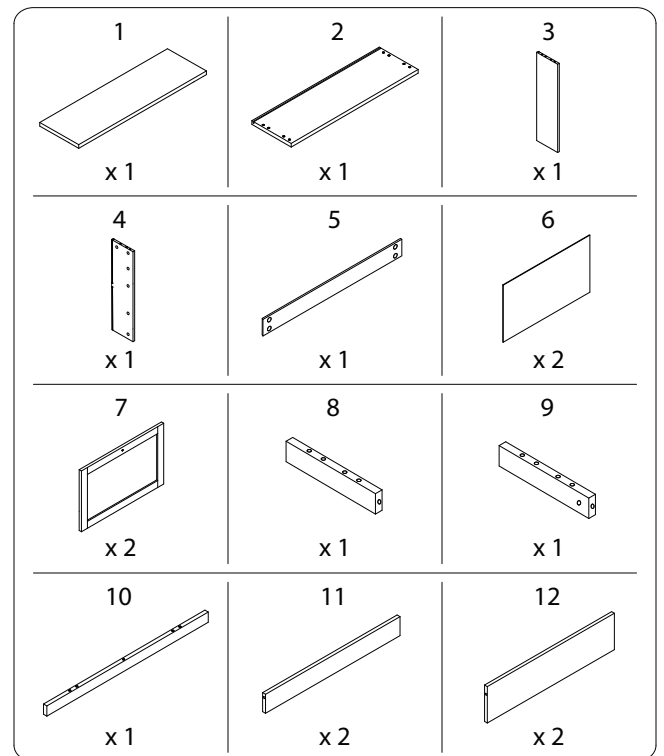
1/16

2916/CHELAN/210126/











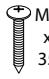



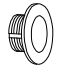
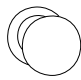


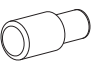

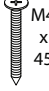

2/16

2916/CHELAN/210126/



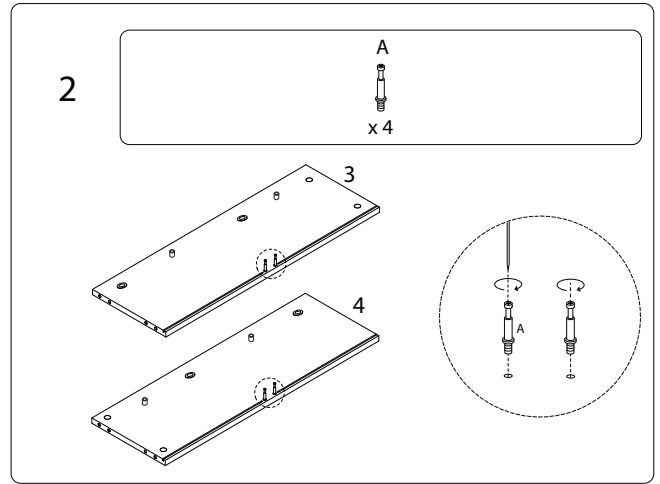
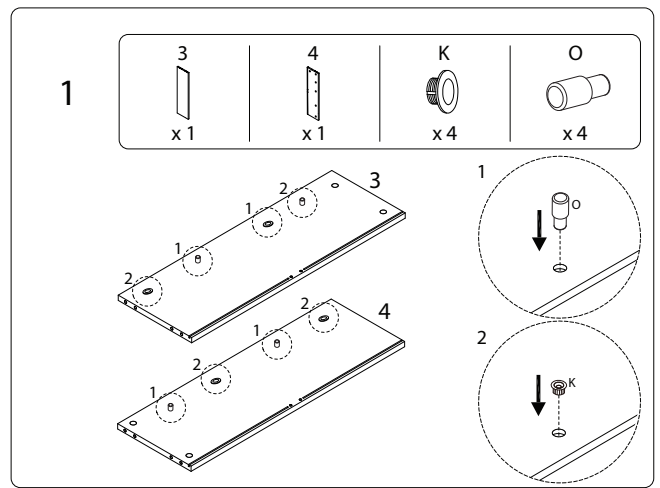
3/16

2916/CHELAN/210126/

A  x 10	B  x 10	C  x 12	D  x 2
E  x 4	F  x 4	G  x 16	H  x 8
J1  x 2	J2  x 2	J3  x 2	J4  x 2
K  x 4	L  x 2	M  x 2	N  x 2
O  x 4	P  x 8	Q  x 5	U  x 8

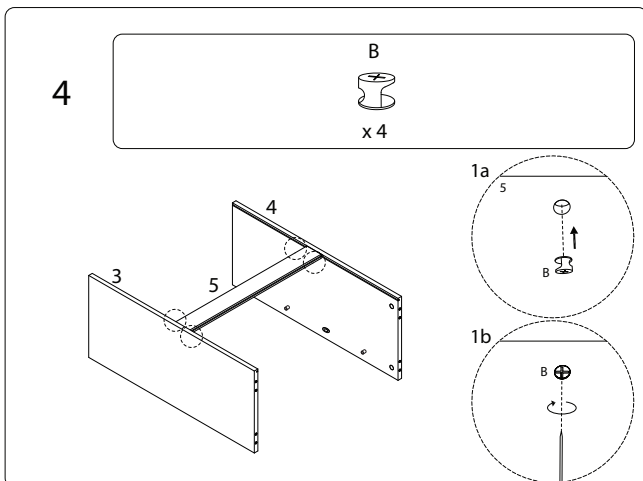
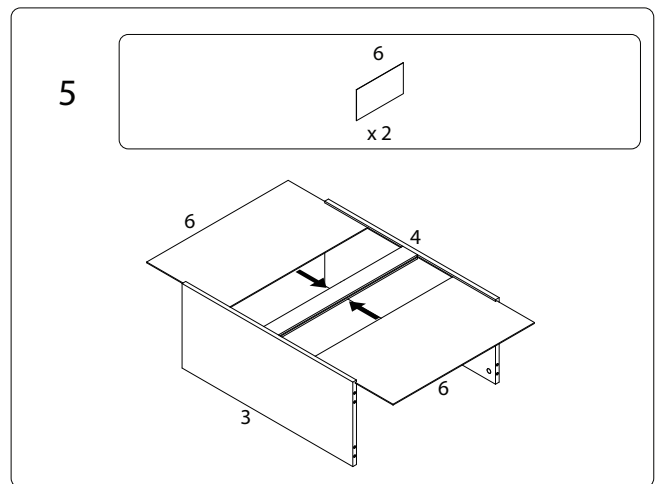
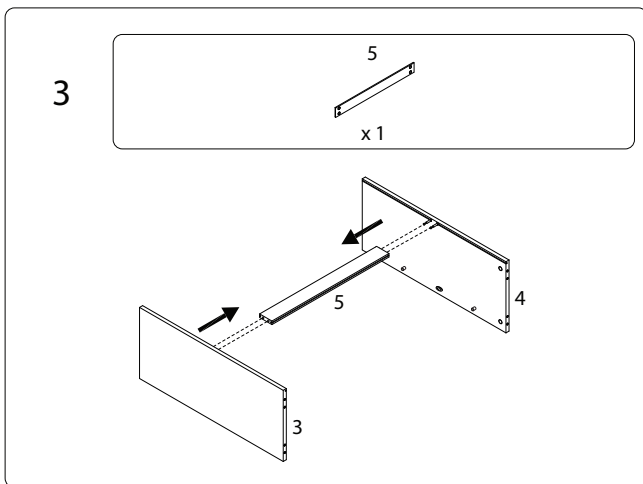
4/16

2916/CHELAN/210126/



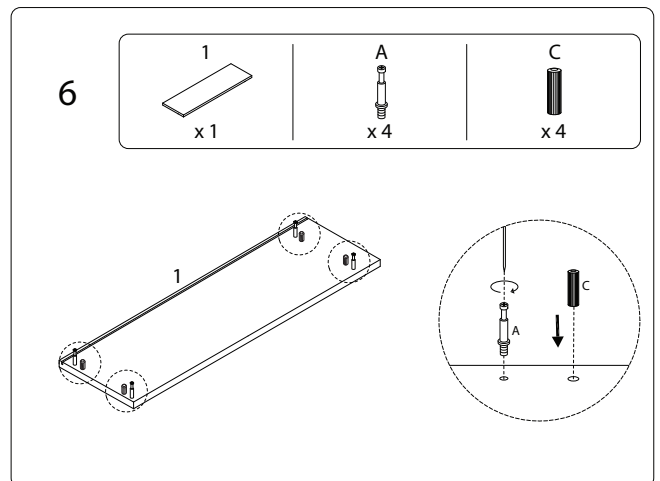
5/16

2916/CHELAN/210126/



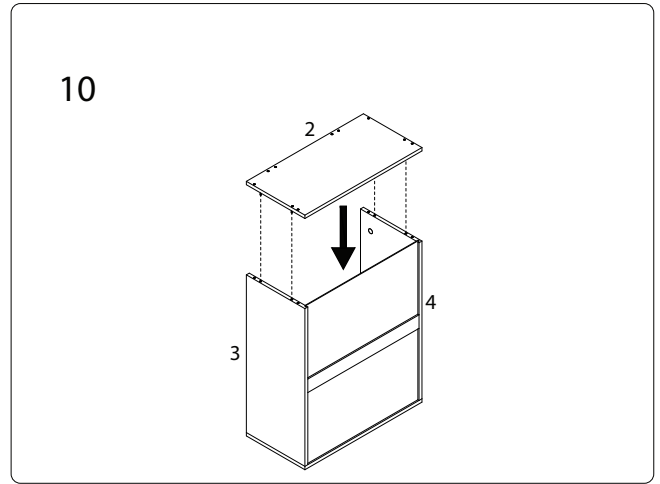
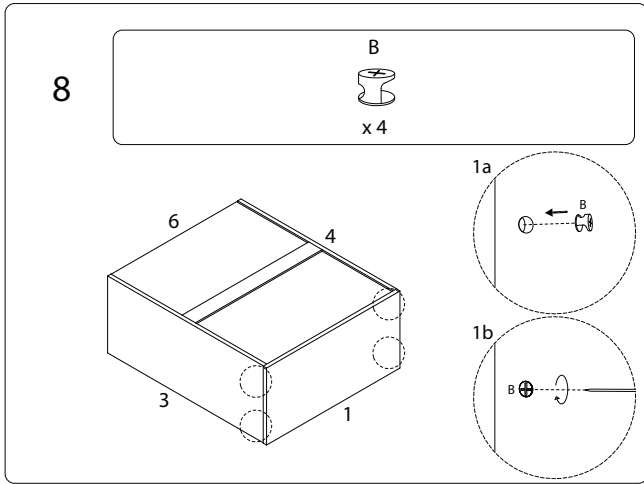
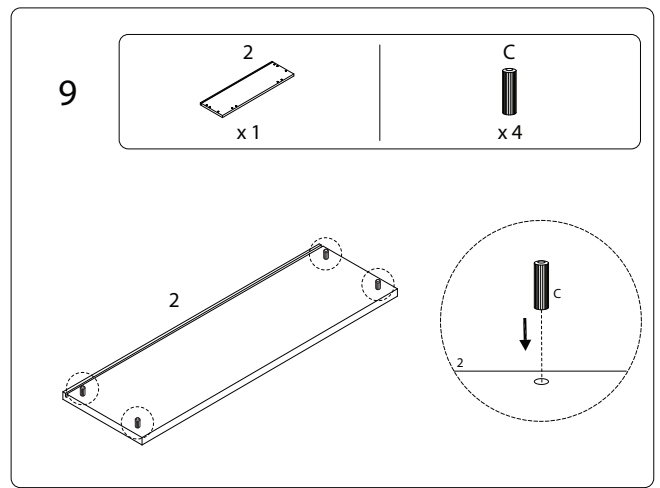
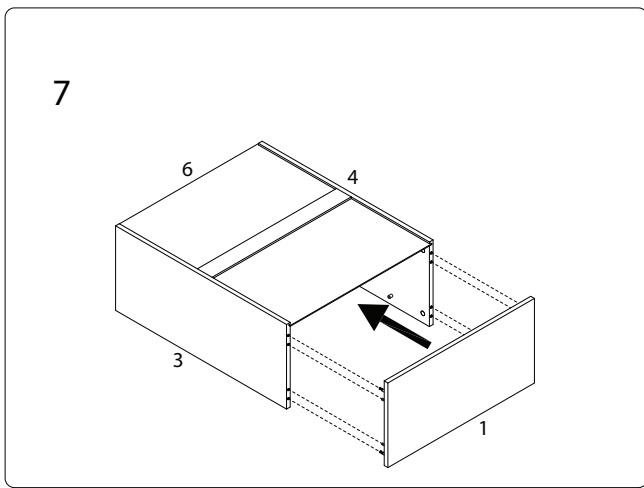
6/16

2916/CHELAN/210126/



7/16

2916/CHELAN/210126/

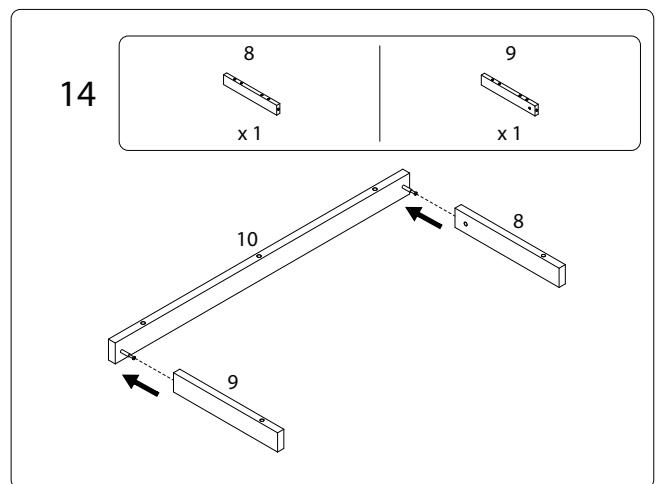
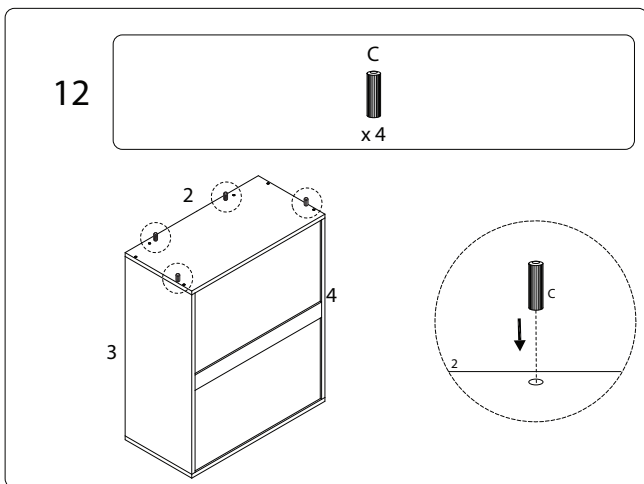
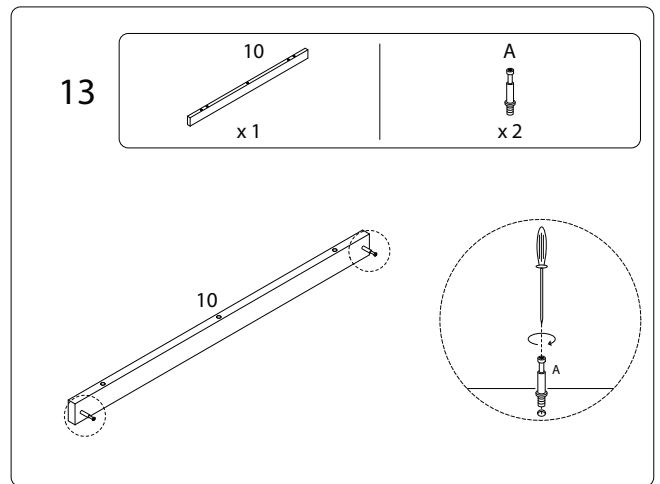
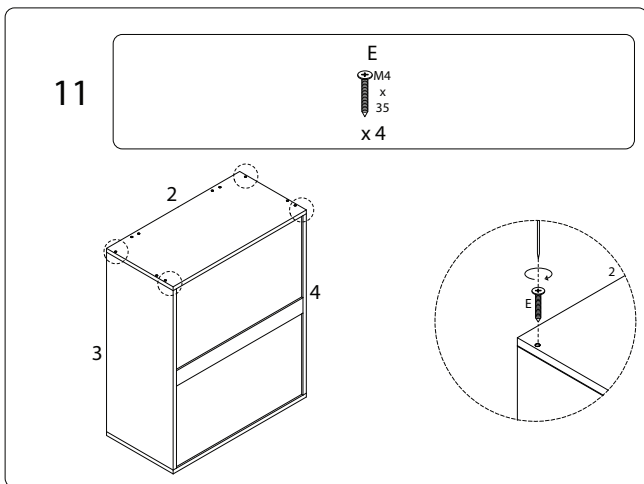


8/16

2916/CHELAN/210126/

9/16

2916/CHELAN/210126/

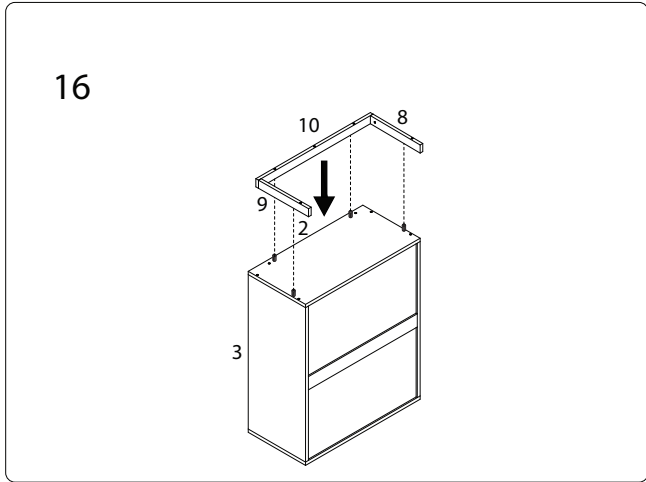
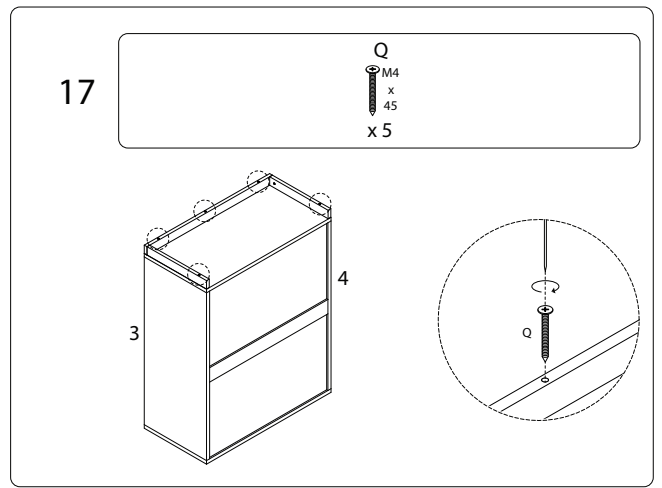
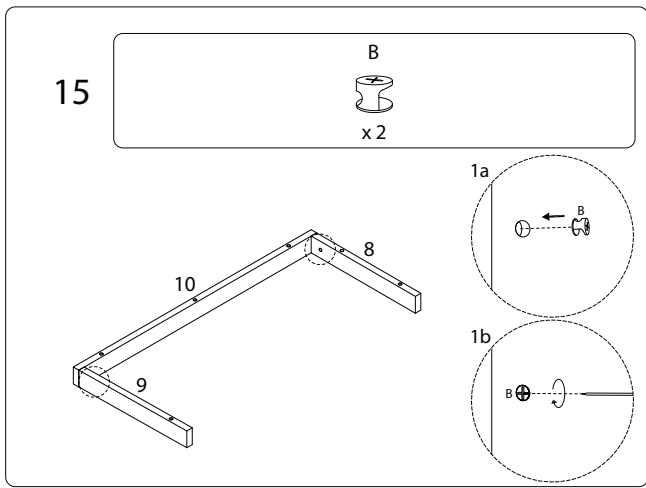


10/16

2916/CHELAN/210126/

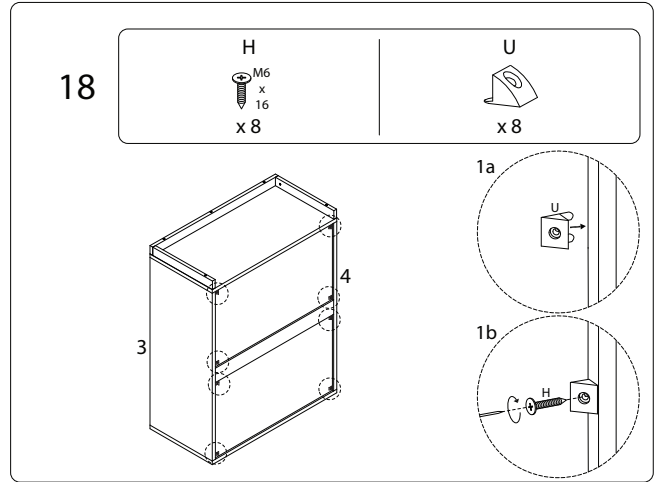
11/16

2916/CHELAN/210126/



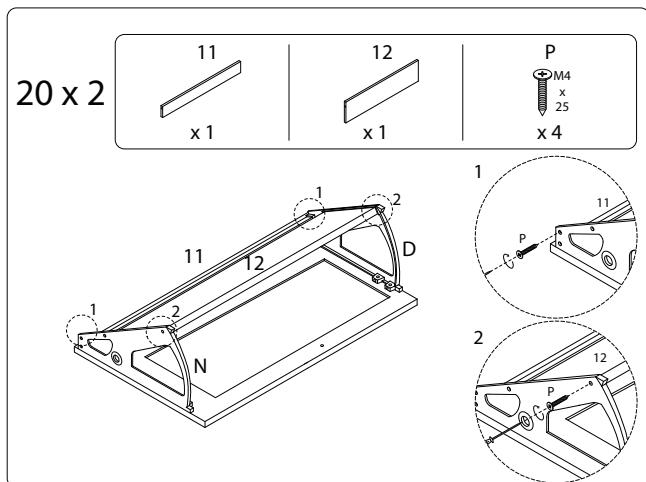
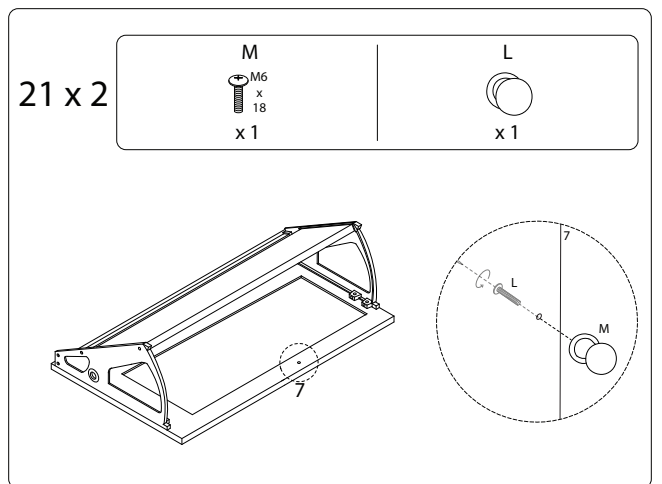
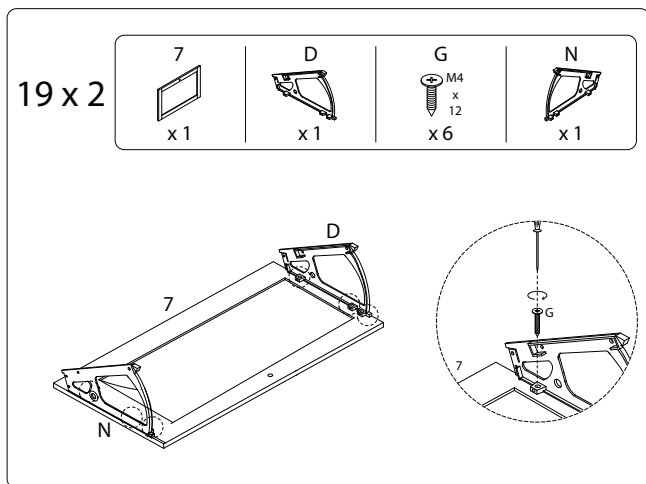
12/16

2916/CHELAN/210126/



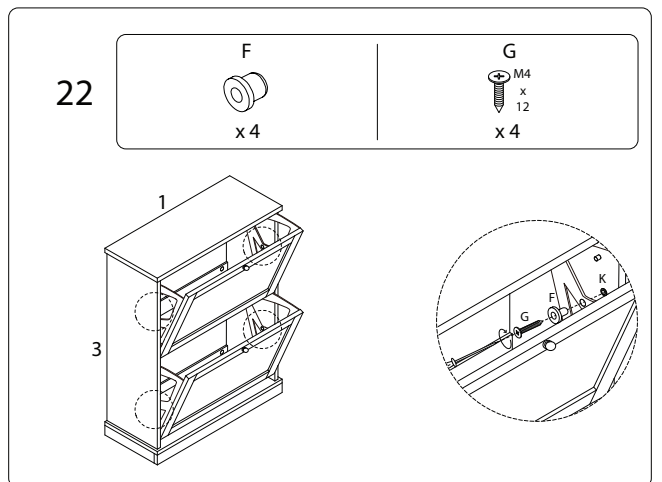
13/16

2916/CHELAN/210126/



14/16

2916/CHELAN/210126/



15/16

2916/CHELAN/210126/

23

J ₁ M4 x 35 x 2	J ₂ M2 x 10 x 2	J ₃ x 2	J ₄ x 2
-------------------------------------	-------------------------------------	-----------------------	-----------------------

